

MODUL^LARO

Manual

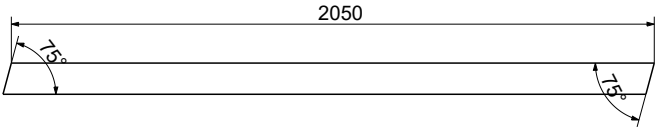
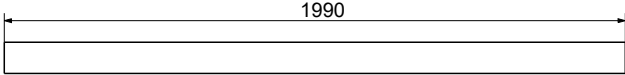
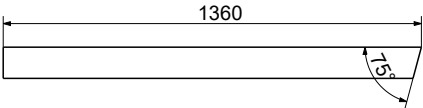
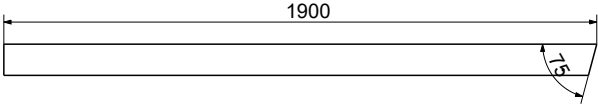
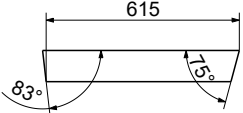
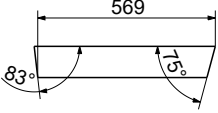
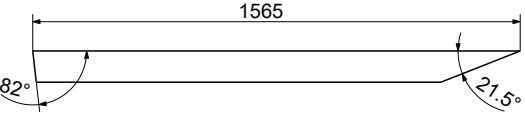
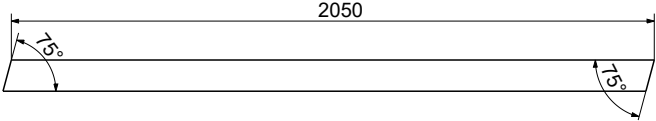
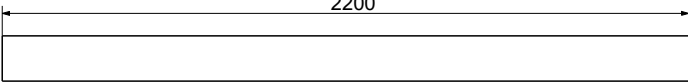
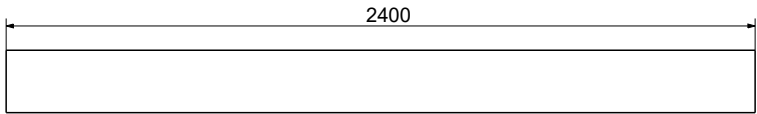
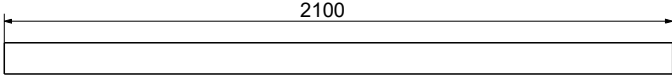


for

Wooden Shelter Montane

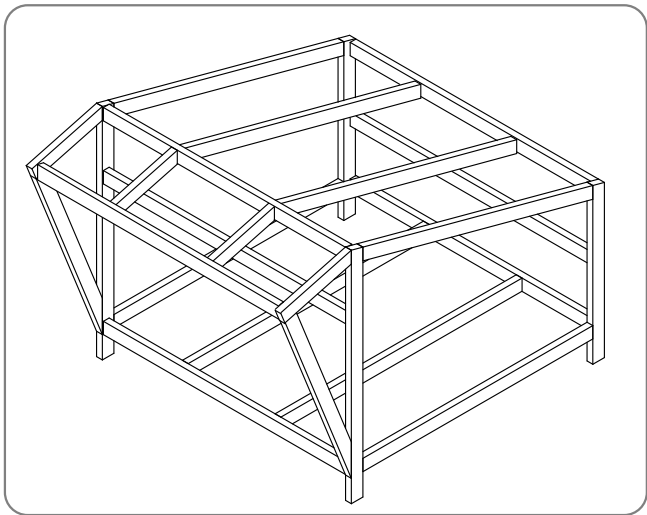
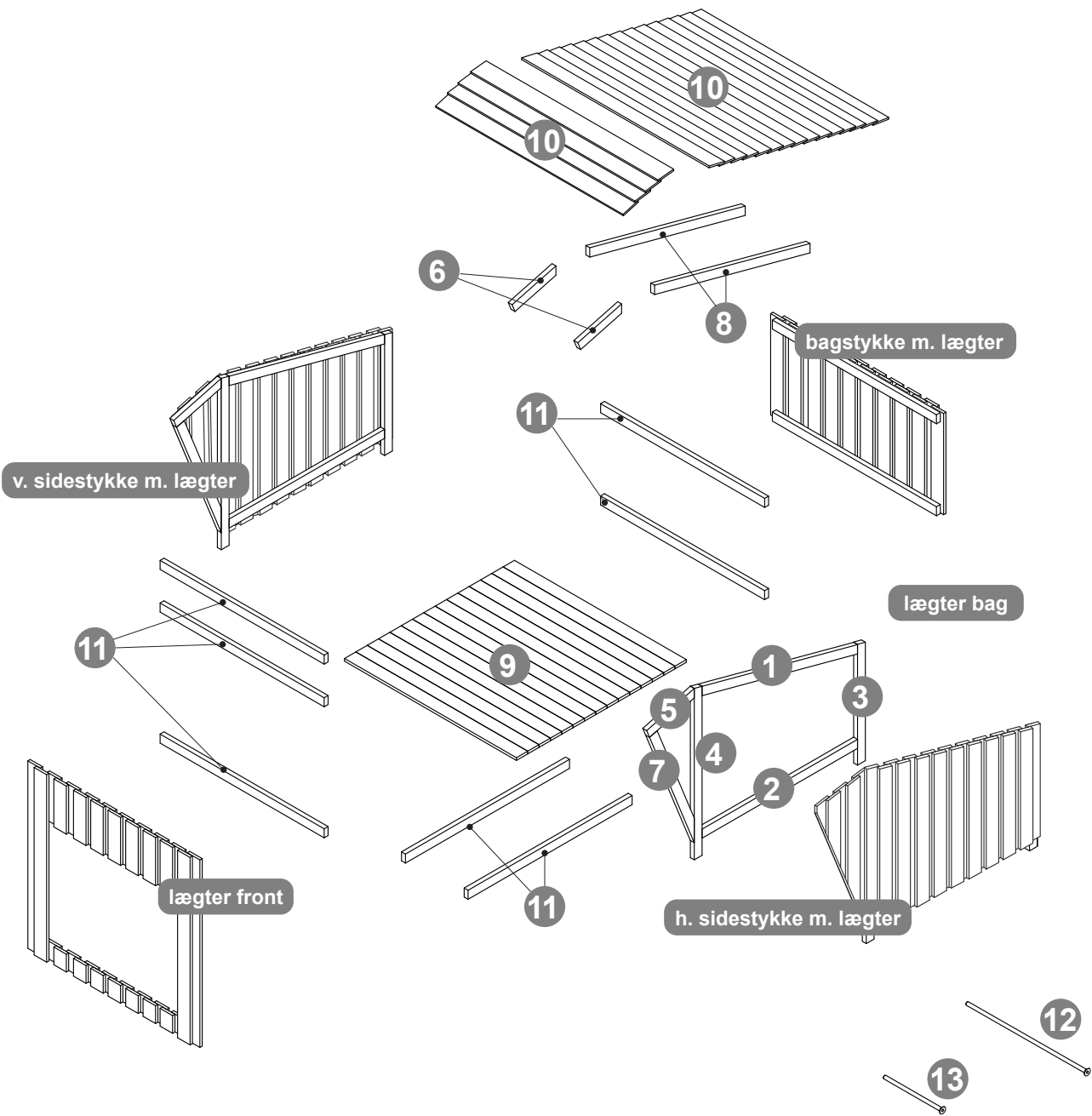
2,4x3x1,95 m

Materialer

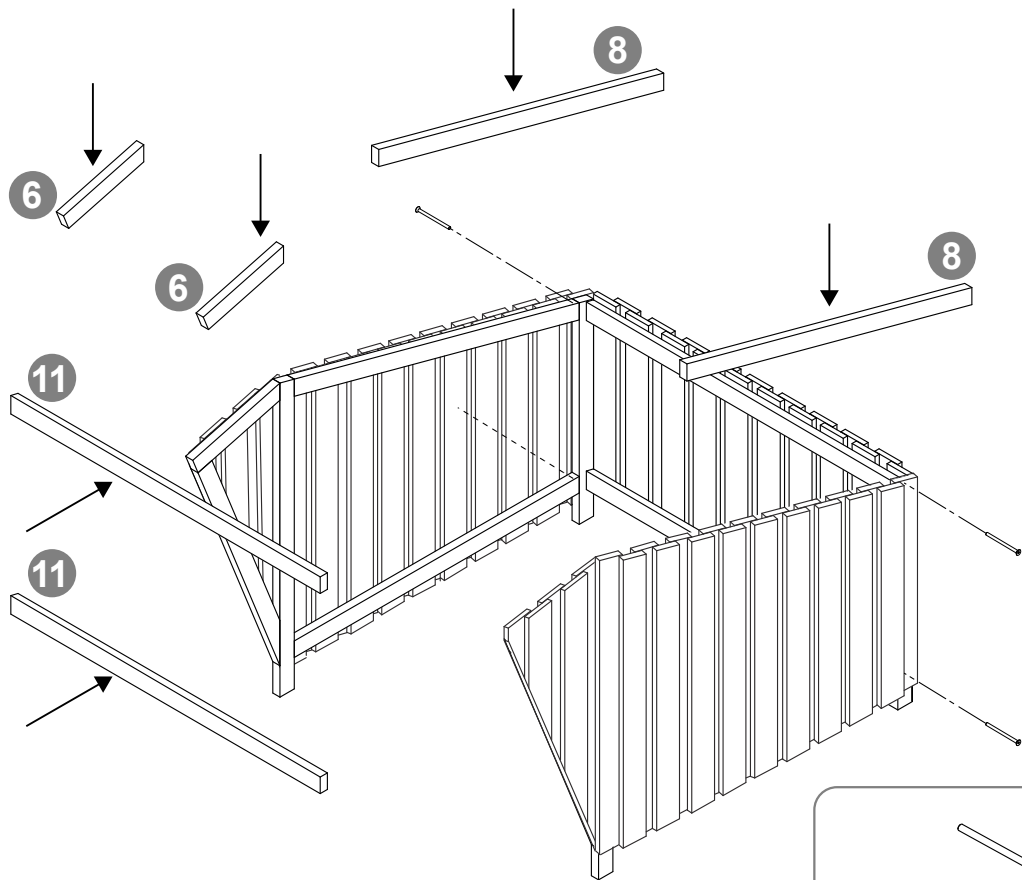
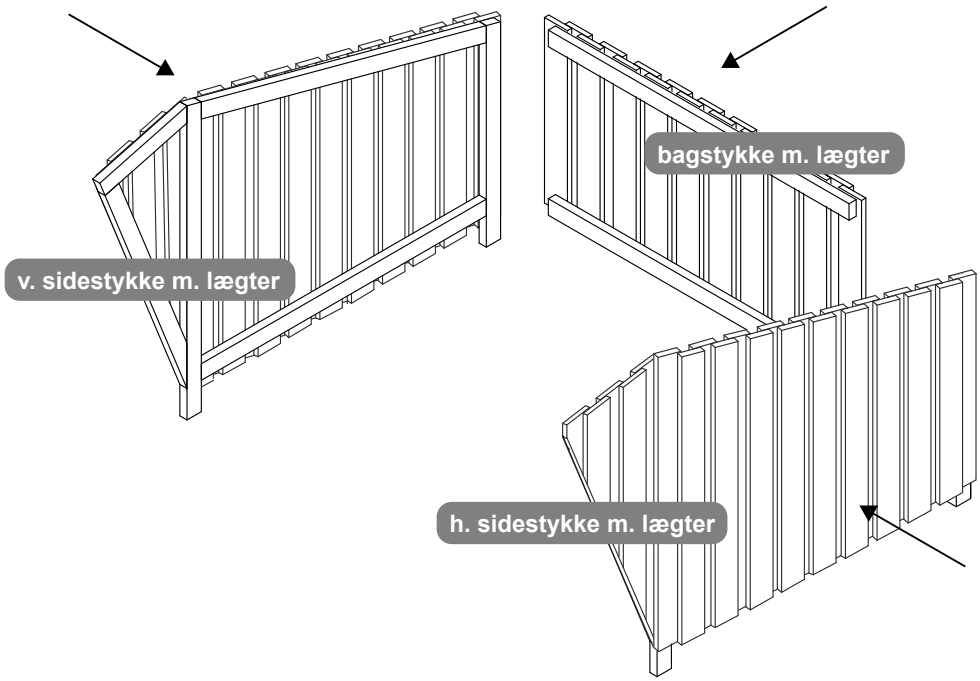
mål i mm

pos.nr.	målskitse	dim.	antal
1		50x100	2 stk
2		50x100	2 stk
3		50x100	2 stk
4		50x100	2 stk
5		50x100	2 stk
6		50x100	2 stk
7		50x100	2 stk
8		50x100	2 stk
9		30x145 <i>gulvbrædder</i>	15 stk
10		19 x 200-250 <i>tagbrædder</i>	15 stk
11		50x100	8 stk
12		Skruer 5x180	40 stk
13		Skruer 4,5x60	500 stk

Shelter montage

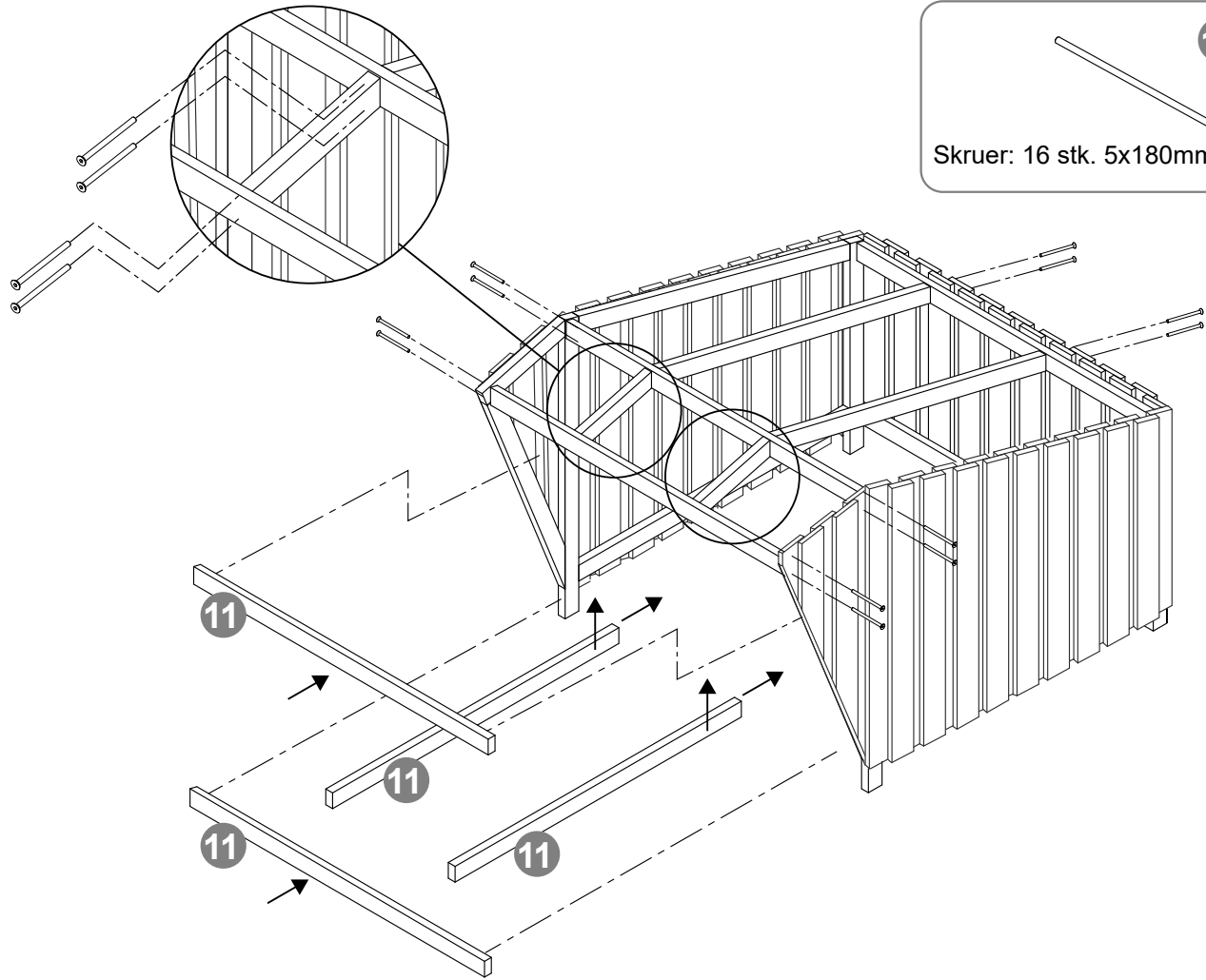


Shelter montage

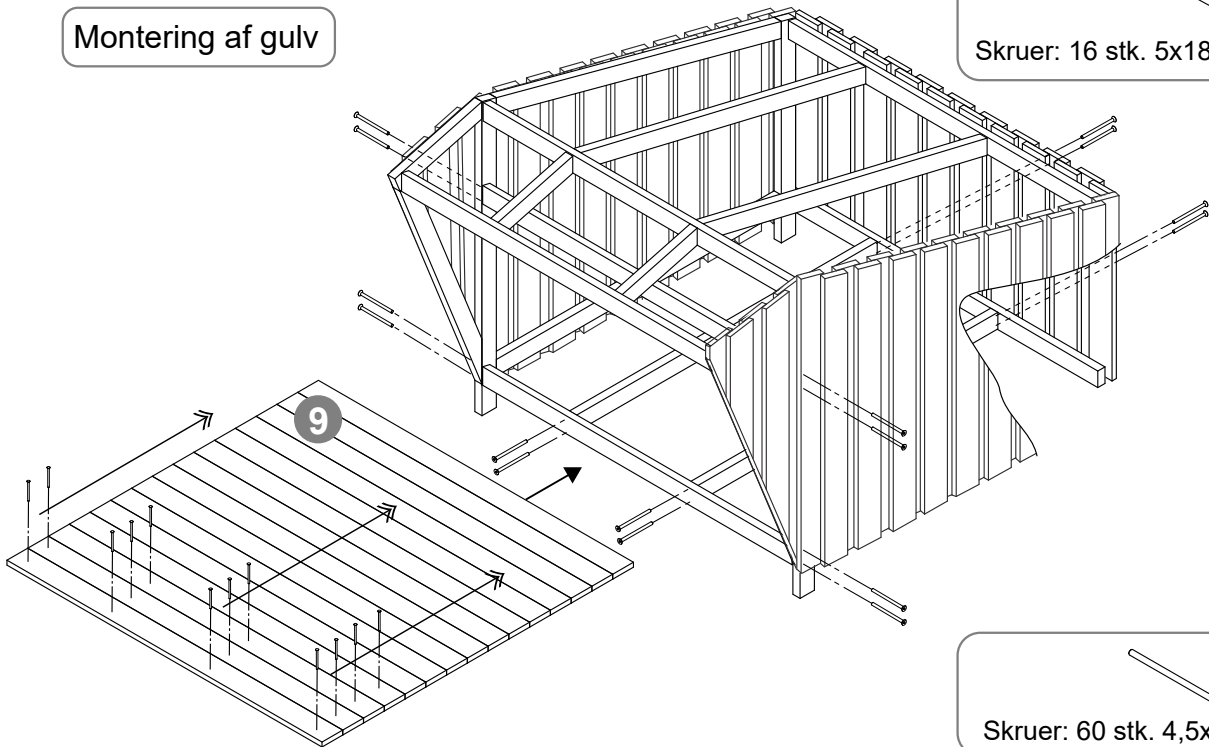


Skruer: 4 stk. 5x180mm

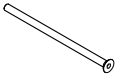
Shelter montage



Montering af gulv

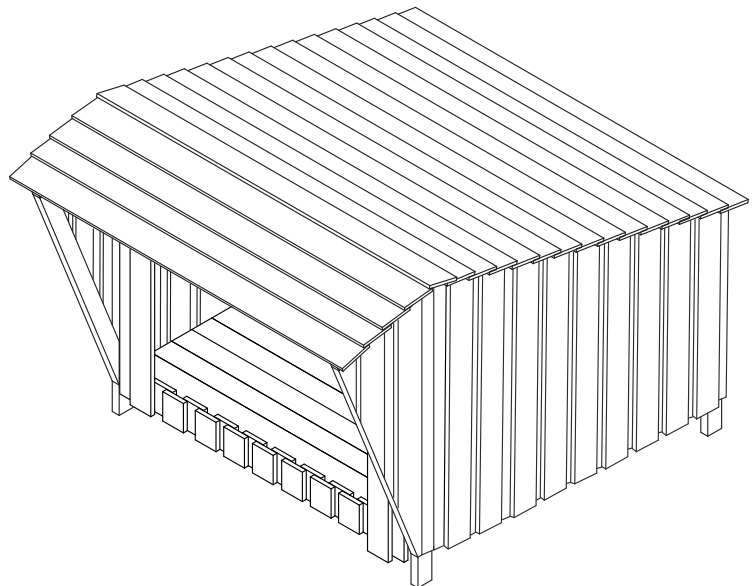
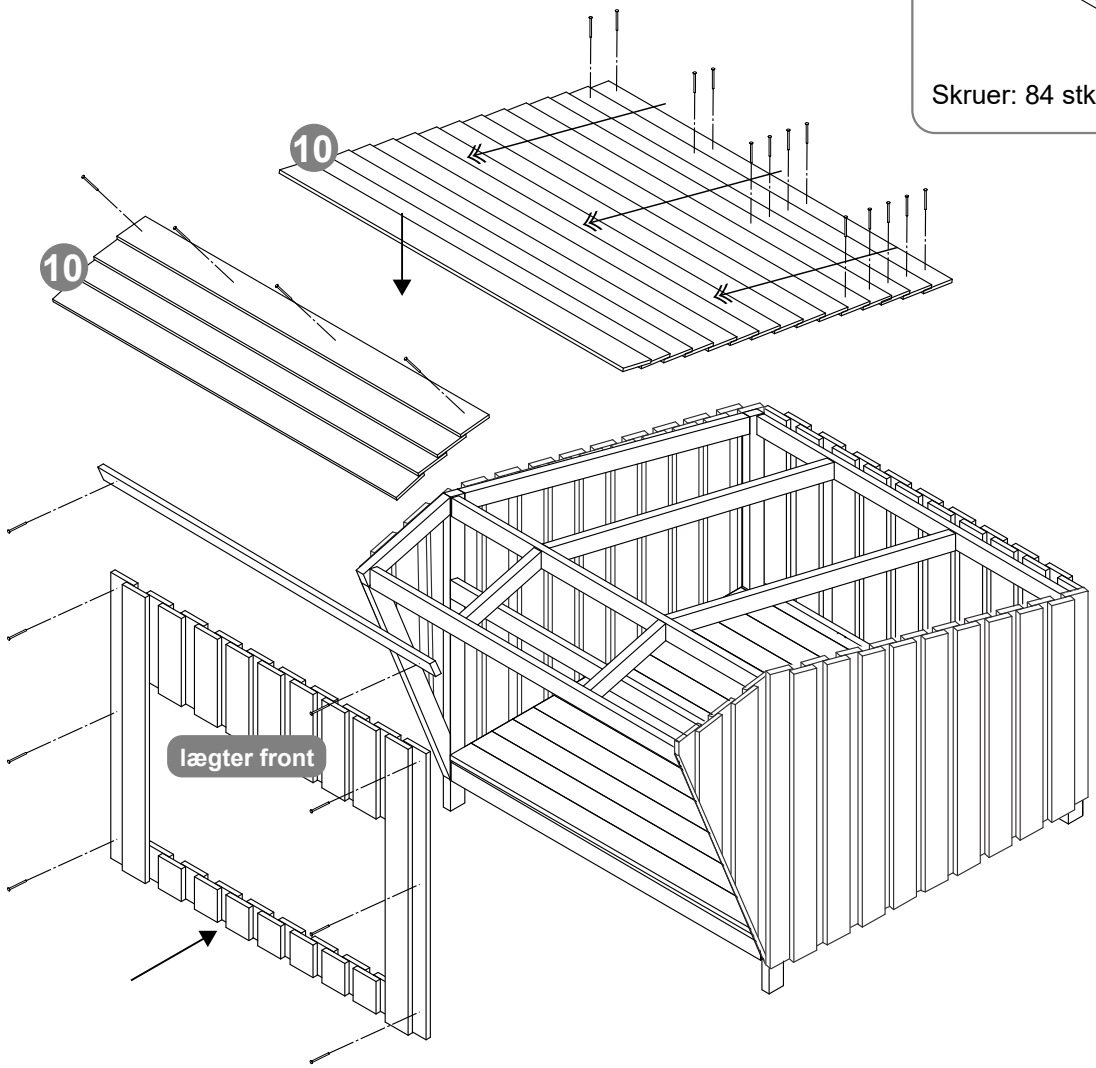


Shelter montage



13

Skruer: 84 stk. 4,5x60mm



Contact information

Head office:

Dancover A/S
Lyngevej 16A, Nørre Herlev
3400 Hillerød
Denmark

For more information
please visit:

www.dancovershop.com

National contact

Denmark:

denmark@dancover.com

UK:

uk@dancover.com

Germany:

germany@dancover.com

France:

france@dancover.com

Sweden:

sverige@dancover.com

Finland:

suomi@dancover.com

Poland:

polska@dancover.com

Luxembourg:

luxembourg@dancover.com

Portugal:

portugal@dancover.com

Spain:

espana@dancover.com

Italy:

italia@dancover.com

Switzerland:

schweiz@dancover.com

Austria:

austria@dancover.com

Norway:

norge@dancover.com

Nederland:

nederland@dancover.com

Ireland:

ireland@dancover.com

Belgium:

belgique@dancover.com