

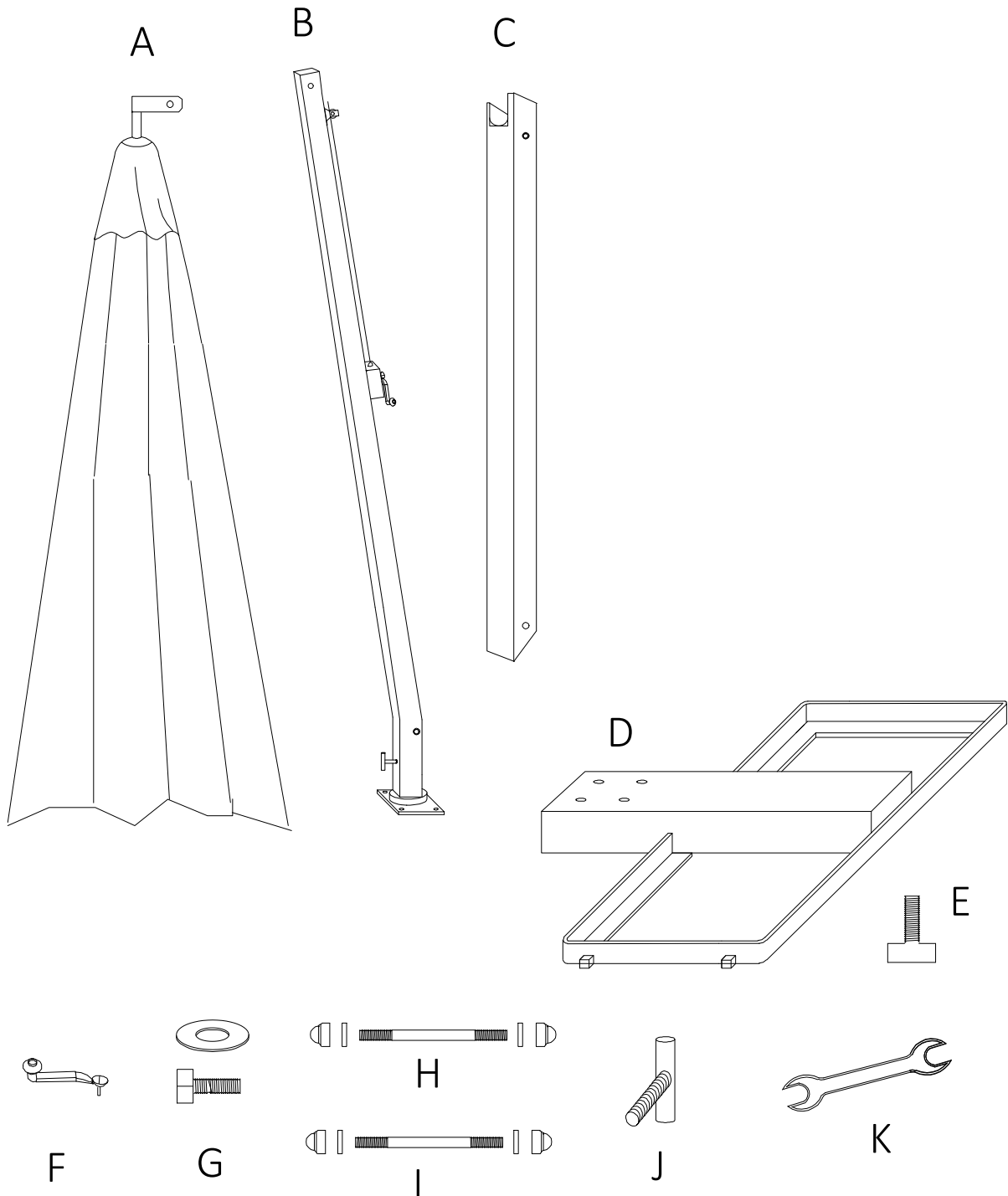
DANCOVER[®]

.com

Manual
for
Cantilever Parasol Havana
3,5x3,5m
and
Cantilever Parasol Antigua
3x4m

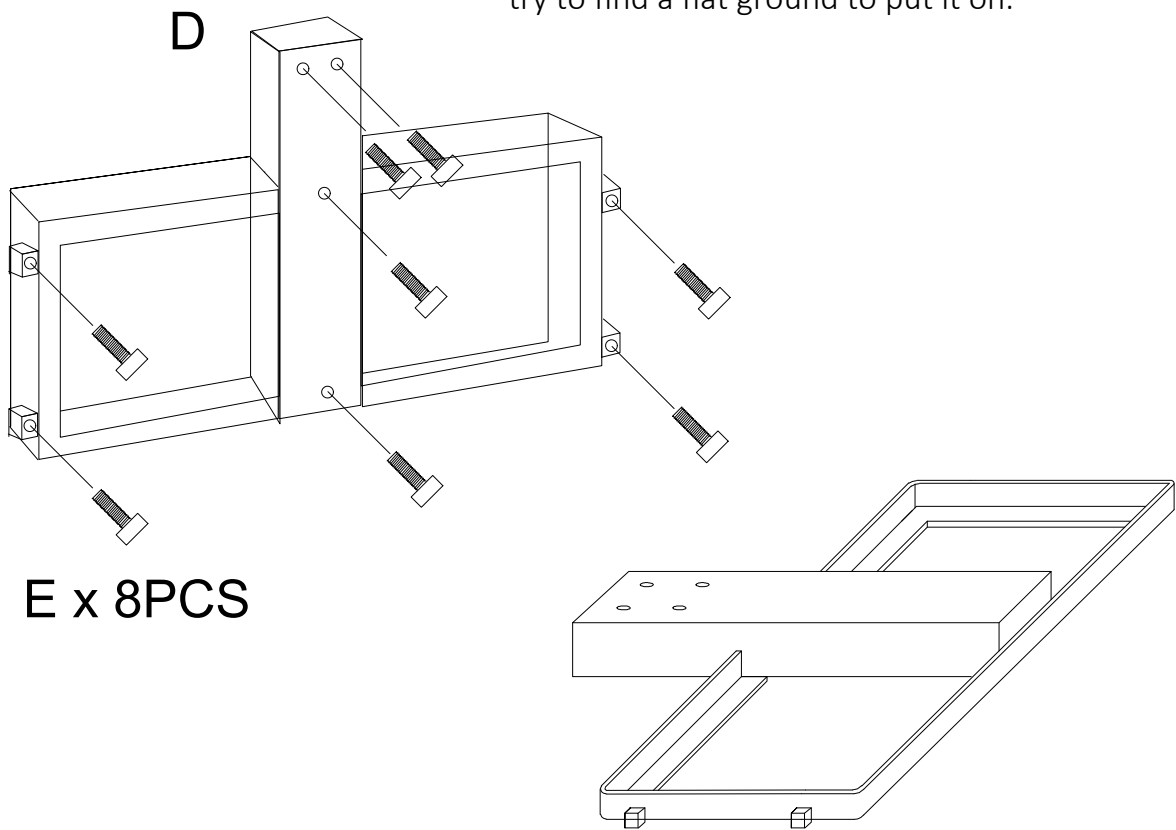
CANTILEVER PARASOL ASSEMBLY PART LIST

PART	DESCRIPTION	PART	DESCRIPTION
A	PARASOL - 1PC	G	M10*25MM BOLTS,WASHERS&NUTS - 4SETS
B	UPRIGHT POST - 1PC	H	M10*95MM BOLT, WASHERS&NUTS - 1SET
C	HANGING POST - 1PC	I	M10*120MM BOLT, WASHERS&NUTS - 1SET
D	BASE'S METAL FRAME - 1PC	J	"T" SHAPE TIGHTENING BOLT - 1PC
E	FEET - 8PCS	K	SPANNERS - 2PCS
F	WINCH HANDLE - 1PC		



Step 1:

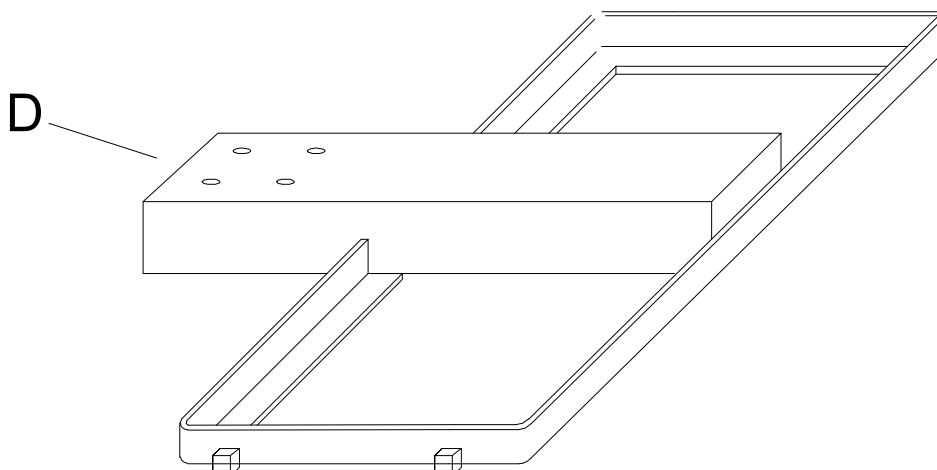
Fixing the 8 feet (E) into the base's metal frame (D),
try to find a flat ground to put it on.



Step 2:

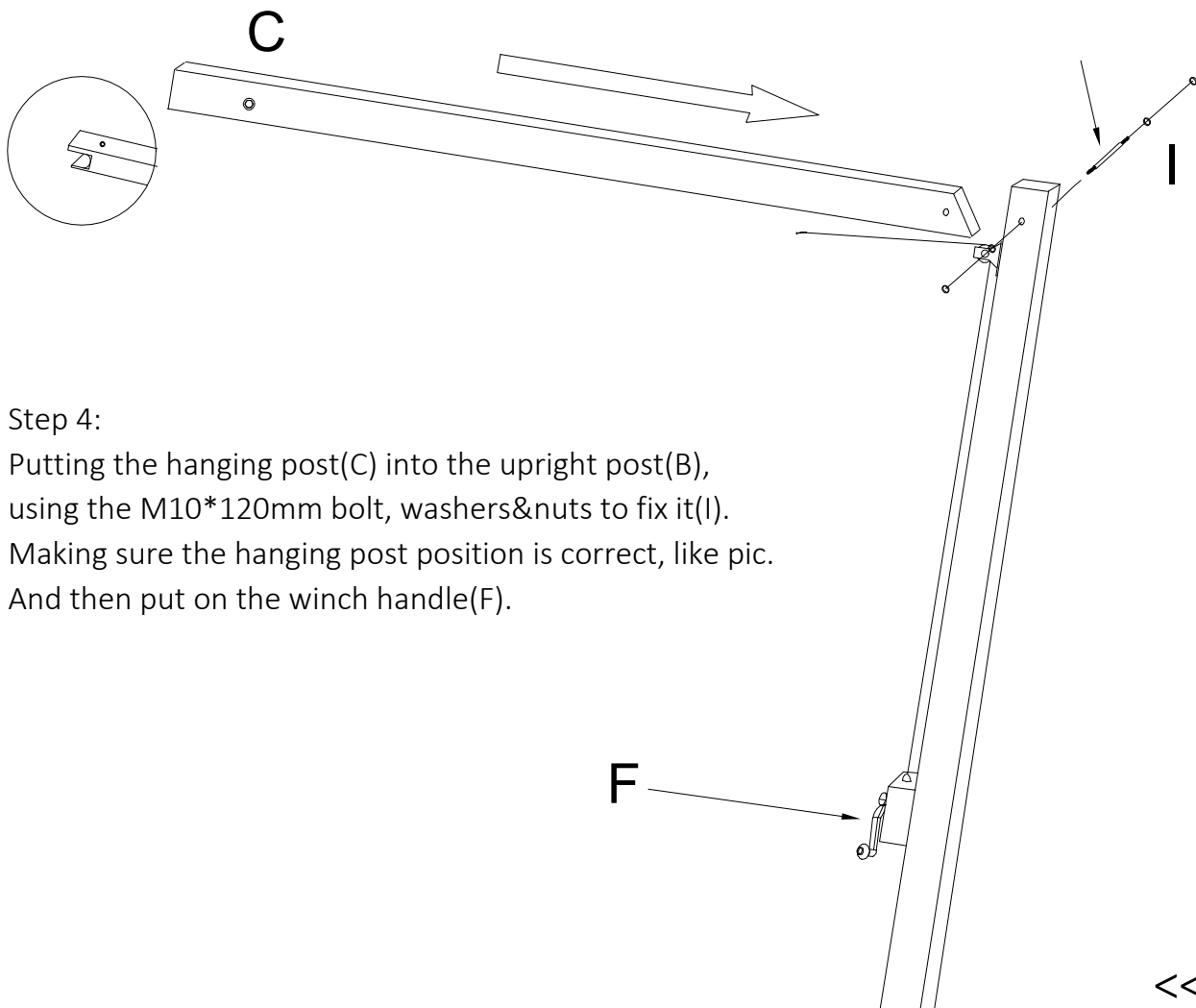
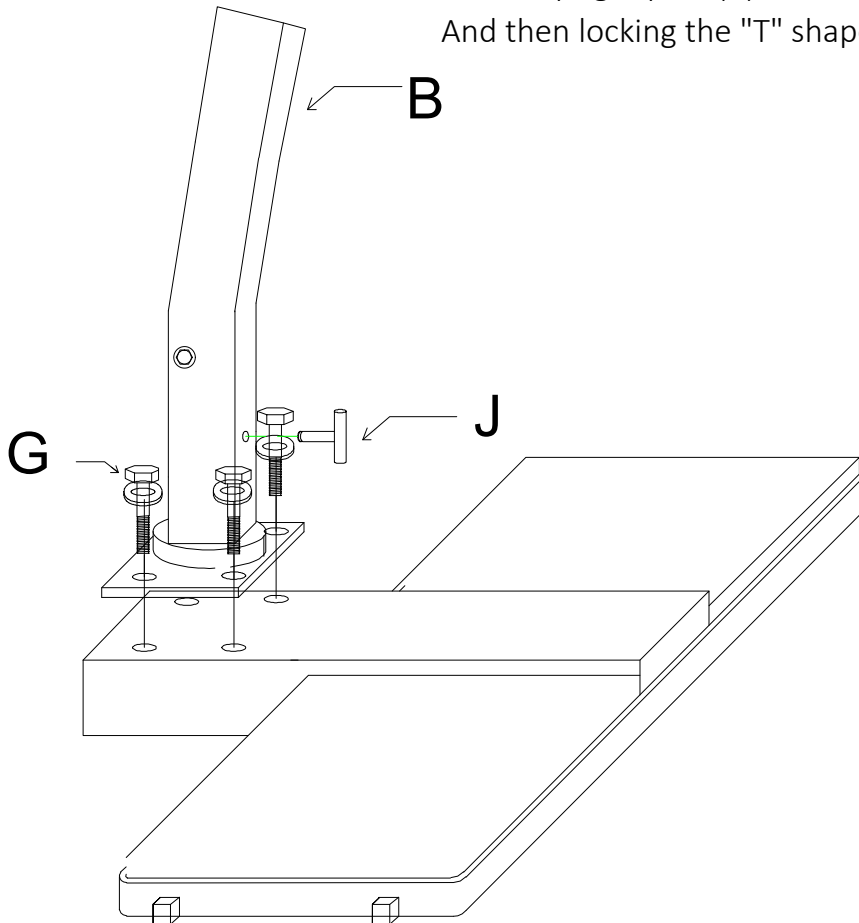
Once you confirmed the parasol position,
putting the base into base's frame (D).

Parasol base/ballast not included.



Step 3:

Using the 4bolts and washers(G) to fix the upright post (B) into the base's metal frame (D),
And then locking the "T" shape tightening bolt(J).

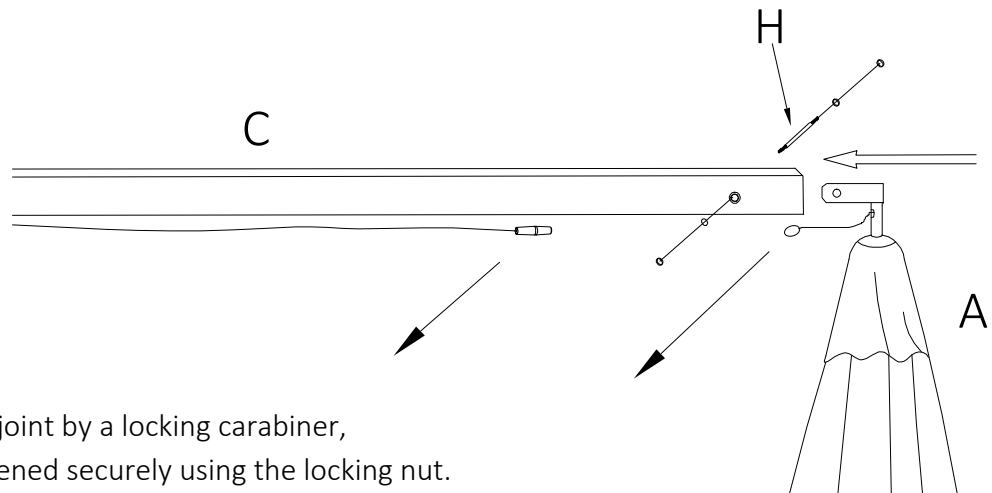


Step 4:

Putting the hanging post(C) into the upright post(B),
using the M10*120mm bolt, washers&nuts to fix it(I).
Making sure the hanging post position is correct, like pic.
And then put on the winch handle(F).

Step 5:

Raising up the parasol(A), putting into the hanging post(C), using the M10*95mm bolt, washers&nuts(H) to fix it.

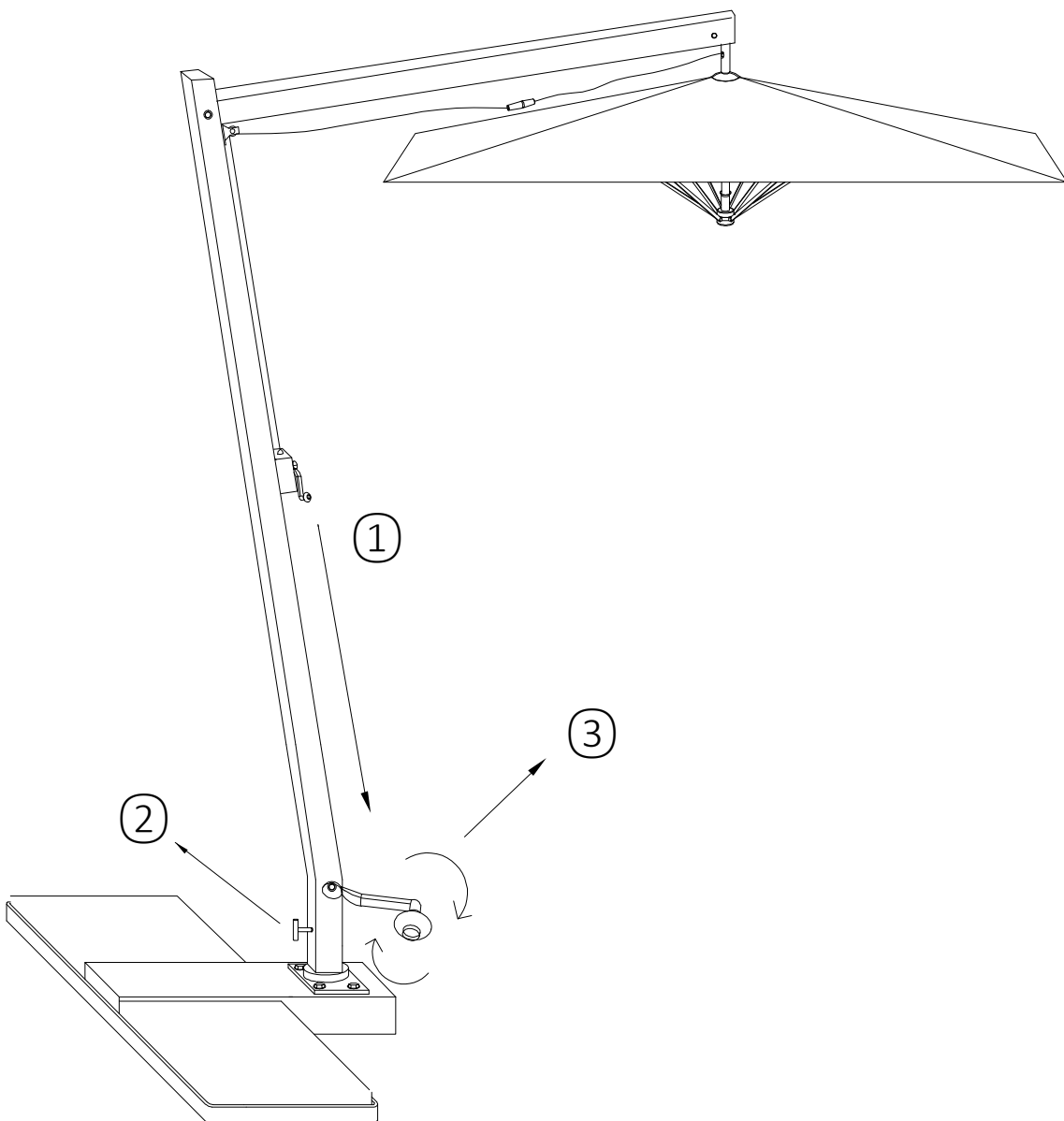


Step 6:

The wire loops are joint by a locking carabiner, which must be fastened securely using the locking nut. Finally, secure the end-cap on the end of the tube

Rotating Step:

- ① Take off the winch box handle, put into the upright pole's rotation hole;
- ② Unlocked the "T" shape tightening bolt in the upright pole;
- ③ Turning the handle, make sure the parasol in right position, locking back the "T" shape tightening bolt, and then take off the handle.



Contact information

Austria



Belgium



Croatia



Denmark



Estonia



Finland



France



Germany



Ireland



Italy



Latvia



Lithuania



Nederland



Norway



Poland



Portugal



Spain



Sweden



Switzerland



UK

