

**DANCOVER**



Shelter

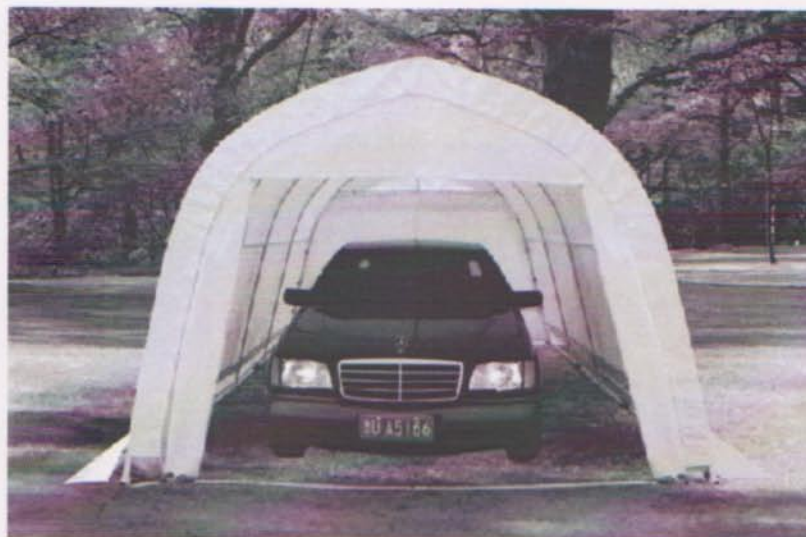
Installation manual

**Model#Basic-1224**

**L7.10 × W3.66 × H2.60m**

www.**DANCOVER**.com

Phone+45 70 26 76 20



# **Assembly Illustration**

**Model# Basic-1224**

For "User Friendly" assembly we have identified each individual component with our part code number as indicated in the parts list. Please refer to the part code numbers and drawings to ensure problem free assembly. In the meanwhile please note the direction marks on the 4 way fittings.

## Part list of Basic-1224

Part code	Description	Quantity
R1-R4	Square Tube sections for Base Rail	one set each (4pcs.)
L1-L4	Square Tube sections for Base Rail	one set each(4pcs.)
1	Curved 3 way roof fittings	2
2	Curved 4 way roof fittings	3
3	Straight 3 way upper side wall fittings	4
4	Straight 4 way upper side wall fittings	6
5	Curved Roof Tubing(ends with screw flanges)	4
5B	Curved (inner) Roof Tubing(without screw flanges)	6
6	Horizontal wall and roof purlins	12
7	Vertical side wall tubes	10
8	Cross Tube for Zipper Door (2pcs. set at each end)	2sets
9	Vertical Support Tube for Cross Tube over the doors	2
10	Insert Adapter for Joining Base Rail sections	12
11	Base Rail Cross Brackets for each end(2pcs. Per set)	2sets
11A	Base Rail Cross Brackets for center(2pcs. Per set)	1set
12	Connection screw M10x20mm for base rail cross brackets	6
13	Connection screw M8x70 mm	28
14	Stake peg	9
	(Including drawing of stake peg over the actual peg hole )	
15	Earth Auger	16
16	Tie Down Ratchets	12
17	Plastic cap	4
18	Connection screw M8x20mm for cross tubes over the doors	6
19	Roof cover	1
20	Lower Roof Cover Tensioning Tube (4pcs. Per set)	2sets
21	Nylon Bands for Tensioning Roof Cover	8
22	Top Flaps for above doors	2
23	Front and Rear Doors	2
24	"S" hooks for suspending front and rear doors	16
25	Elastic Ball Bungee Connectors	38
26	Reinforcing Snaps for zipper doors	4
27	Connection screw M6x40mm	4
	for vertical support tubes over the doors	
28	Plastic cap for tensioning tubes of roof cover	4
29	Connection screw M8x15mm	24
30	Wrench for Placing Earth Augers	1Set

L7.10 x W3.66 x H2.60M FRAME SKETCH

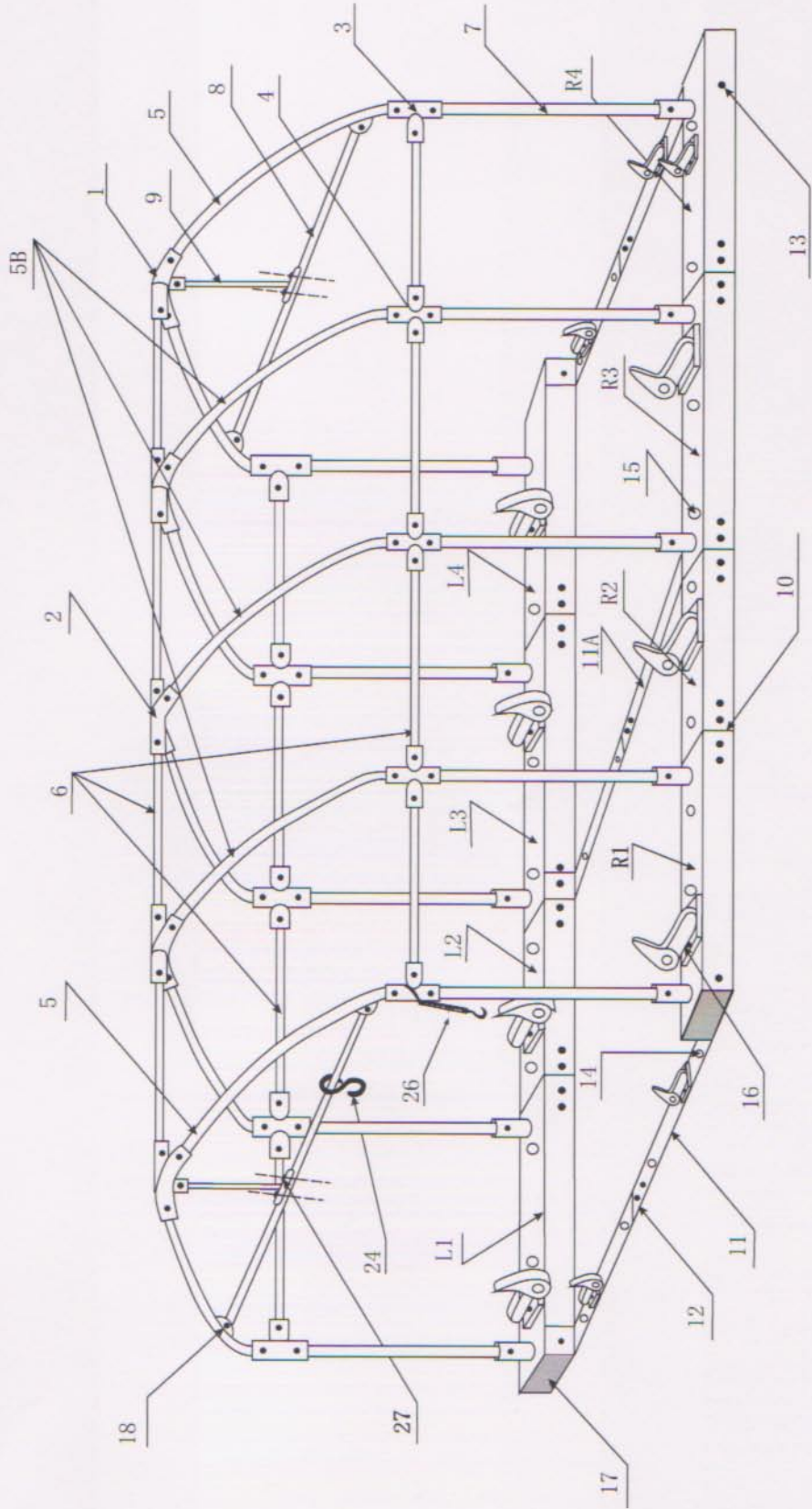
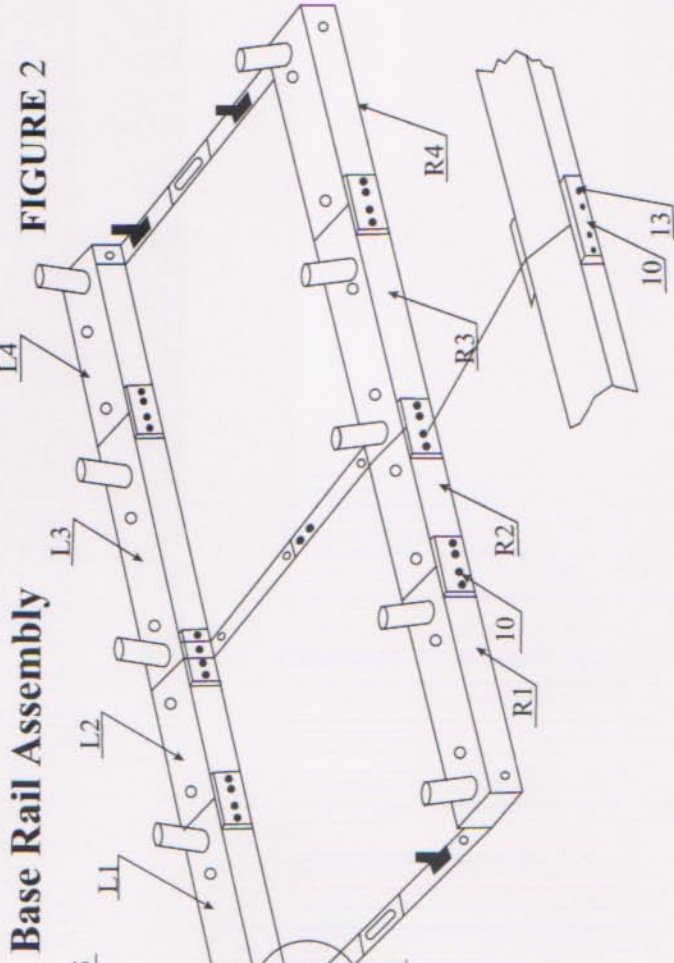


FIGURE 1



**FIGURE 2**

**Base Rail Assembly**

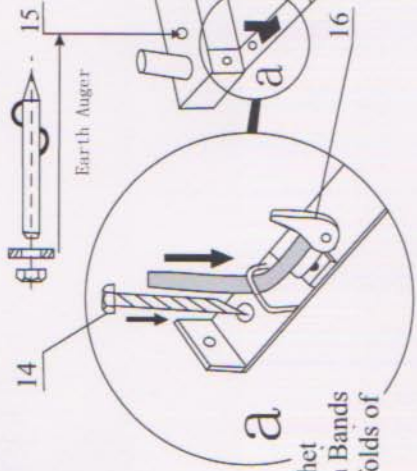
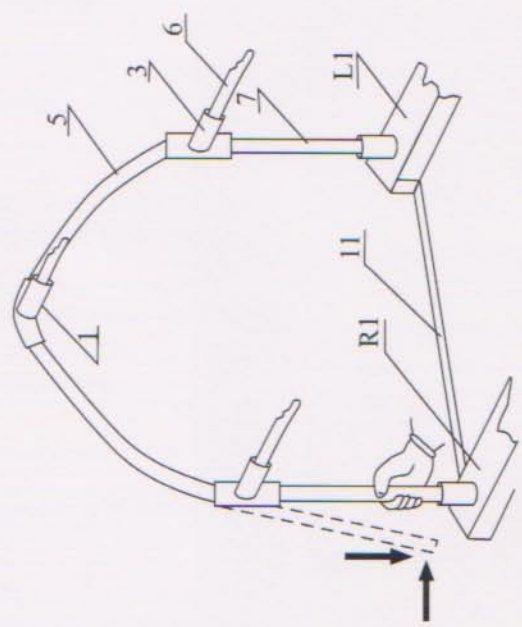


Illustration for Ratchet Tensioning the Nylon Bands in the front and rear folds of roof cover

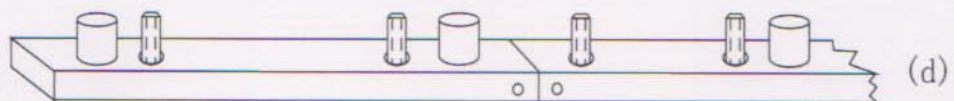
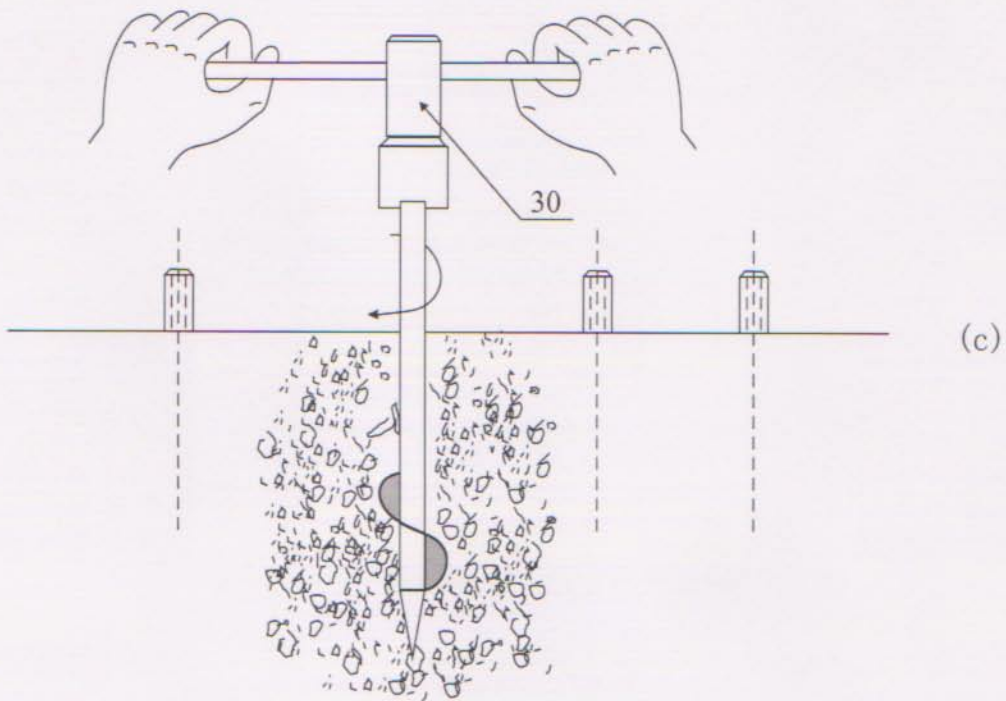
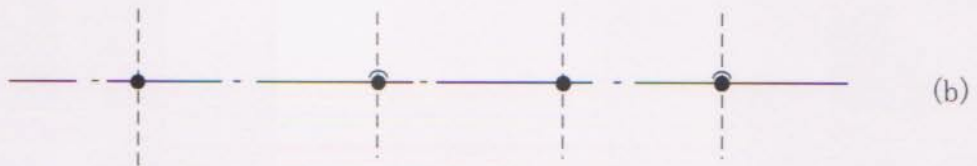
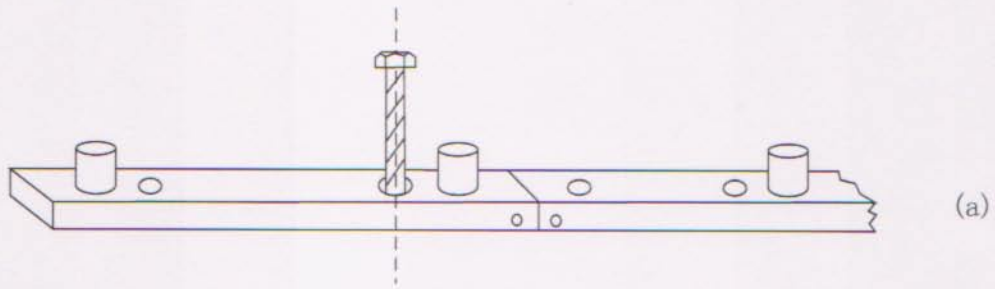


**"Torsion Locking" the Frame Component**

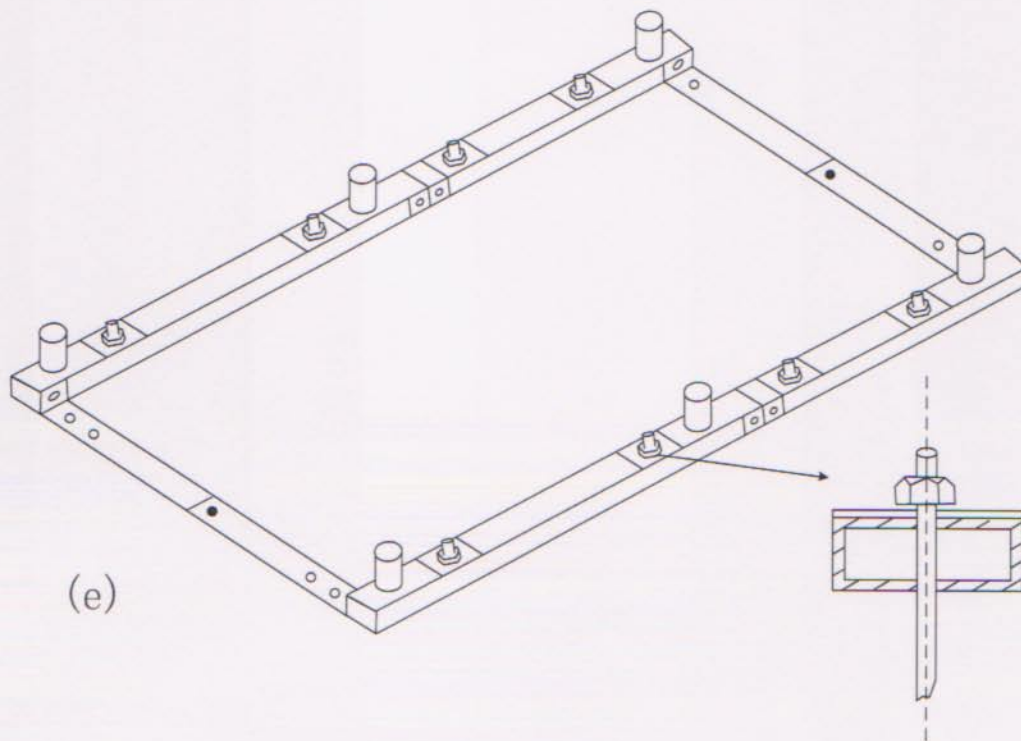
**FIGURE 3**

In order to keep some tension within frame, the width is large than 3.66m in free state. Pls push hard every group of sidewall to the receivers on the base rails as Figure 3 shows.

## Directions for placement of the Earth Augers



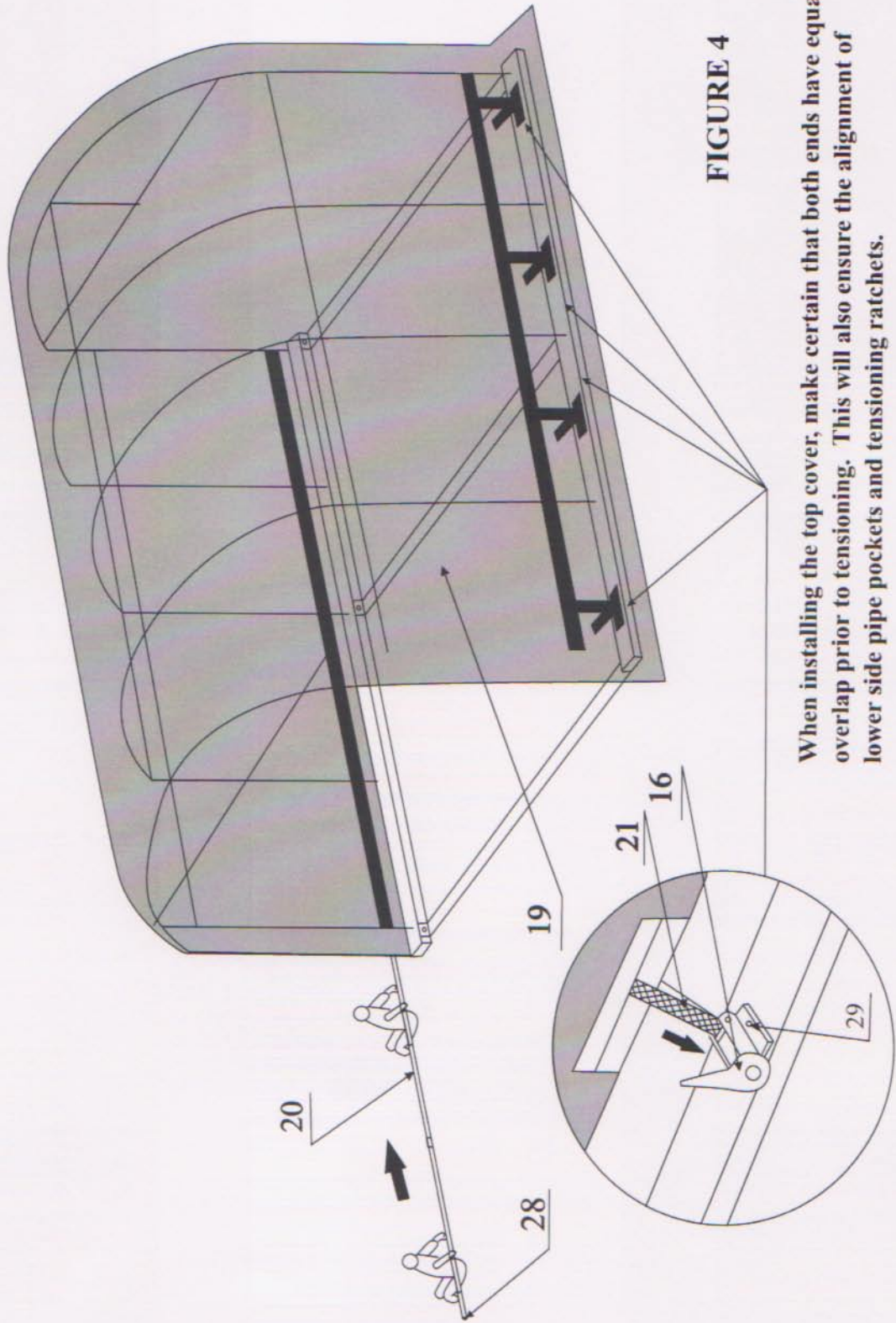
**Hint:** Please note that the Earth Augers are applicable in normal ground conditions. They are not suitable where the ground may be frozen, or where there may be presence of foreign objects such as rocks or concrete.



## Placement of earth augers

- (1) After assembly of the base rail system, mark the auger holes through the base rail by driving a stake page through the auger holes which will leave the impressions in the ground. These impressions will determine where the augers are then turned into the ground.
- (2) After all holes are marked, move the base to one side and expose all the impressions for the augers.
- (3) Using the specially designed spanner wrench, turn all augers into the ground respectively. Leave sufficient auger shaft above the ground so that sufficient thread is exposed to allow the washers and nuts to be tightened over the base rail assembly.
- (4) Tighten all nuts and your assembly will be securely fastened to the ground.

## Illustration for installation and tensioning both sides of roof cover



**FIGURE 4**

When installing the top cover, make certain that both ends have equal overlap prior to tensioning. This will also ensure the alignment of lower side pipe pockets and tensioning ratchets.



## Instructions for tensioning folded ends of the Roof Cover

Method of fastening the bottom  
Four corners of roof cover in  
front and back

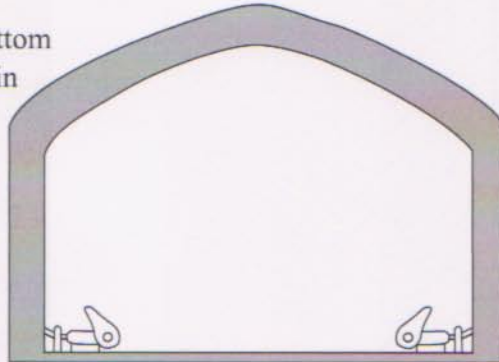


FIGURE 5

### Installation of top flaps over front and rear doors

The arched covers above front  
and rear door are tightened to  
the frame by Elastic Ball  
Bungee Connectors  
(part code#25)

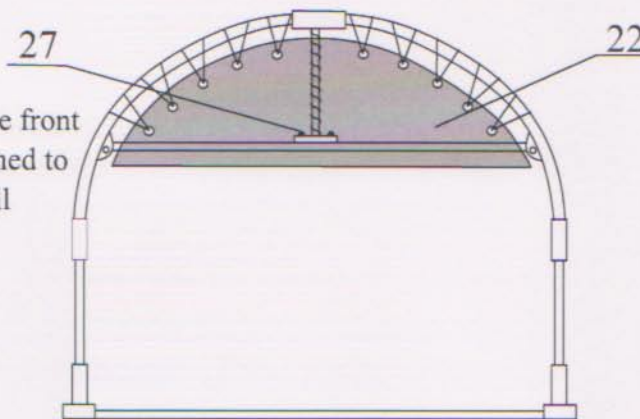
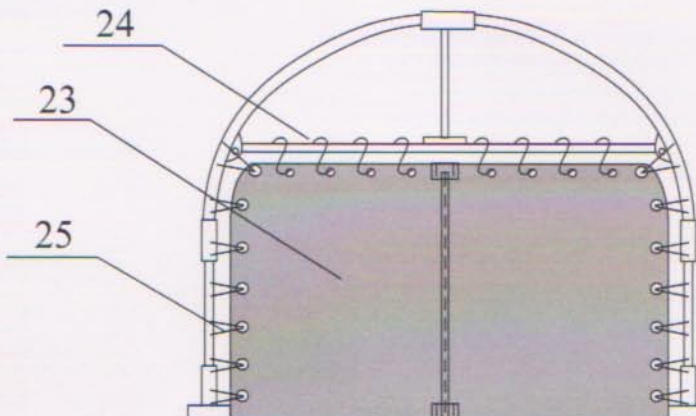


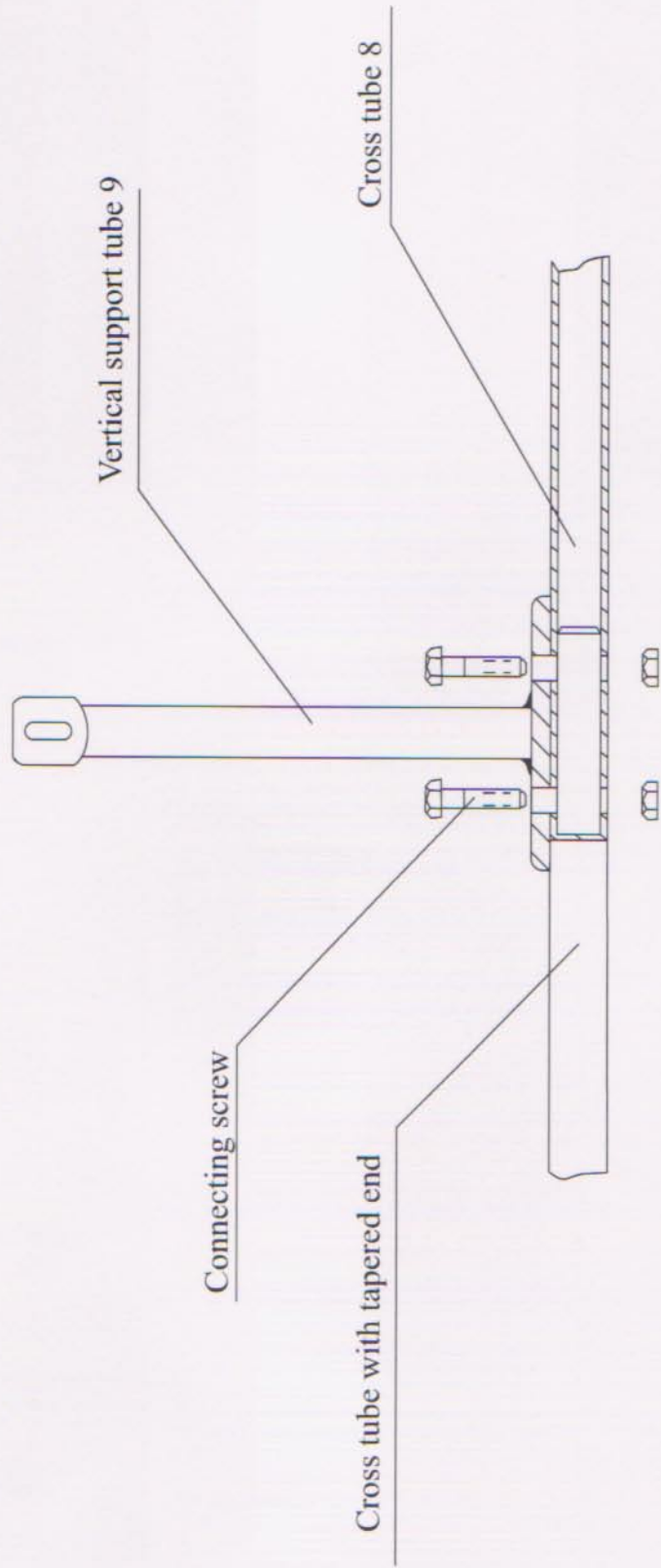
FIGURE 6

### Installing the front and rear doors



The front and rear doors are  
suspended from the upper  
horizontal tubes by using  
the "S" hooks(part code #24  
each door with 8 "S" hooks)  
The sides of doors are secured  
to the vertical frame are secured  
using the ball bungee connectors  
(part code #25)

FIGURE 7



Assembly of part codes No.8 & No.9 over front and rear doors for model Basic-1224

**FIGURE 8**