

DANCOVER[®]



Shelter Installation manual

L 8,5 x W 3,66 x H 2,6 m



Assembly Illustration

Model# Basic-1228

For "User Friendly" assembly we have identified each individual component with our part code number as indicated in the parts list. Please refer to the part code numbers and drawings to ensure problem free assembly.

Part list of Basic-1228

Part code	Description	Quantity
R1-R5	Square Tube sections for Base Rail	one set each (5pcs.)
L1-L5	Square Tube sections for Base Rail	one set each(5pcs.)
1	Curved 3 way roof fittings	2
2	Curved 4 way roof fittings	4
3	Straight 3 way upper side wall fittings	4
4	Straight 4 way upper side wall fittings	8
5	Curved Roof Tubing(ends with screw flanges)	4
5B	Curved (inner) Roof Tubing(without screw flanges)	8
6	Horizontal wall and roof purlins	15
7	Vertical side wall tubes	12
8	Cross Tube for Front and Rear Door (2pcs. set at each end)	2set
9	Vertical Support Tube for Cross Tube over the doors	2
10	Insert Adapter for Joining Base Rail sections	16
11	Base Rail Cross Brackets for each end(2pcs. Per set)	2set
11A	Base Rail Cross Brackets for center(2pcs. Per set)	2set
12	Connection screw M10x20mm for base rail cross brackets	8
13	Connection screw M8x70 mm	36
14	Stake peg	12
	(Including drawing of stake peg over the actual peg hole)	
15	Earth Auger	20
16	Tie Down Ratchets	14
17	Plastic cap	4
18	Connection screw M8x20mm for cross tubes over the doors	6
19	Roof cover	1
20	Lower Roof Cover Tensioning Tube (4pcs. Per set)	2set
21	Nylon Bands for Tensioning Roof Cover	10
22	Top Flap for above door	2
23	Front Door	2
24	"S" hooks for suspending front door	16
25	Elastic Ball Bungee Connectors	
26	Reinforcing Snaps for zipper door	4
27	Connection screw M6x40mm	6
	for vertical support tubes over the doors	
28	Plastic caps for tensioning tubes of roof cover	4
29	Connection screw M8x15mm	28
30	Wrench for Placing Earth Augers	1Set

L 8,5 x W 3,66 x H 2,6 m FRAME SKETCH

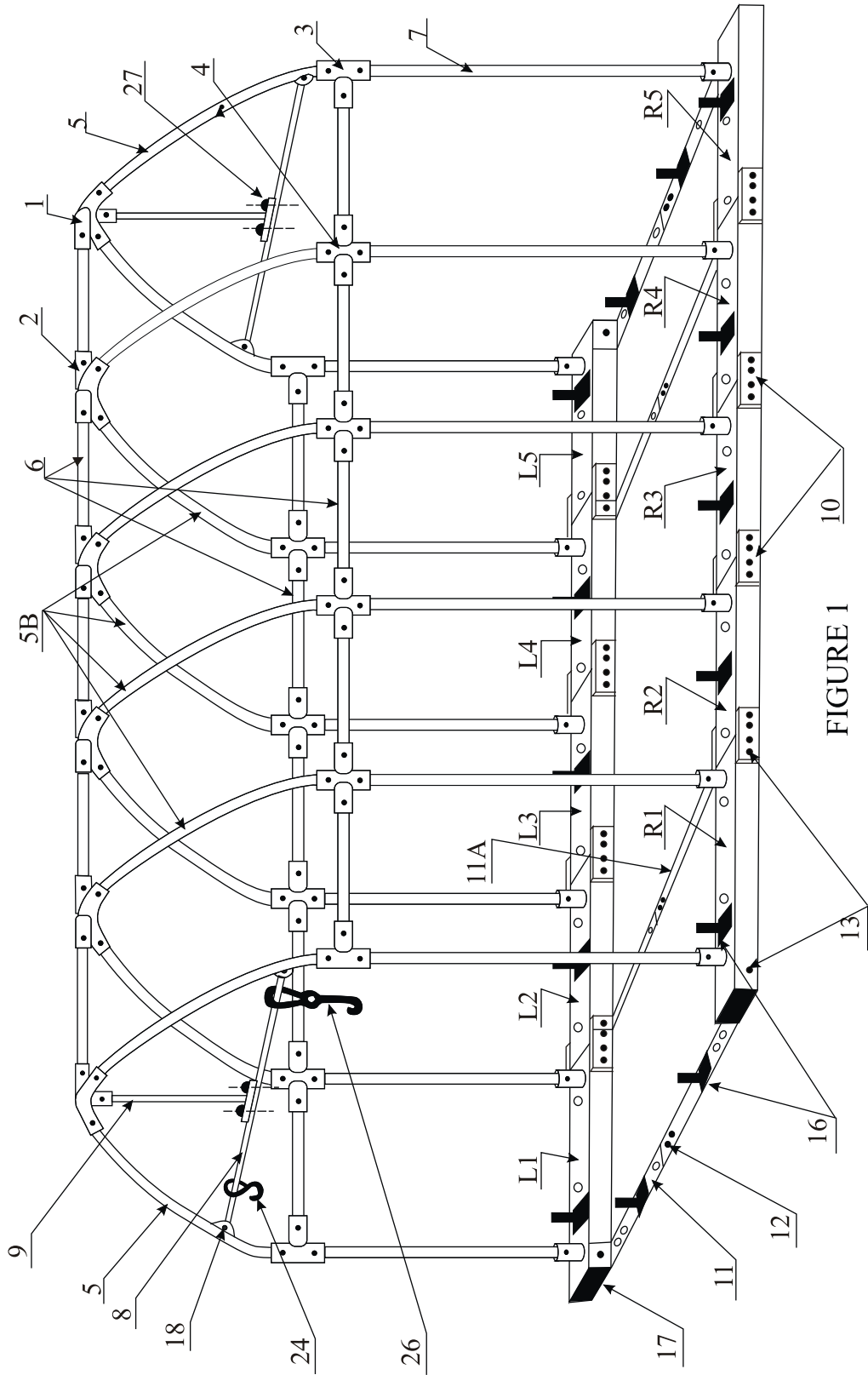


FIGURE 1

Base Rail Assembly

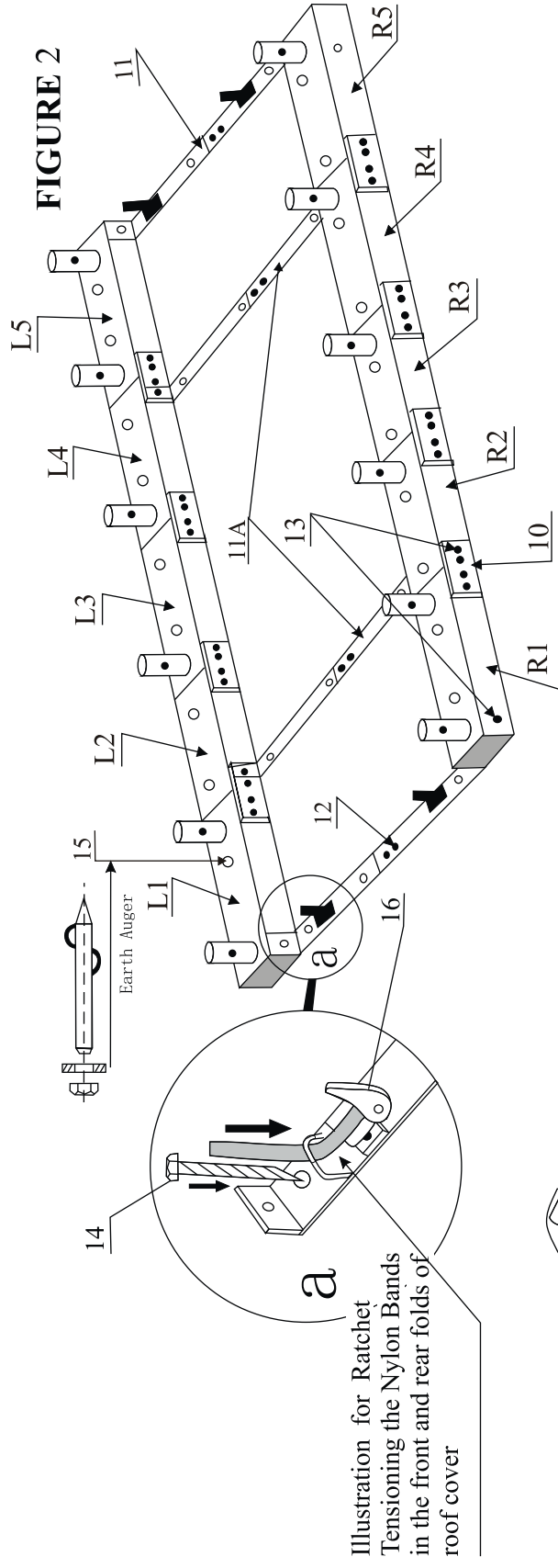
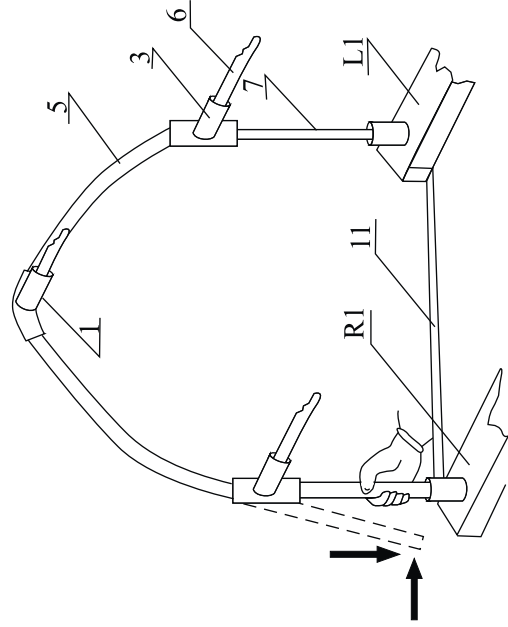


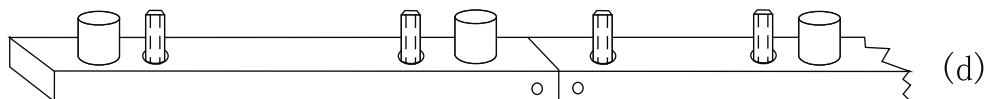
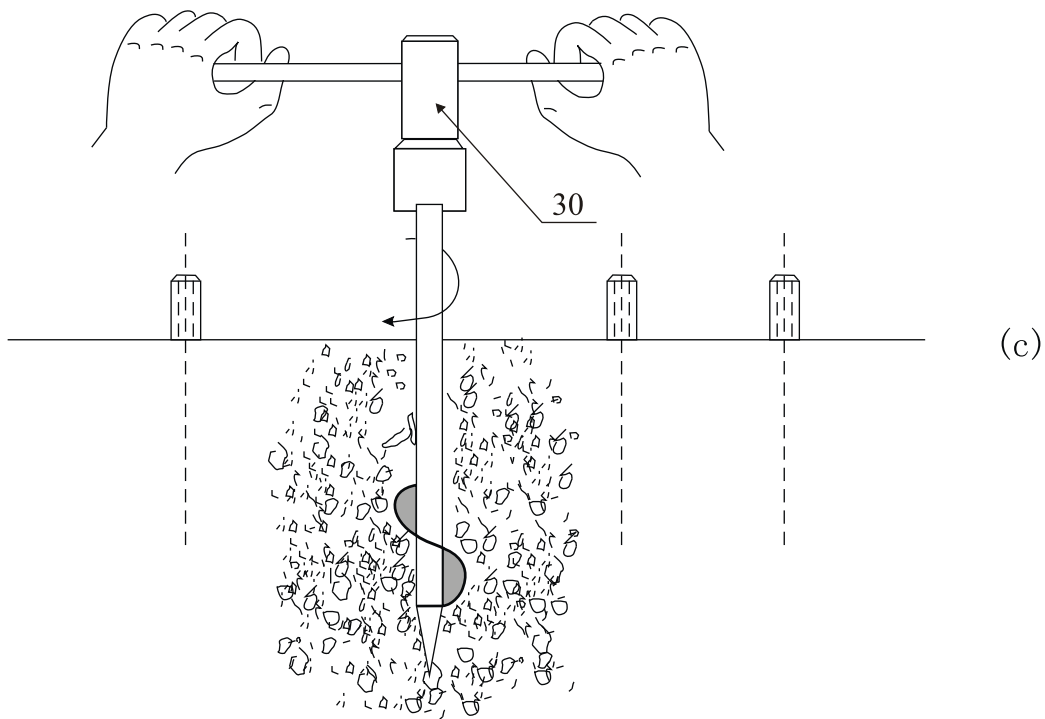
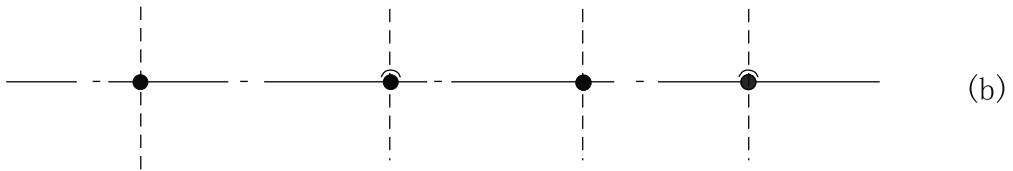
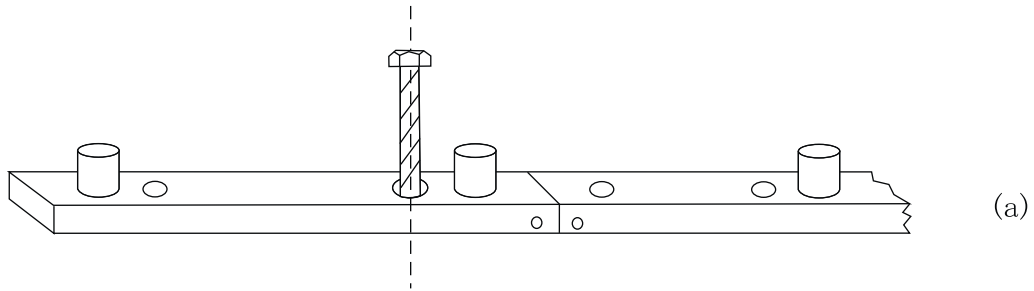
Illustration for Ratchet
Tensioning the Nylon Bands
in the front and rear folds of
roof cover



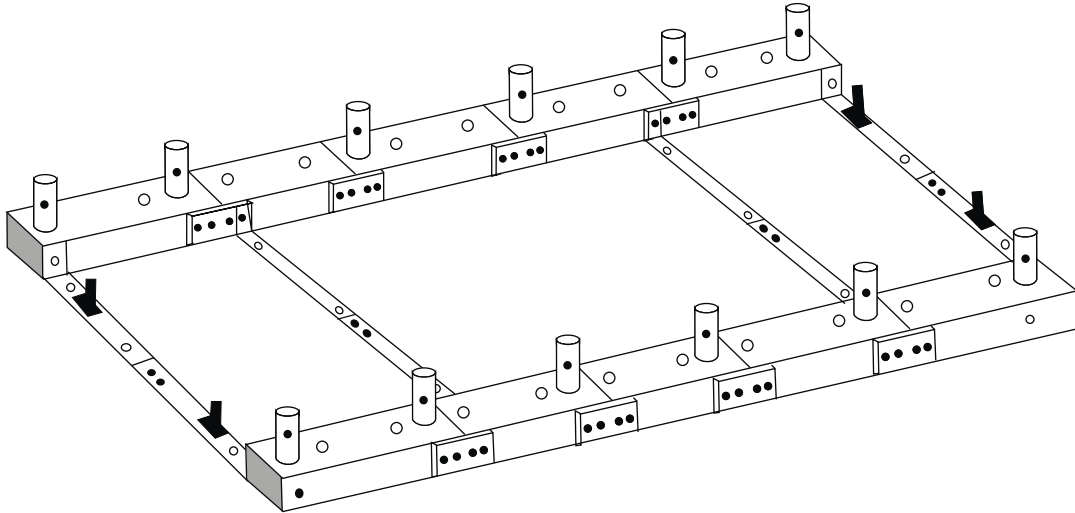
"Torsion Locking" the Frame Component

In order to keep some tension within the frame, the width is larger than 3,66m in free state. Please push every group of sidewall to the receivers on the base rails as shown on Figure 3.

Directions for placement of the Earth Augers



Hint: Please note that the Earth Augers are applicable in normal ground conditions. They are not suitable where the ground may be frozen, or where there may be presence of foreign objects such as rocks or concrete.



Placement of earth augers

(1) After assembly of the base rail system, mark the auger holes through the base rail by driving a stake page through the auger holes which will leave the impressions in the ground. These impressions will determine where the augers are then turned into the ground.

(2) After all holes are marked, move the base to one side and expose all the impressions for the augers.

(3) Using the specially designed spanner wrench, turn all augers into the ground Respectively. Leave sufficient auger shaft above the ground so that sufficient thread is exposed to allow the washers and nuts to be tightened over the base rail assembly.

(4) Tighten all nuts and your assembly will be securely fastened to the ground.

Illustration for installation and tensioning both sides of roof cover

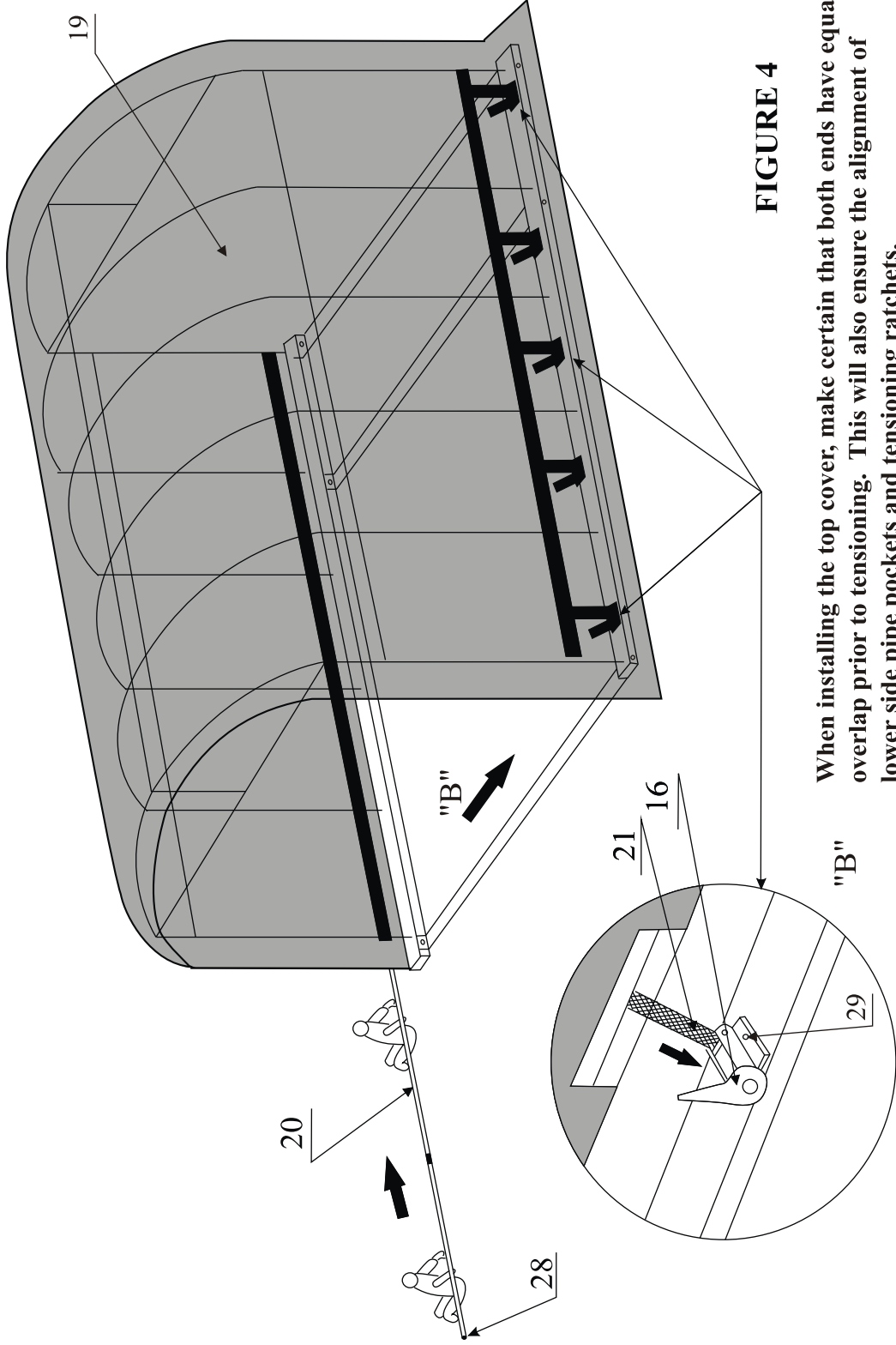


FIGURE 4

When installing the top cover, make certain that both ends have equal overlap prior to tensioning. This will also ensure the alignment of lower side pipe pockets and tensioning ratchets.

Instructions for tensioning folded ends of the Roof Cover

Method of fastening the bottom four corners of roof cover in front and back

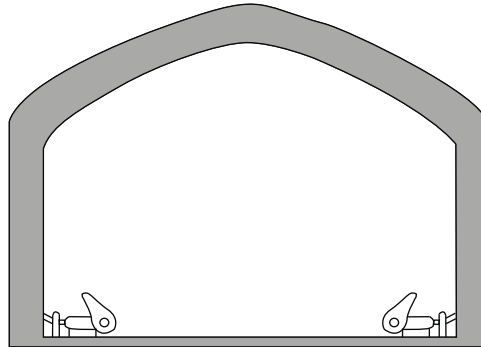


FIGURE 5

Installation of top flaps over front and rear doors

The arched cover above front and rear doors are tightened to the frame by Elastic Ball Bungee Connectors (Part code#25)

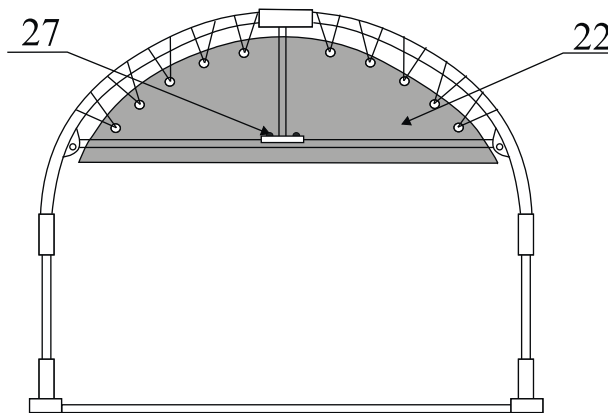
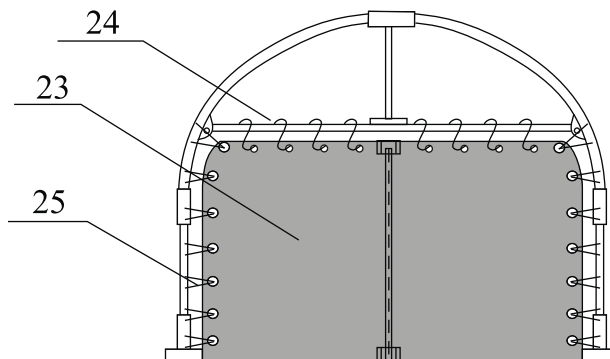


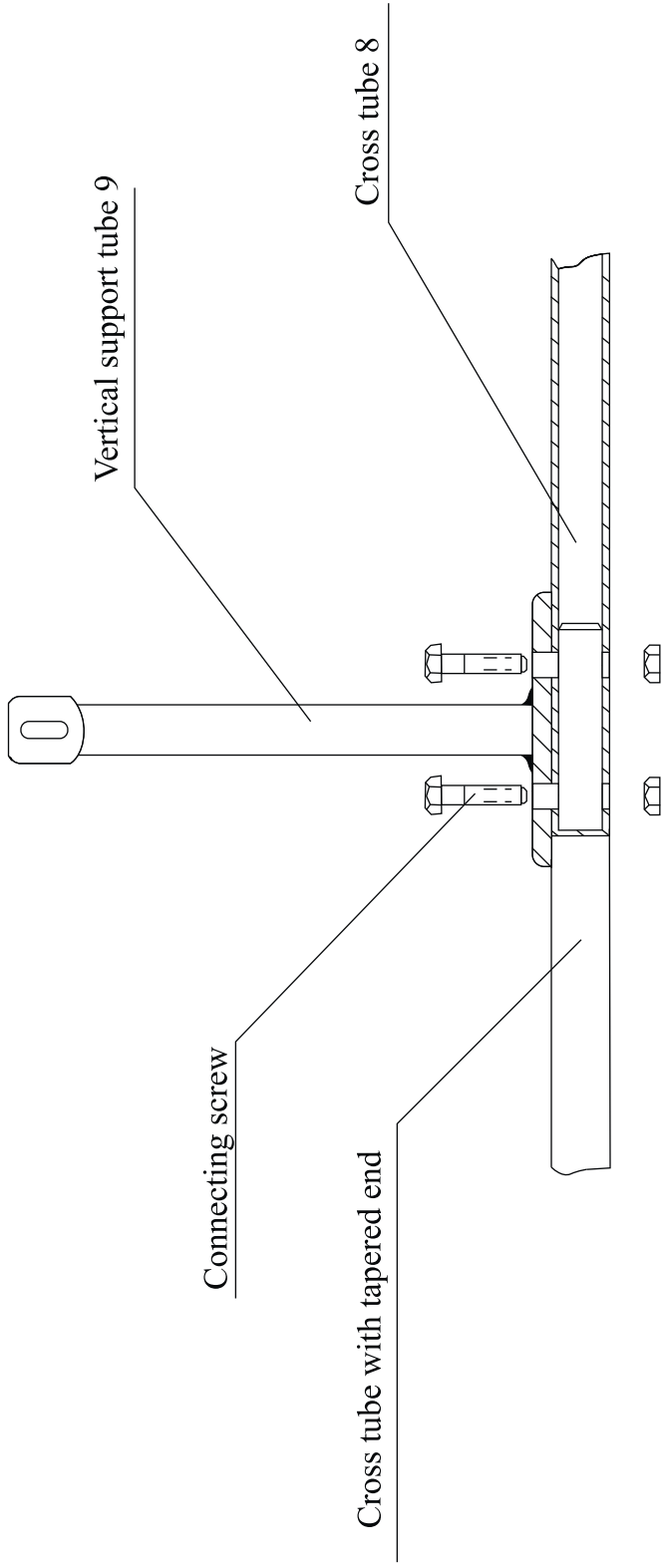
FIGURE 6

Installing the front and rear doors



The front and rear doors are suspended from the upper horizontal tubes by using the "S" hooks (part code #24 each door with 8 "S" hooks) The sides of doors are secured to the vertical frame are secured using the ball bungee connectors (part code #25)

FIGURE 7



Assembly of part codes No.8 & No.9 over front and rear doors for model Basic-1228

FIGURE 8

Contact information

Head office:

Dancover A/S
Nordre Strandvej 119 G
3150 Hellebæk
Denmark

For more information
please visit:
www.dancovershop.com

National contact

Denmark:
denmark@dancover.com

UK:
uk@dancover.com

Germany:
germany@dancover.com

France:
france@dancover.com

Sweden:
sverige@dancover.com

Finland:
suomi@dancover.com

Poland:
polska@dancover.com

Luxembourg:
luxembourg@dancover.com

Spain:
espana@dancover.com

Italy:
italia@dancover.com

Switzerland:
schweiz@dancover.com

Austria:
austria@dancover.com

Norway:
norge@dancover.com

Nederland:
nederland@dancover.com

Ireland:
ireland@dancover.com

Belgium:
belgique@dancover.com