

7,2x5m Party Tent Assembly Guide

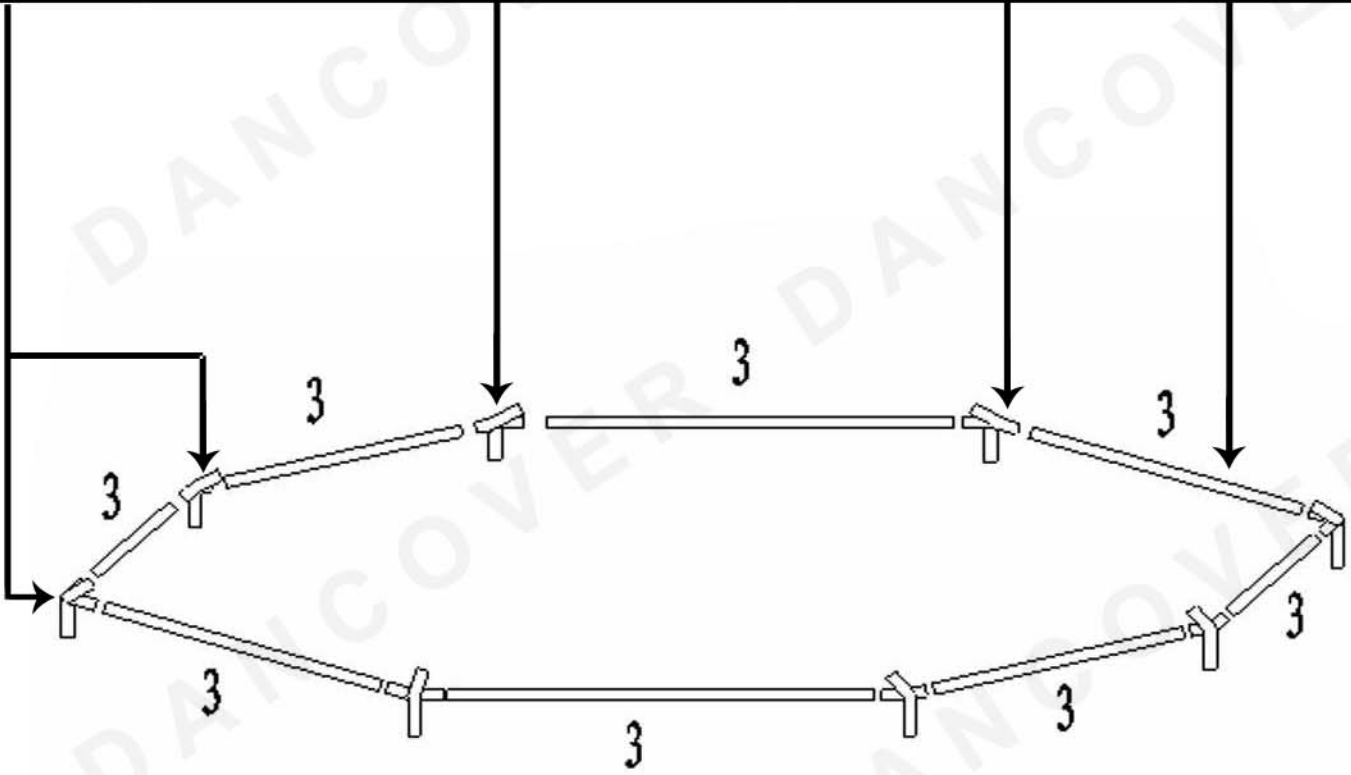
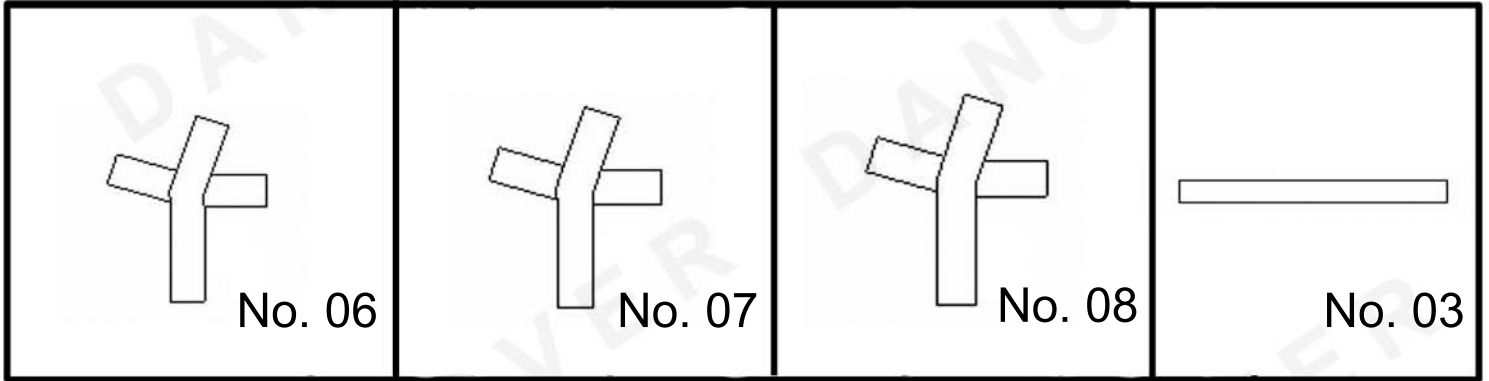


DANCOVER®

Warning!:

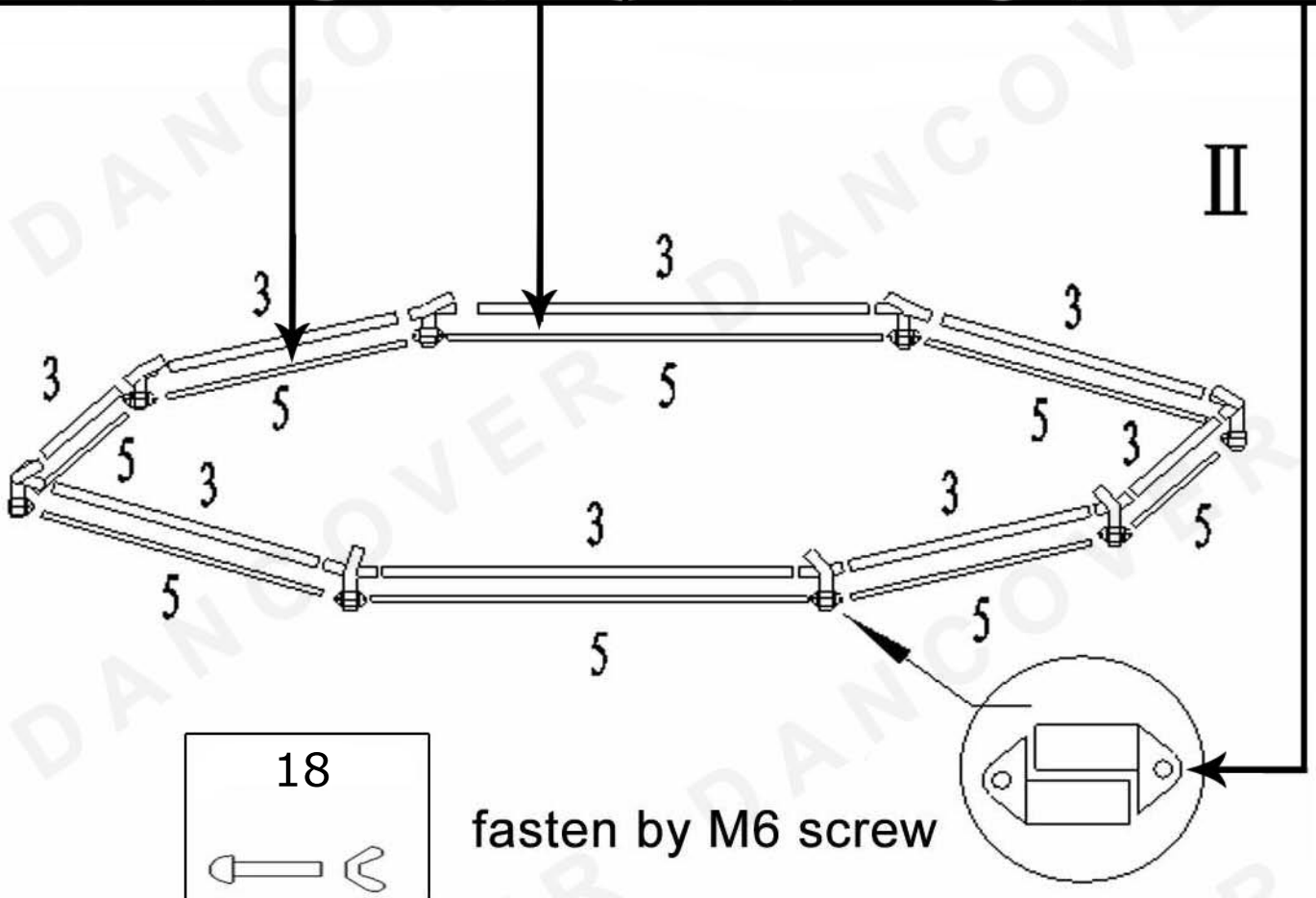
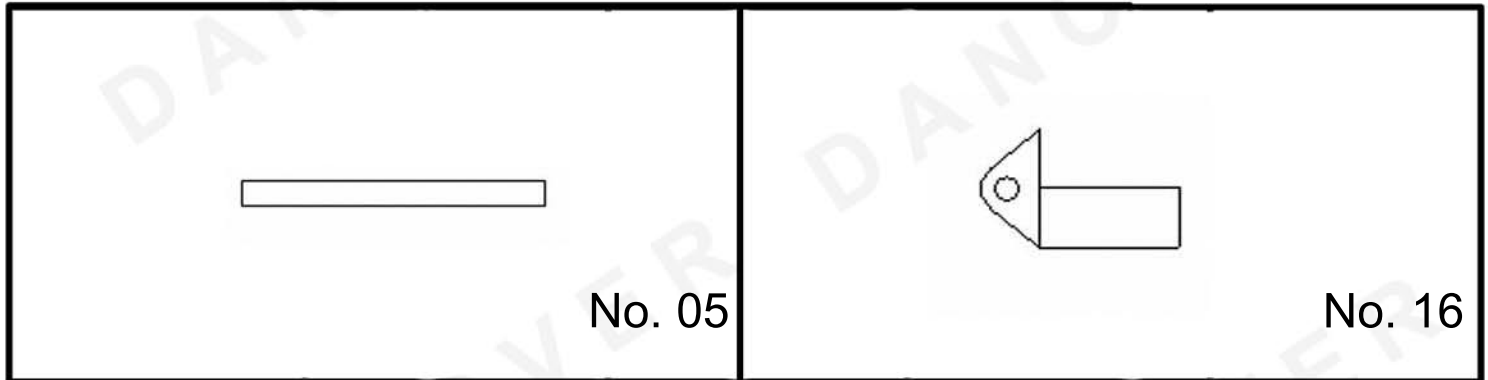
1. In some countries approval is needed to set up a tent larger than 75 m².
2. The owner of the tent has the sole responsibility to make sure that these local rules are followed and that the mounting is correct.
3. It is always recommended that you secure your tent properly with storm straps and ground pegs when you put up the structure.
4. In case of extreme weather conditions the tent cover must be removed.
5. This structure is not tested for specific snow and wind loads.
6. Do not use open fire, welding equipment or other ignition sources in the tent.
7. We recommend you to insure the tent, or check if it is covered by home contents insurance, in case of unplanned events, accidents or bad weather.

Assembly



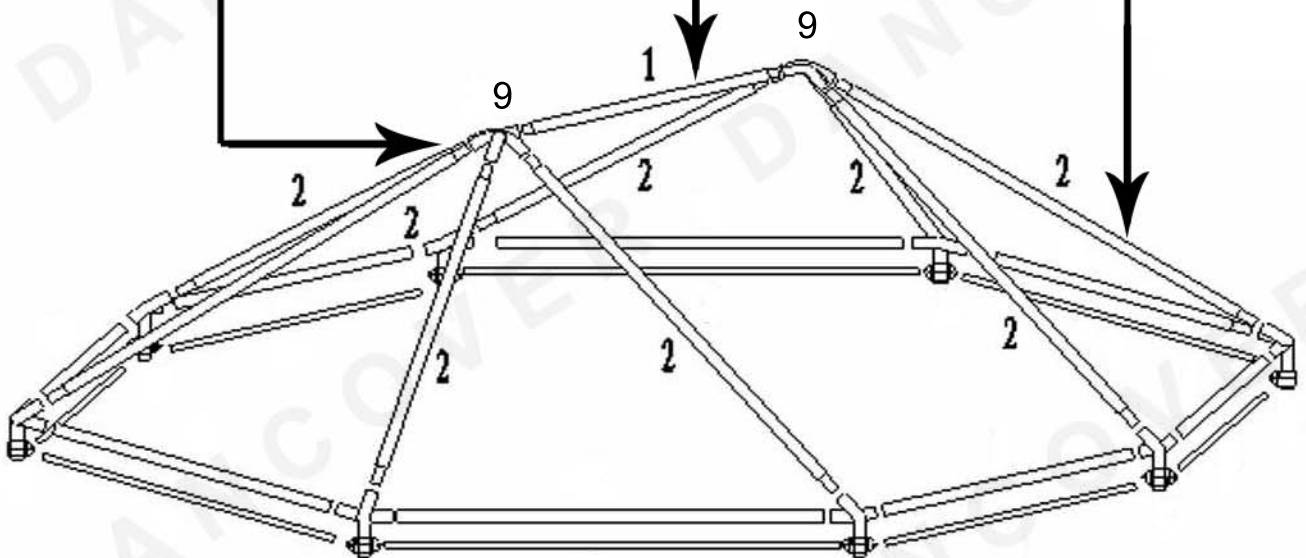
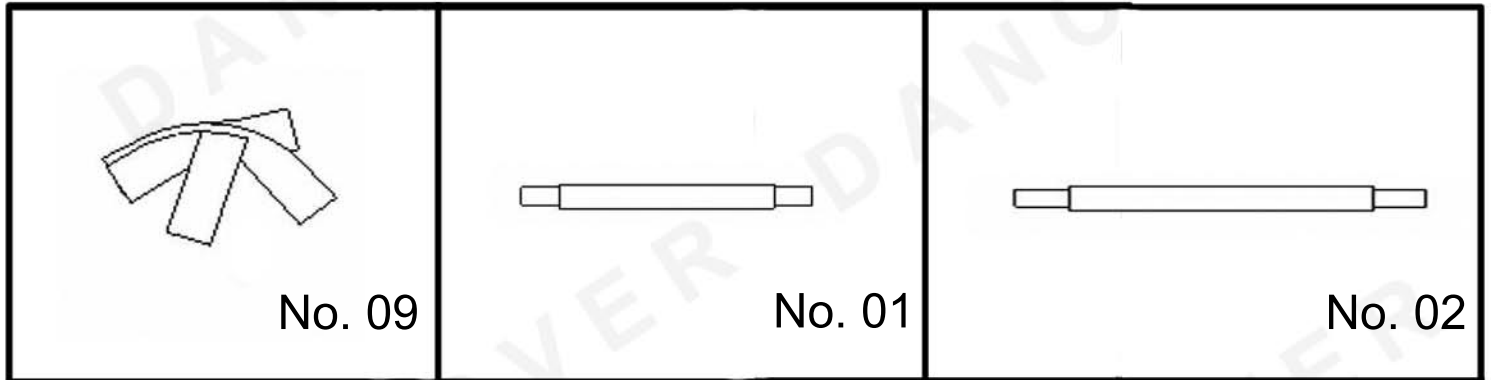
Step 1: Lay out and connect the basic shape as shown above.

Assembly



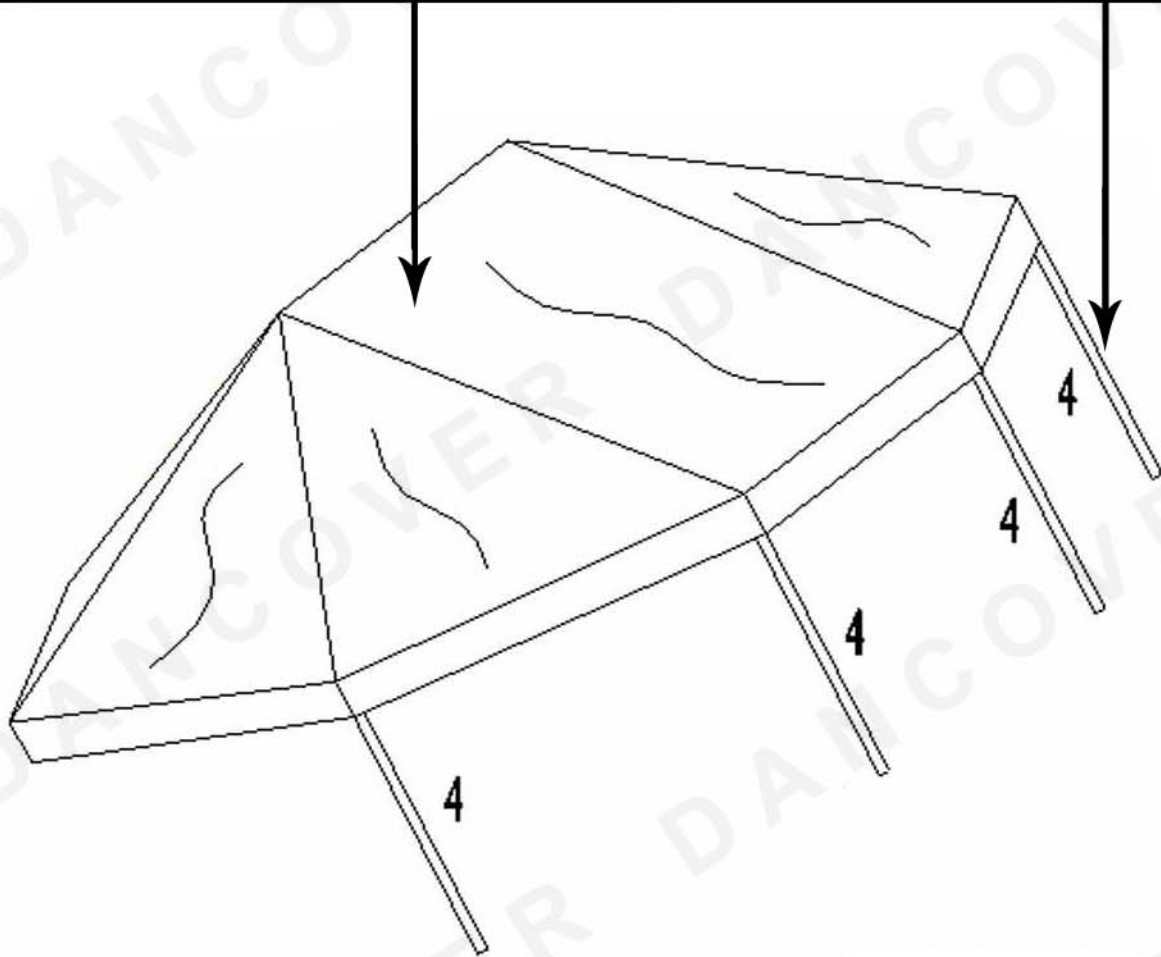
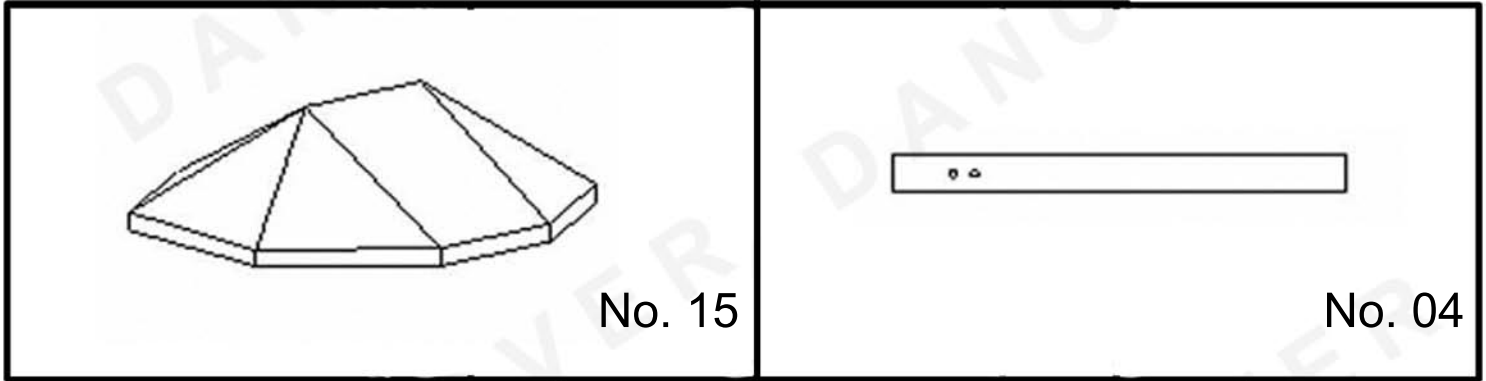
Step 2: Assemble the joints (No. 16) around the leg joint (06,07,08) as shown above and join them with No. 05.

Assembly



Step 3: Assemble the structure of the roof as shown above.

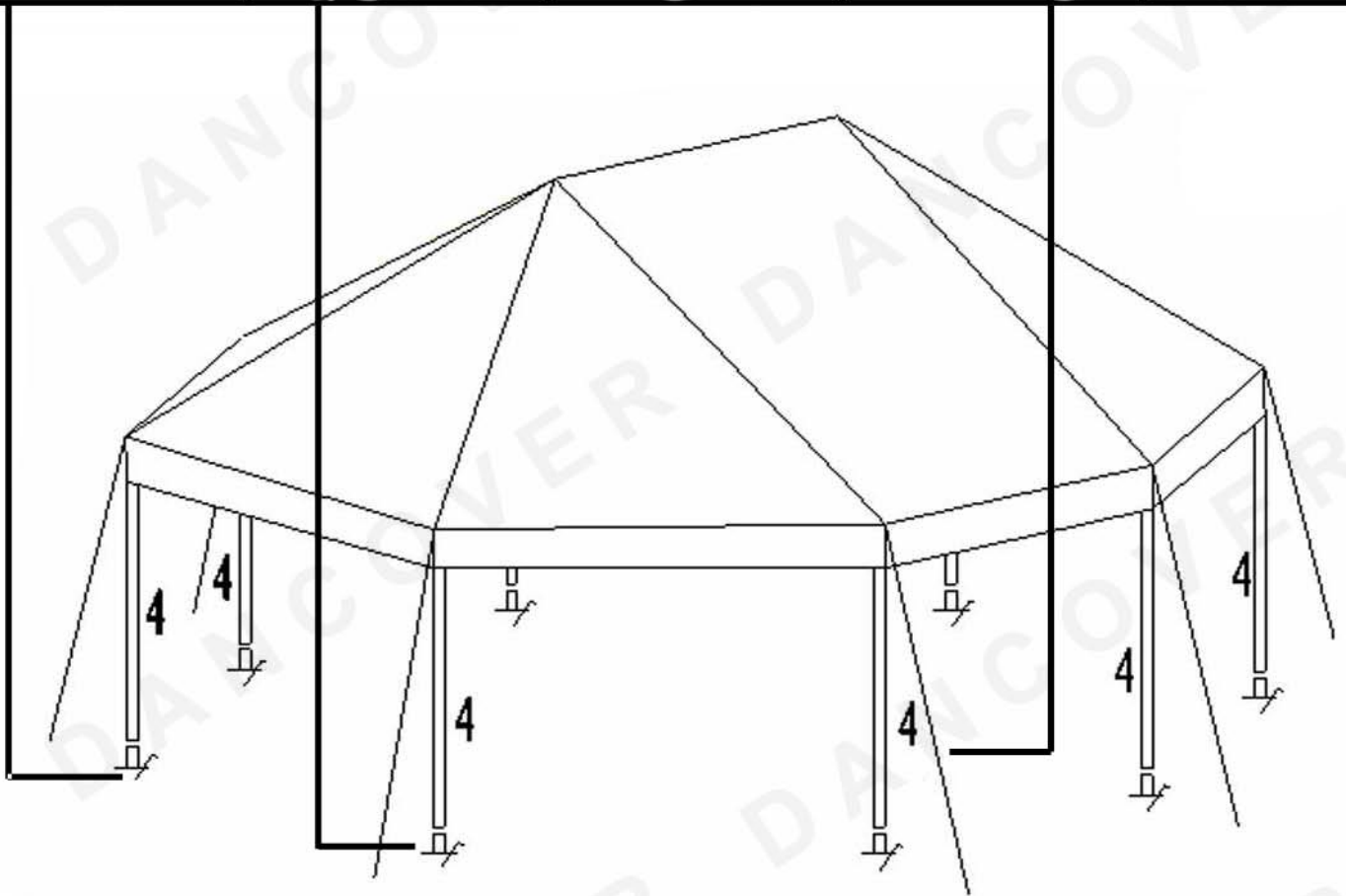
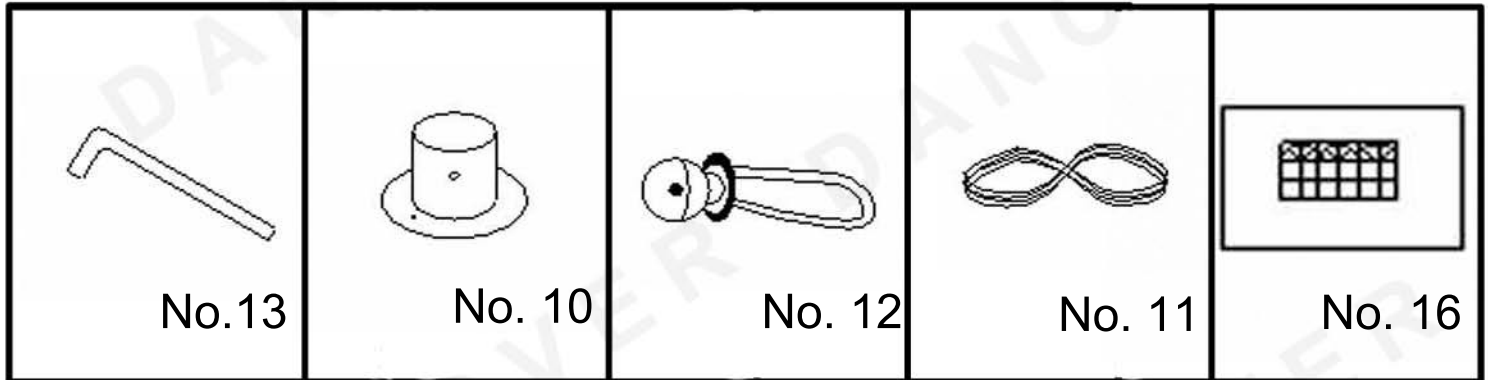
Assembly



Step 4: Put on the roofcover (No. 14)

Step 5: Raise the structure using the legs (No. 04) one side at a time.

Assembly



Step 06: Secure the structure to the ground using Stake pegs (No. 13) and feet (No 10).

Step 07: Fasten the roofcover using guy lines (No. 11)

Step 08: apply the amount of sidewalls (No.16) you want using bungeeballs (No. 12) to fasten them to the frame.

Step 09: Attach the curtains (No.17) at the corners.

DANCOVER®

Contact Information

Head office:

Dancover A/S
Nordre Strandvej 119 G
3150 Hellebæk
Danmark

National Contact:

Denmark:
mail@dancover.dk
70267620

Spain:
Espana@dancover.com
902 906 098

UK:
Mail@dancover.co.uk
020 7221 0220

Italy:
italia@dancover.com
02 303 75317

Germany:
mail@dancover.de
041 0266 7040

Switzerland:
schweitz@dancover.com
0840000125

France:
france@dancover.com
0810 000 219

Austria:
austria@dancover.com
0662 626 935

Sweden:
mail@dancover.se
040 233 262

Norway:
norge@dancover.dk
231 00 690