

DANCOVER[®] 

Party tent
4 m PVC Series

DANCOVER[®]

.com

Safety Advice

Attention

In some countries approval is needed to set up a marquee/tent larger than 75 m². It is your responsibility to comply with local rules and regulations and to ensure that the marquee/tent is assembled correctly.

In case of bad weather conditions, it is your responsibility to ensure the marquee/tent is safely secured and that the marquee/tent does not cause damage to others.

Do not use open fire, welding equipment or other sources which can ignite, inside or close to the tent.

The marquee/tent must be safely secured. We recommend you secure your marquee/tent with straps and pegs as soon as it is assembled.

Make sure to check if the marquee/tent is covered by your home contents insurance.

Marquees/tents must be evacuated under extreme weather conditions.












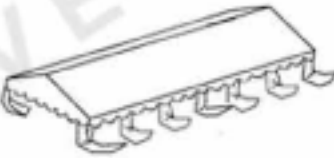
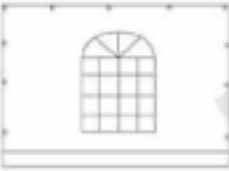
In the event of snow always remove snow from the roof of the marquee/tent regularly to prevent snow from building on the roof as heavy snow can cause the marquee/tent to collapse.

In the event of rain there is a risk of rain puddles building up on top of the roof of the marquee/tent. Heavy rain puddles can cause the roof to collapse. It is your responsibility to ensure rain puddles do not build up. As a precaution, make sure the roof of the marquee/tent is stretched out properly and adequately over the side frames of the marquee/tent and remove rain water regularly.

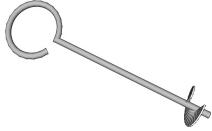


Note: Marquees are intended for events and other arrangements and are as such only meant for short term temporary assembly and the following disassembly. Dancover warranty applies only to the normal use of the Product, normal wear and tear excepted, in accordance with written use instructions or manual. The warranty does not apply to damage caused by accident, abuse, misuse, or modification of the Product.

Please always check our website for the latest safety advice and manual.

Part list.

Part No.	Part	6m	8m	10m
No. 01		8 PCS	10 PCS	12 PCS
No. 02		9 PCS	12 PCS	15 PCS
No. 04		8 PCS	10 PCS	12 PCS
No. 05		6 PCS	6 PCS	6 PCS
No. 06		6 PCS	9 PCS	12 PCS
No. 07		8 PCS	10 PCS	12 PCS
No. 08		36 PCS	42 PCS	48 PCS
No. 09		86 PCS	102 PCS	118 PCS
No. 10		18 PCS	18 PCS	18 PCS
No. 11		42 PCS	54 PCS	66 PCS
No. 12		4 PCS	4 PCS	4 PCS
No. 13		1 PCS	1 PCS	1 PCS
No. 14		6 PCS	8 PCS	10 PCS

Part list.

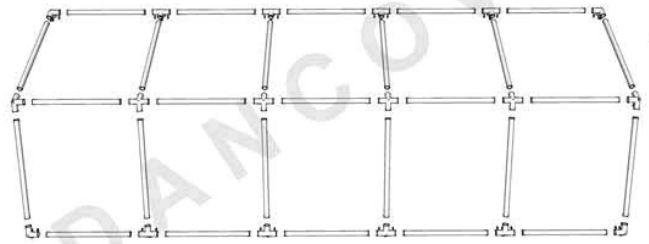
Part No.	Part	6 m	8m	10m
No.17		4 PCS	4 PCS	4 PCS
No.18		1 PC	1 PC	1 PC
No.19		1 PC	1 PC	1 PC

www.Dancovershop.com

Assembly

Step 1: Lay out all roof tubes and connectors as shown.

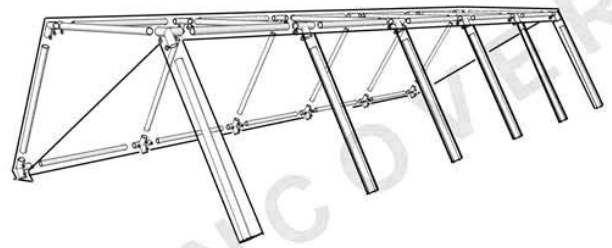
Step 2: Join the roof tubes and connectors from middle and out.
See Roof Assembly.



Step 3: Apply legs in one side as shown.

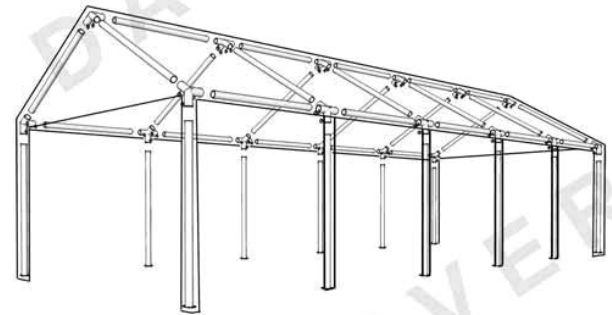
Step 4: Put the roof cover on and tie down with bungeeballs as shown.

* Note: Tie some of the bungees in one side and then some in the other. Continue this until all bungees are in place



Step 5: Raise the legs in the opposite site.

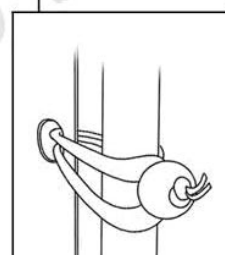
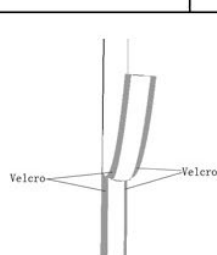
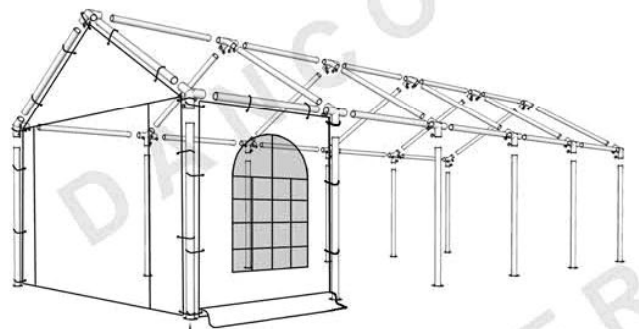
Step 6: Make sure the cover is fastened.



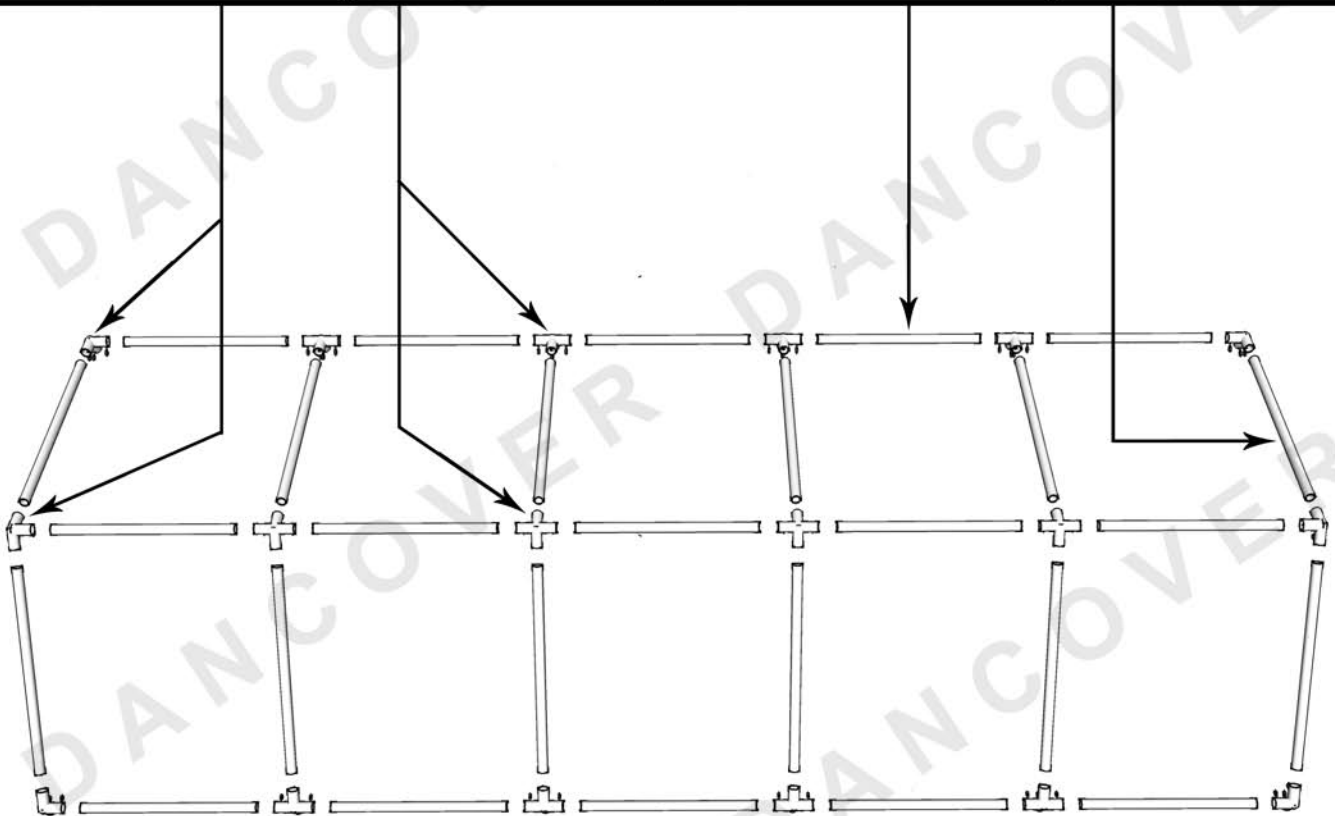
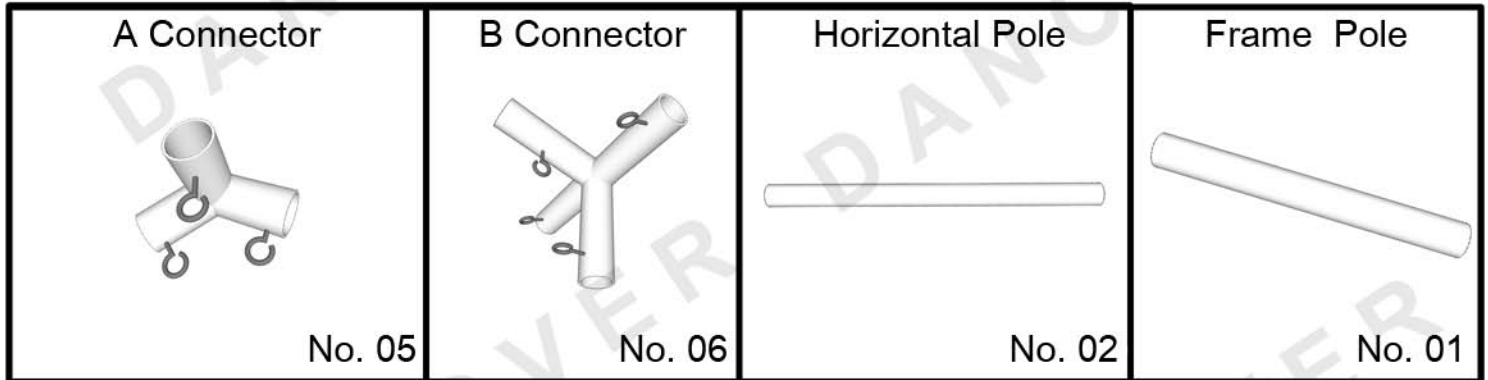
Step 7: Attach sidewalls with bungeeballs as shown.

Step 8: Attach endwalls with bungeeballs As shown.

Step 9: Connect leg cover with sidewall and endwall by velcro as shown



Roof Assembly



Step 1: Lay out all roof tubes and connectors as shown above.

Step 2: Join the roof tubes and connectors from middle and out.

Contact information

Head office:

Dancover A/S
Nordre Strandvej 119 G
3150 Hellebæk
Denmark

For more information
please visit:
www.dancovershop.com

National contact

Denmark:

denmark@dancover.com

UK:

uk@dancover.com

Germany:

germany@dancover.com

France:

france@dancover.com

Sweden:

sverige@dancover.com

Finland:

suomi@dancover.com

Poland:

polska@dancover.com

Luxembourg:

luxembourg@dancover.com

Spain:

espana@dancover.com

Italy:

italia@dancover.com

Switzerland:

schweiz@dancover.com

Austria:

austria@dancover.com

Norway:

norge@dancover.com

Nederland:

nederland@dancover.com

Ireland:

ireland@dancover.com

Belgium:

belgique@dancover.com