

DANCOVER[®]

.com

Manual
for
Patio Cover Santa Ynez,
3x4m



Thank you!

We are convinced that this pergola awning will exceed your expectations and wish you joy while using it. The operator's instruction shall be read before the use of the product. Keep it for further reference and observe the safety instructions.

Scope of delivery

1x Pergola awning motorised
2x Mounting bracket for wall
1x Retractable screen
1x Remote control



All required bolts, rings, nuts, and screws used for instalment of the pergola awning except wall mounting material (see section "Mounting material").

Intended use

This pergola awning is suitable for outdoor use on buildings and primarily intended as protection from direct sunlight, glare and heat, as well as a blind **If stronger wind starts up (stronger than the wind resistance class of the installed awning) or it begins to rain heavily (danger of water pockets), retract the retractable screen immediately. Using the pergola awning at winter conditions (e.g. snowfall, frost, ice) can cause considerable dangers and must be avoided.** The pergola awning is not intended for commercial use. Any other use or modification to the pergola awning is considered as improper use and could cause considerable dangers.

Table of content

Scope of delivery	1
Intended use	1
Symbols	1
Required accessories	1
Important safety instructions	2
Overview	3
Components	3
Scope of delivery Installation	3
Installation site	7
Wind resistance classes	7
Mounting material	8
Technical data	8
Adjusting the screen	16
Operation	17
Cleaning and care	18

 **WARNING** 

- **Carefully read this installation and user manual prior to the installation and use of the pergola awning.**
- **Observe the installation requirements and installation methods for a proper and safe installation of the pergola awning:**
 - Pergola awning for outdoor use.
 - DIN EN 13561:2009, DIN EN 13561:2015
 - Wind-Resistance Class 2

Symbols



Please read this user manual carefully and keep it for further reference.



Warning of accident and injury to persons and serious damage to property.



3 persons required.



A triangle with a lightning symbol draws the user's attention to "dangerous voltage" without insulation in the cabinet which may be high enough to entail a risk of electric shock.

Required accessories

The following accessories (not included) are required, for a proper installation of the awning:

- Level
- Guideline
- Tape measure
- Chalk or pencil
- Wrenches
- Rubber mallet
- 2 Stepladders
- Impact drill
- Suitable drill bit and mounting material (fastenings, which are not supplied) for wall, floor type at installation site.



IMPORTANT SAFETY INSTRUCTIONS



WARNING – IT IS IMPORTANT FOR SAFETY OF PERSONS TO FOLLOW THESE INSTRUCTIONS SAVE THESE INSTRUCTIONS.

- **WARNING!** Working at high altitudes bears the risk of falling. Always wear appropriate fall protection.
- If the awning needs to be installed at higher levels that require the use of ropes, make sure the awning is:
 - taken out of its packaging,
 - the ropes are suitable to carry the load and fixed in a way that they cannot slip,
 - the awning is lifted evenly and horizontally.The same applies to the dismantling of the awning.
- Ladders and scaffolding may not be positioned against or attached to the pergola awning. A firm footing and level ground are necessary for their support.
- Only use ladders and scaffolding with a sufficiently high load-bearing capacity.
- At first use, make sure that no person or animal is present in the extraction area of the pergola awning. Check if the fastenings and mounting brackets are still tight after the first extraction.
- Use the pergola awning only as specified in the intended use. Changes such as additions or conversions that are not provided by the manufacturer, may be made only with the written consent of the manufacturer.
- Ensure that children and persons who cannot correctly assess the dangers of improper use and misuse, do not operate the retractable screen. Pergola awnings in need of repair, with high wear or damage to the cover or frame, may not be used.
- Prior to each operation, visually check the pergola awning for damages. If damage is visible, stop using the retractable screen immediately and seek for authorized personnel to repair the damage.
- Do not touch moving parts during operation.
- Prevent clothing or body parts from getting caught and drawn-in by the pergola awning.
- When working in the extraction area of the retractable screen, make sure that it cannot be operated accidentally. To that end, switch off the power supply for the system and take safety precautions against unintended reactivation.
- The use of tensioning cables or additional load (e.g. hanging objects to the pergola awning) can cause serious damage to the awning and are not permitted.
- Foliage or other foreign objects on the retractable screen and in the guide rails must be removed immediately, as they can damage to the pergola awning.
- Retract the retractable screen during rain, snow or wind to avoid damage. If a wind sensor is used in combination with an electric drive, set it according to the wind resistance class of your pergola awning.
- Prepare a substitute power supply in case of installation in a windy area and with frequent power failures.
- Do not extend the retractable screen during snow or frost (danger of frozen fabric). Snow and/or ice can destroy the retractable screen. Automatic controls must be set to manual operation under such conditions, e.g. winter operation.

- Only use manufacturer-approved replacement parts.
- When dismantling and disposing of the pergola awning, the prestressed parts (e.g. beams, columns, back pull systems) must be completely relaxed or secured to prevent accidental deployment.
- **WARNING!** Possibility of injury or death by electric shock!
- During installation, always observe the national installation regulations.
- When working on the pergola awning, make sure that the power supply for the retractable screen is switched off and take safety precautions against unintended reactivation.
- Always use a residual current device (RCD) protected supply.
- Children must not play with the controls of the awning. Store remote controls out of the reach of children.
- Regularly check the pergola awning for signs of wear or damage to the cables. If damage is visible, stop using the system immediately and seek for authorized personnel to repair the damage.
- Changes to the design or configuration of equipment may not be made without consulting the manufacturer or his authorized representative.
- The actuating member of a biased-off switch is to be located within direct sight of the driven part but away from moving parts. It is to be installed at a minimum height of 1.3 m.
- If a manually operated emergency system is supplied, it must be accessible in a height of less than 1.80 m.
- A pergola awning with electric drive cannot be retracted without electricity. It is recommended, therefore, especially in windy regions with frequent power outages, to operate the retractable screen with a manually operated emergency system or an emergency power supply.

For use of batteries

- The battery must be removed from the appliance before it is scrapped.
- **CAUTION!** Explosion hazard when the batteries are not replaced correctly. Only replace by batteries of the same type. Pay attention to the correct polarity.
- Do not expose batteries (battery pack or inserted batteries) to excessive heat from sunlight, fire, etc. Protect from mechanical shocks. Keep dry and clean. Keep out of reach of children.
- Do not open, disassemble, cut open, or short-circuit batteries.
- Observe the safety notes and other notes on the battery and its packaging.
- Remove leaking batteries and clean the battery compartment thoroughly. Avoid contact with eyes and skin.
- This product contains a coin/cell battery, that can cause severe internal burns in just 2 hours and lead to death when swallowed.

Overview

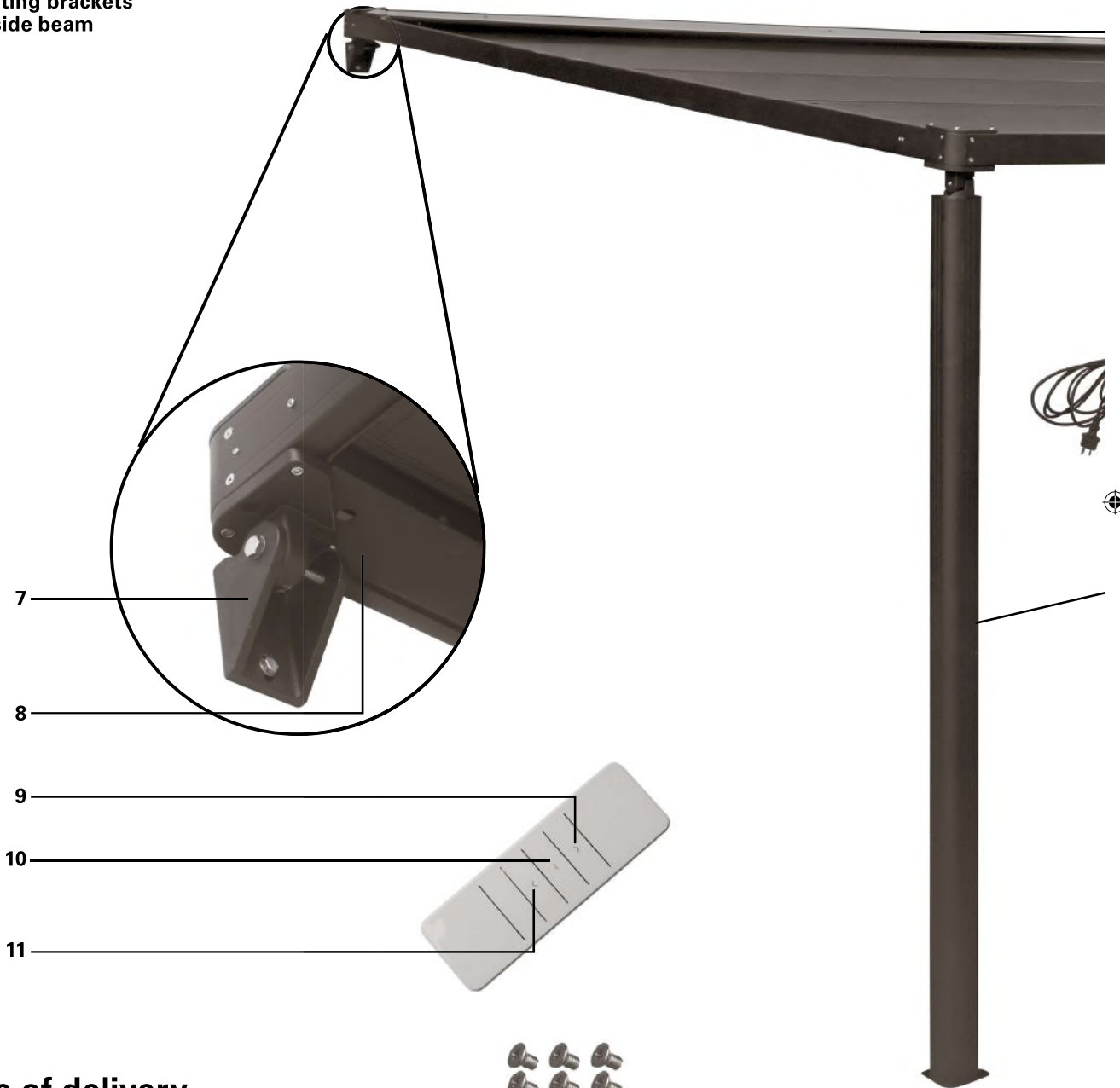
Components

Awning

- 1 Top face plate
- 2 Retractable screen
- 3 Left/right beams
- 4 Frontside beam
- 5 Power plug
- 6 Left/right columns
- 7 Mounting brackets
- 8 Backside beam

Remote control

- 9 Extract
- 10 Pause
- 11 Retract



Scope of delivery

① M6 washer (plastic) 2x

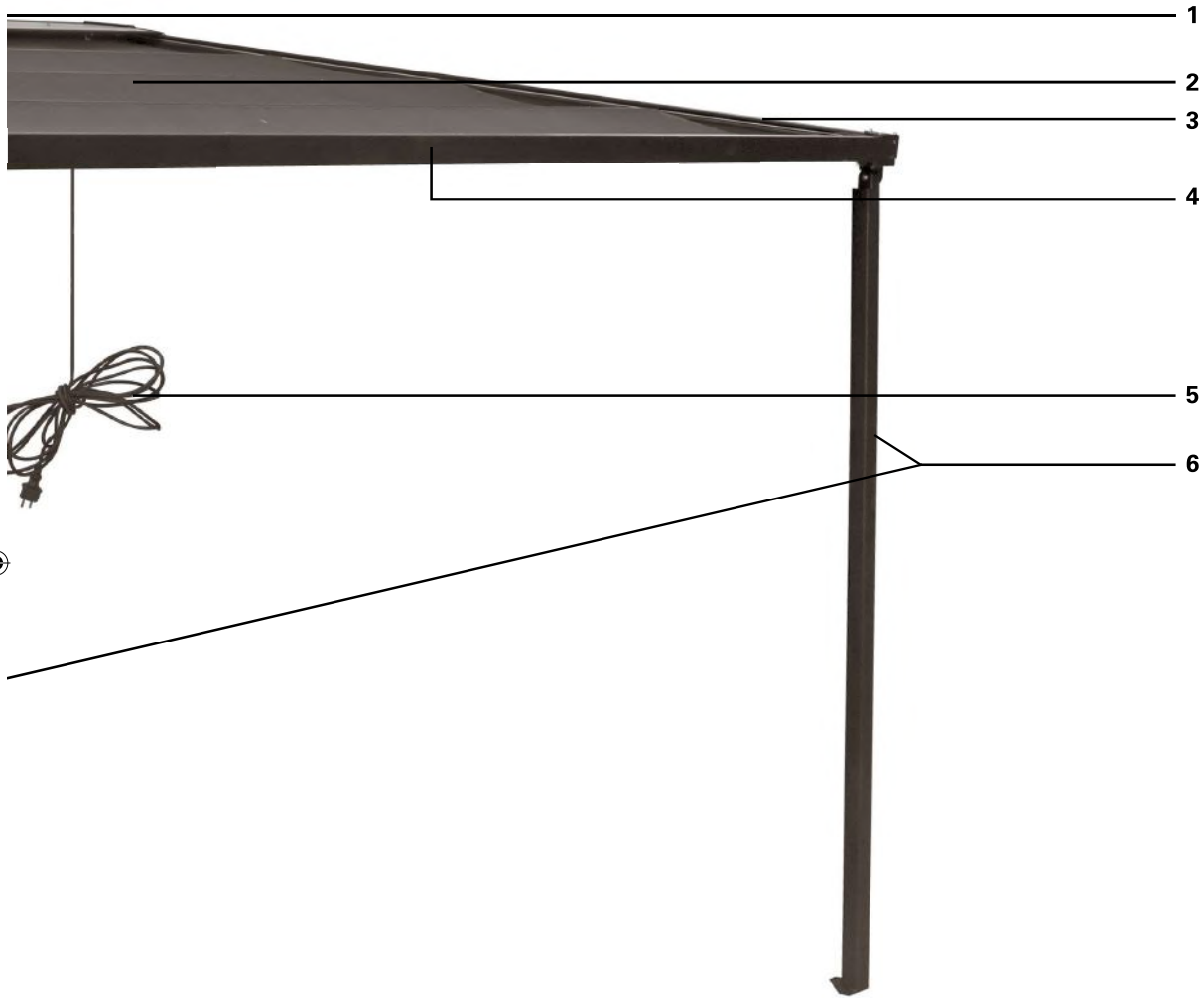
② M6x8 full thread screw 2x

③ M6x10 full thread screw 4x

③ M6x14 full thread screw 16x (+2)

④ M6x12 full thread bolt 4x

⑤ M6x16 full thread bolt 4x



⑥ M6x20 full thread bolt 4x



⑦ M6x30 full thread bolt 4x



⑧ M6x40 full thread bolt 4x



⑨ M6x20 hex socket bolts 8x



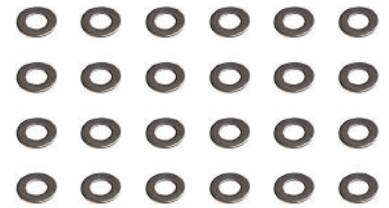
⑩ M8x50 partial thread bolt 2x



⑪ M10x90 full thread bolt 2x



⑫ M8x100 full thread bolt 4x



⑬ Ø6 washer 22x (+2)



⑭ Ø6x16 ring 4x



⑮ Ø8 ring 10x



⑯ Ø10 ring 4x



⑰ M6 nut 4x



⑱ M8 nut 6x



⑲ M10 locking nut 2x



⑳ M10 nut 2x



㉑ R L-brackets 1x
㉒ L L-brackets 1x



㉓ Corner brackets 4x



㉔ Corner face plates 4x



㉕ Corner bottom plates 4x



㉖ Mounting brackets 2x



㉗ Top corner face plates 2x



㉘ M8x75 partial tread bolt 6x



㉙ Ø10x50 plug 6x



㉚ M8 cap 6x



㉛ Accessory kit for remote control



㉜ Remote control 1x



Ⓐ Backside beam 1x



Ⓑ Left/right beams 2x



Ⓒ Top face plate 1x



Ⓓ Left/right columns 2x



Ⓔ Frontside beam 1x



Ⓕ Retractable screen 1x

Installation

Installation site

WARNING

Consult a specialist, if there is any doubt on the load carrying capacity of the installation site.

Prior to the installation, check if the wall the installation site has sufficient load carrying capacity. Special care needs to be taken if the installation shall be carried out at an insulated wall, as the increasing demands on thermal insulation reduce the tensile forces of anchor bolts and other fastenings. Make sure the installation site is straight and allows the correct positioning of the pergola awning in terms of height of the beams. Additionally, ensure the ground is sound enough to support the load of the pergola awning with added load of water or snow stored on top of the retractable screen for safety measures. The non-retractable parts of the awning are designed in a way, that loads of max. 800 Pa (800 N/m²) do not lead to deformation (if the screen is fully retracted).

WARNING

To prevent risks during installation, the installer must have sufficient knowledge in the following qualifications:

- Occupational safety and health (OSH), operational safety and accident prevention regulations given by the Employer's Liability Insurance Association
- Handling and transport of long and heavy components
- Handling of ladders and scaffolding
- Evaluation of basic structures of a building
- Handling of tools and machines
- Handling and installation of fastening equipment
- Commissioning and operation of products
- Electrical work and repairs must be performed by a qualified electrician

In case not every qualification can be covered by the installer, seek for a professional installation specialist to perform the installation.

Wind resistance classes

This retractable screen is designed to withstand Beaufort force 5 wind speeds, which equals wind resistance class 2. The combination of wall type and mounting material used at your installation site might result in a lower wind resistance class for your retractable screen.

An installation specialist will be able to provide information about the wind resistance class the pergola awning can withstand after the installation. The table below can be used to identify different wind speeds by observing tree movement:

WIND RESISTANCE CLASS	BEAUFORT FORCE	WIND SPEED	IMPLICATION
0	1-3	up to 19 km/h	Leaves and small twigs constantly moving
1	4	20 - 27 km/h	Small branches begin to move, loose paper is raised from the ground
2	5	28 - 37 km/h	Branches of moderate size move, small trees in leaf begin to swat
3	6	38 - 48 km/h	Large branches in motion, umbrella use becomes difficult

Mounting material

A fully extracted retractable screen has to be able to withstand extreme loads at its fastenings. Depending on the wall type at the installation site, the correct fastening must be selected in order to ensure a secure fixation. The table below provides a basic recommendation of fastenings for different wall types, but a specialist should be consulted in order to figure out which fastening is the appropriate one. He will also be able to inform about the wind resistance class the awning can withstand after the installation.

WALL TYPE	LOCATION	FASTENING
Concrete Concrete / C20-C25	Ceiling Ceiling / insulated Wall Wall / insulated	e.g. TOX Anchor bolt S-Fix Pro 1 A4 e.g. TOX Thermo Proof Plus e.g. TOX Anchor bolt S-Fix Pro 1 A4 e.g. TOX Thermo Proof Plus
Solid brick Clay brick / MZ Sand-lime brick / KS	Wall Wall / insulated	e.g. TOX Masonry Set Wallix e.g. TOX Thermo Proof Plus
Perforated brick Clay brick / HLZ Sand-lime brick / KSL	Wall Wall / insulated	e.g. TOX Masonry Set Wallix e.g. TOX Thermo Proof Plus
Aerated concrete Gas concrete / PB2	Wall Wall / insulated	e.g. TOX Mosorny Set Wallix e.g. TOX Thermo Proof Plus
Cavity wall	Wall / insulated	e.g. TOX Thermo Proof Plus

WARNING

To meet the wind resistance class mentioned in the declaration of conformity, the installed awning needs to fulfil these requirements:

- **The retractable screen is installed with the recommended type and number of brackets.**
- **The retractable screen is installed under consideration of the given fastening pull-out forces.**
- **The instructions of the fastening manufacturer have been respected during installation.**

The combination of wall type and mounting material used at your installation site might result in a lower wind resistance class for your retractable screen.

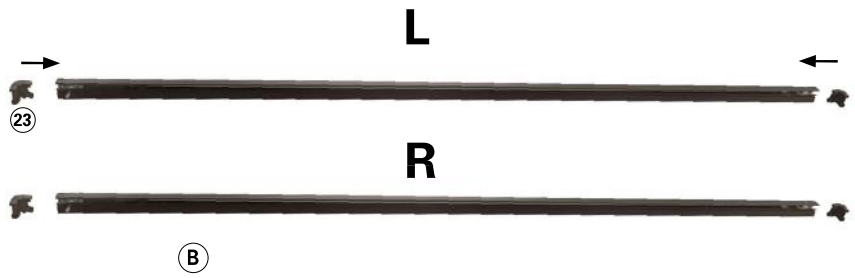
WARNING

For every mounting material, the specifications of the fastening manufacturer must be observed, e.g. drill sizes, distances to edges, tensioning torques, drying times etc.

1

Left and right beams

Attach the corner brackets (4 x) ⑳ to the ends of the left and right beams ㉑ of the pergola awning. Be sure to face the side of the beam featuring the opening in the same direction as the open ends of the corner brackets ㉑. No screws or bolts are required for this step.

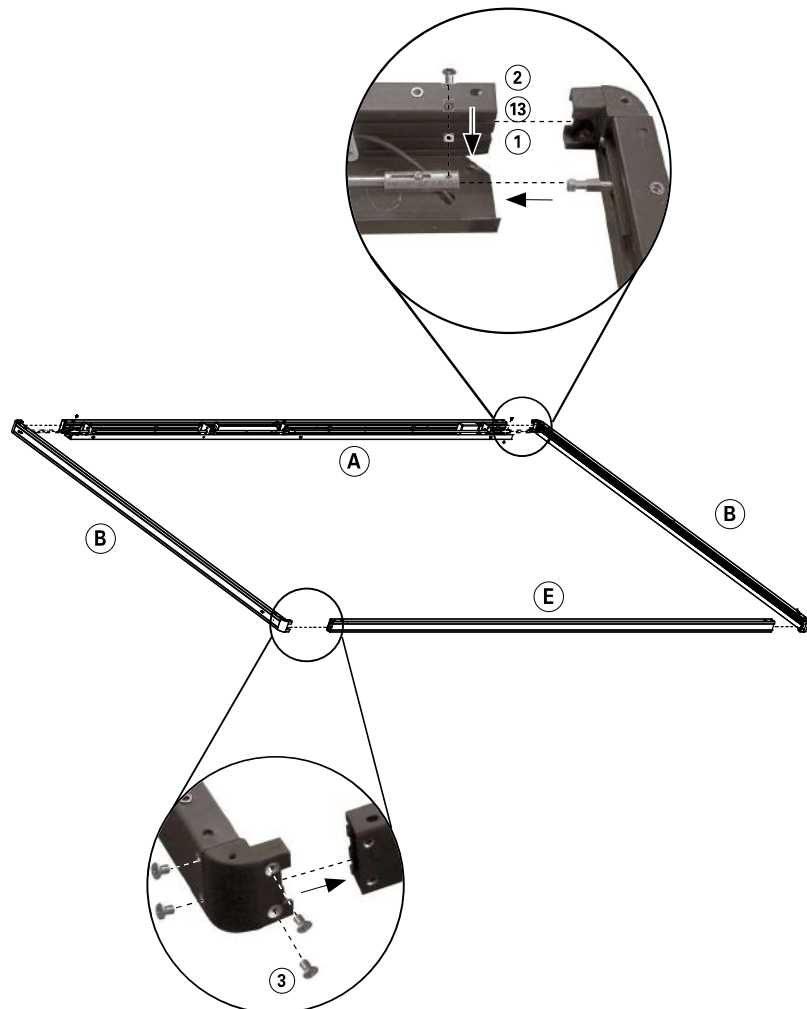


2

Front and backside beams

Connect the right beam ㉑ to the backside beam ㉒ as follows (back to front): M6x8 bolt ②, Ø6 washer ⑬, M6 washer (plastic) ①. The frontside beam ㉔ is to be connected to the right beam ㉑ by means of four M6x10 full thread screws ③.

Complete the framing structure by repeating the above-mentioned process on the left side. The frontside beam ㉔ is to be connected to the left beam ㉑ by means of four M6x10 full thread screws ③.



3

Reinforcement of frame corners

With the four beams connected to each other through the corner brackets, strengthen the overall structure by fixing the corner face plate (24) and corner bottom plates (25).

Fix the corner face plates (24) and the respective corner bottom plates (25) to the corners of the backside beam.

Use the following parts:

M8x100 bolts (12)

Ø8 washers (15)

M8 nuts (18)

M6x20 bolts (6)

Ø6 washers (13)

M6x20 hex socket bolts (from beneath) (9)

On the two corners of the front-side beam place the corner face plates (24) and the respective corner bottom plates (25) to the corners of the frontside beam.

Use the following parts:

M8x100 bolts (12)

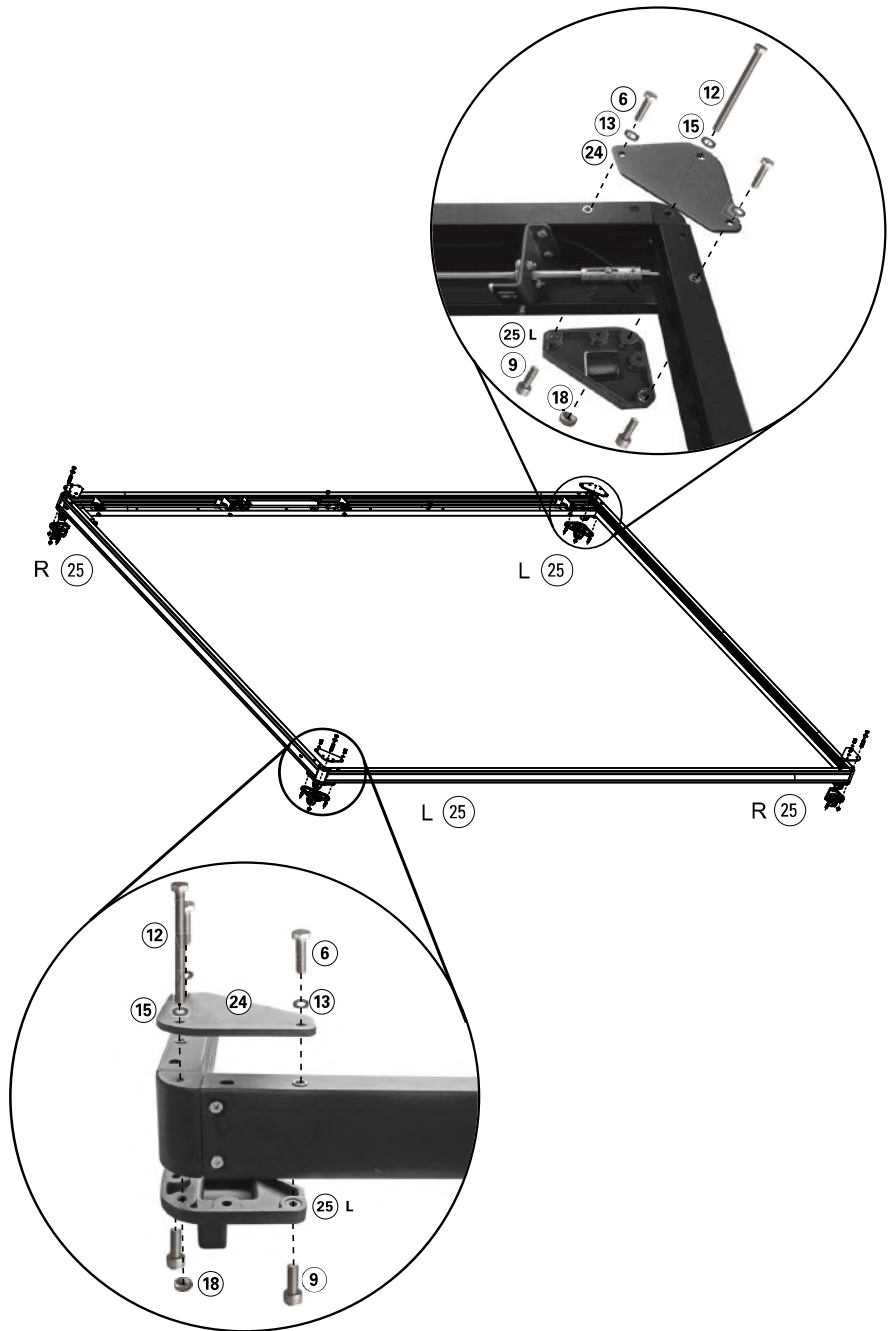
Ø8 washers (15)

M8 nuts (18)

M6x20 bolts (6)

Ø6 washers (13)

M6x20 hex socket bolts (from beneath) (9)



4

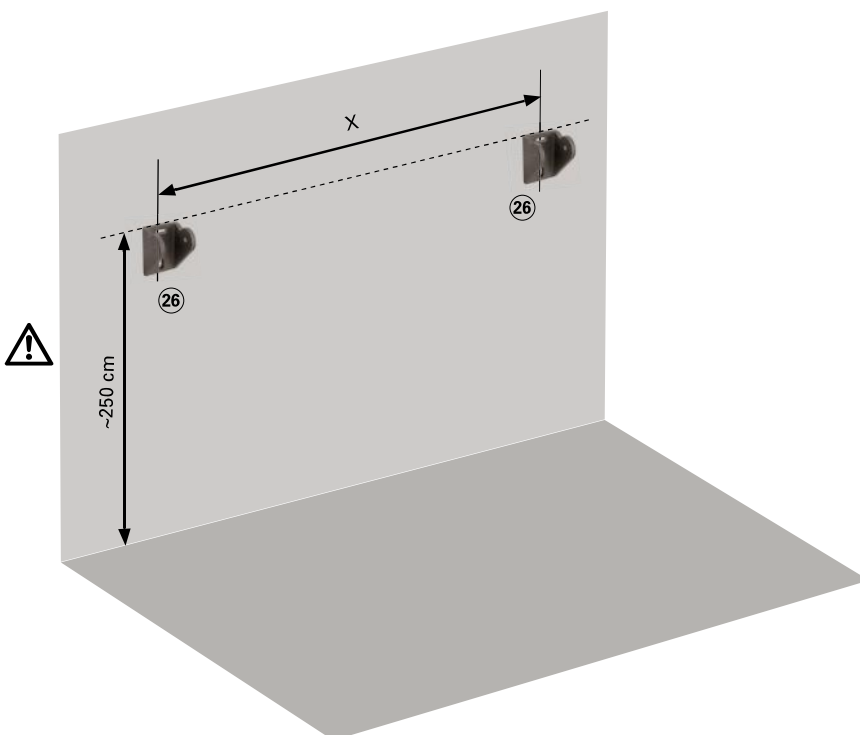
Mounting bracket 2x (e.g. in concrete)

The mounting brackets (26) must be installed level and about 250 cm above the ground. The distance X between the insides of the mounting brackets (26):
6828262: 385 cm
10178483: 385 cm
10178484: 285 cm

Mark the installation holes (4 x) of the mounting brackets (26) on the wall.

Caution: The free-standing may collapse when fixed improperly! According to your wall type, drill the holes and insert suitable plugs (4 x) (see section "Mounting material").

Install the mounting brackets (2 x) (26) with the pointy side facing downwards and the curved side facing upwards. Ensure they are securely fixed in place.



5

Mounting the framing backside

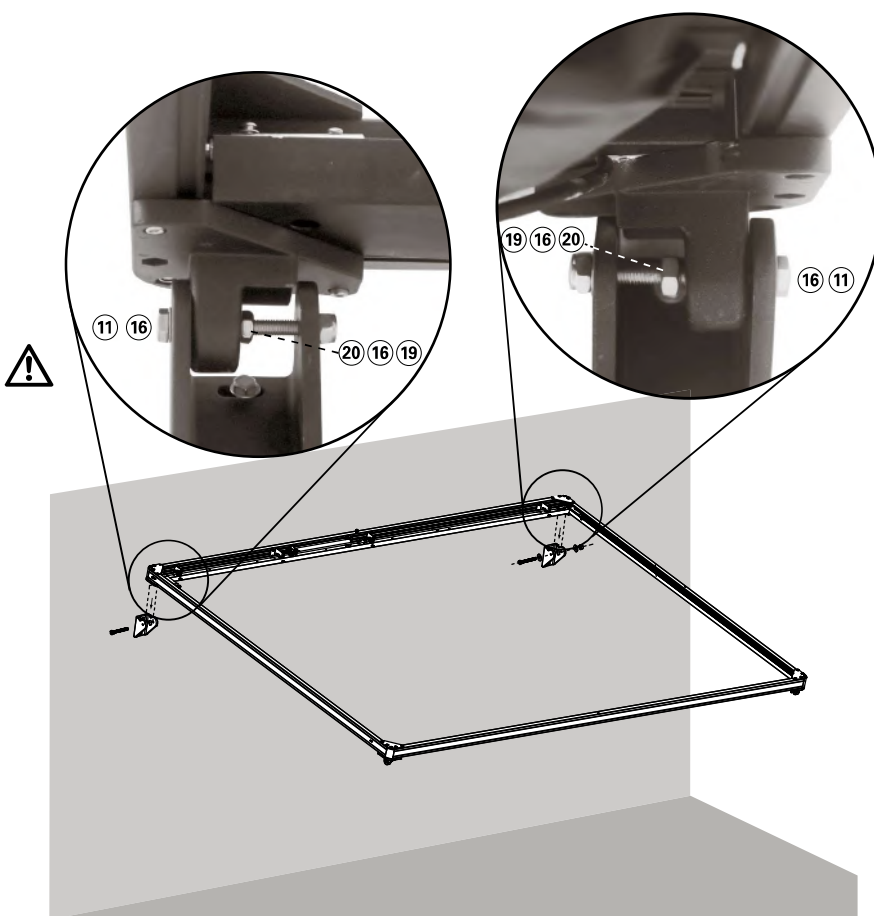
After both wall brackets have been mounted properly you can fix the awning.

At least two ladders or treads are required for steps 5 to 11.

Ensure that the ladders/treads are firmly resting on the ground so that you cannot fall. Only use ladders/treads that are suitable for such assembly work.

Place the framing with the backside beam on the wall mounts and immediately secure with the following parts: M10 locking nut (19), Ø10 washers (16), M10 nuts (20) and insert the M10x90 full thread bolts (11) through the entire assembly (2 x).

Ensure the connections are tight and secure before moving on to the frontside beam.



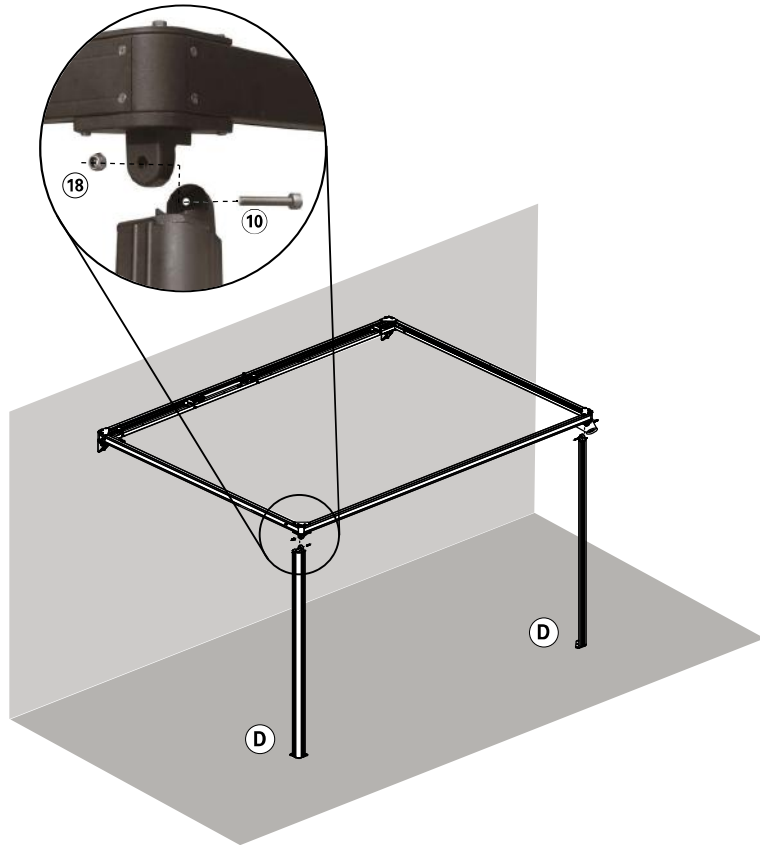


6

Mounting the framing frontside

With the backside of the framing being mounted securely, use the provided columns (L/R) (D) to support the frontside of the framing.

Connect the left column to the left front corner. Use the provided M8x50 partial thread bolt (10) and M8 locking nut (18). Repeat the same process for the right front corner of the framing.



7

Connect the beams to the ground

With the structure fully completed, connect it to the ground.

Mark the holes through the openings of the floor plates of the columns.

The distance X between the wall and the front edge of the floor plates:

6828262: 394 cm

10178483: 294 cm

10178484: 394 cm

The distance Y between the outsides of the floor plates:

6828262: 394 cm

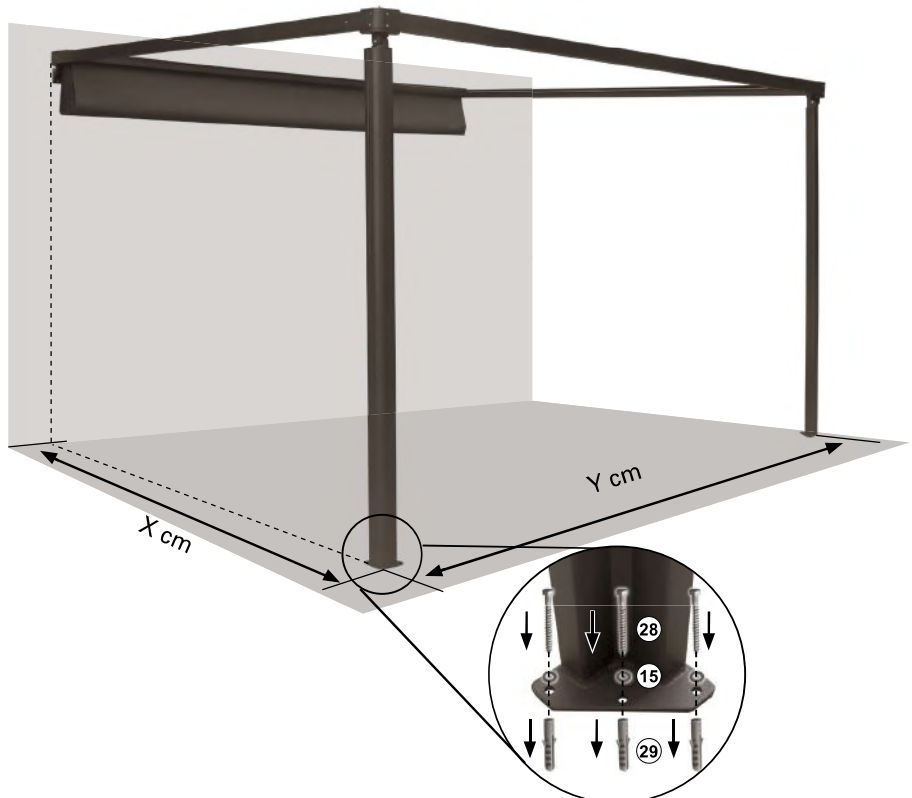
10178483: 394 cm

10178484: 294 cm

Mark the installation holes (6x) of the floor brackets on the ground.

According to your flooring type, drill the holes and insert suitable plugs (6 x).

Fix the floor plates of the columns in place with suitable bolts.

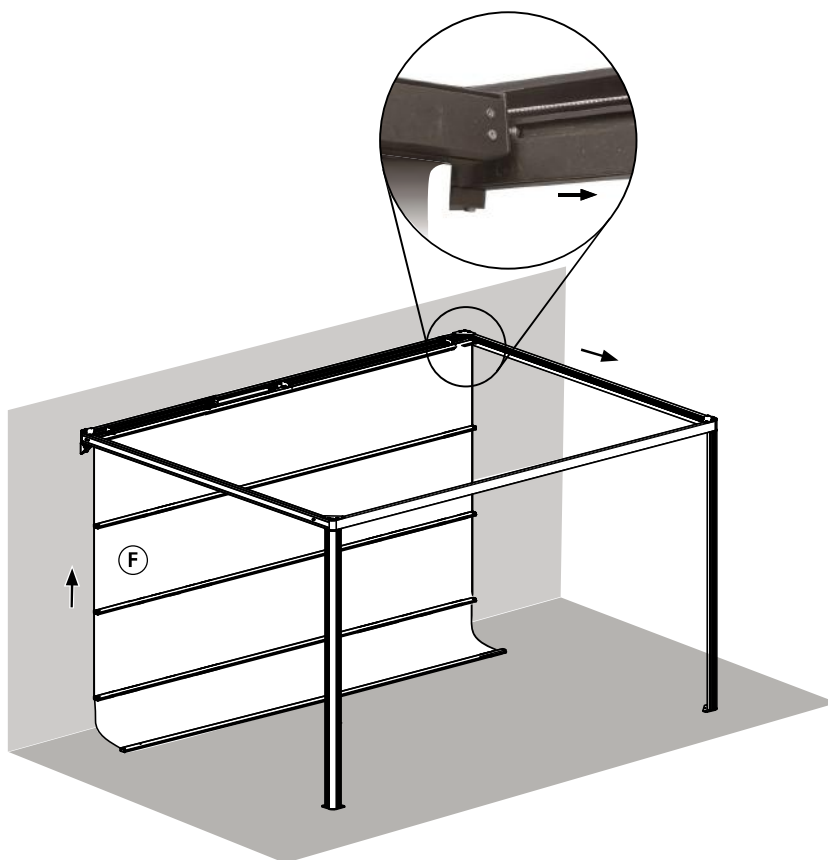


8

Inserting the retractable screen

With the frame being supported on all four corners you can start the process of assembling and installing the retractable screen (F).

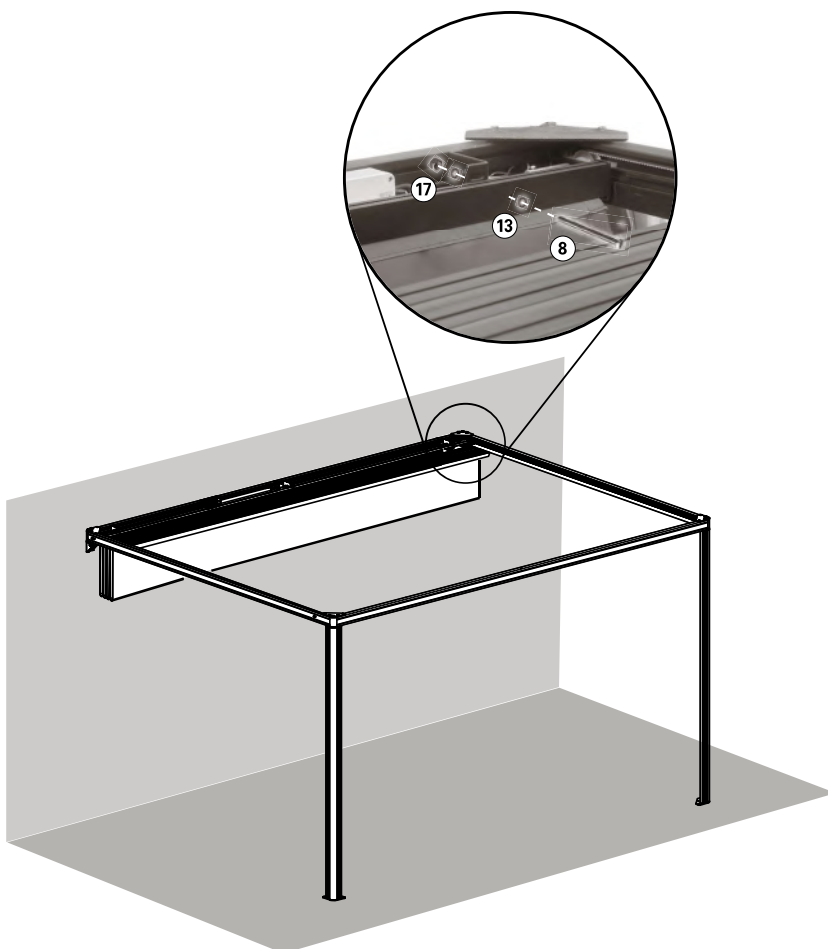
Hang the screen to the frame with the twin rod first. This is essential for correct functioning of the retractable screen once installed correctly.



9

Attaching the retractable screen

Connect the retractable screen (F) to the already-installed Z-brackets inside the backside beam of the framing. Use a M6x40 full thread bolt (8) and two Ø6 washers (13) and a M6 locking nut (17). Repeat the same for all Z-brackets and ensure that the connections are tight.



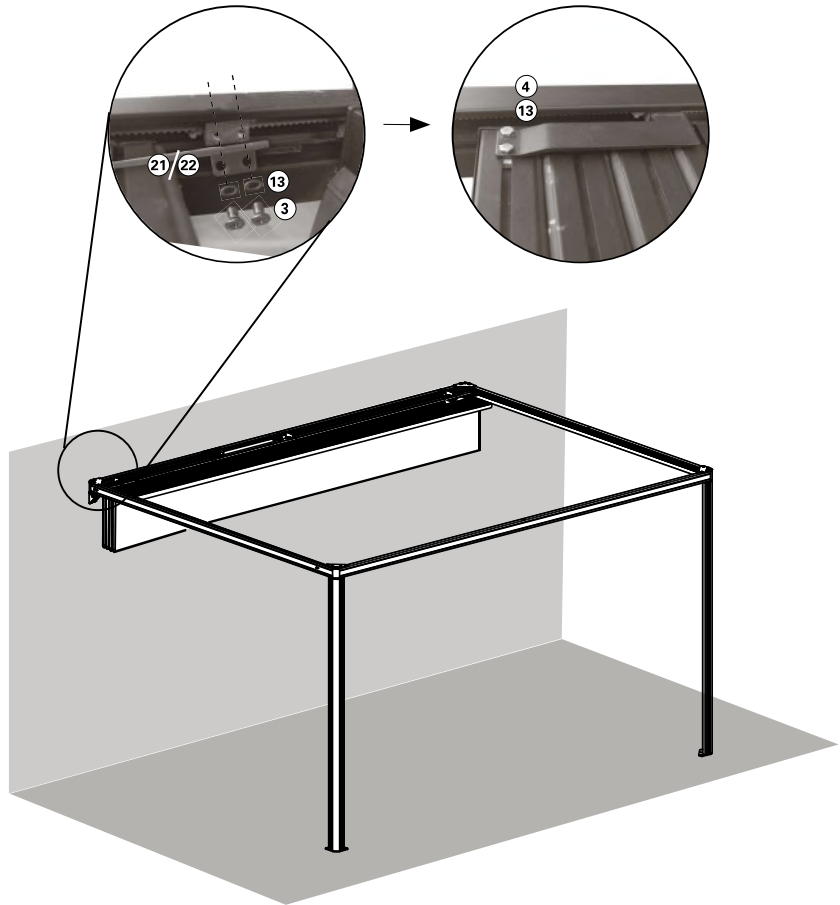
10

Assembling the retractable screen

With the retractable screen hanging safely inside the framing, place the provided L-brackets (L/R) 21/22 on top of the corresponding sides of the retractable screen.

Use 2 M6x8 full thread bolts 3 and 2 Ø6 washers 13 to secure the L-brackets to the slides in the left and right beams of the frame. Once this connection is secure, continue by using 2 M6x12 full thread bolts 4 and 2 Ø6 washers 13 to join the L-brackets to the twin rod of the retractable screen. Ensure the L-brackets are securely connected and all bolts are tight.

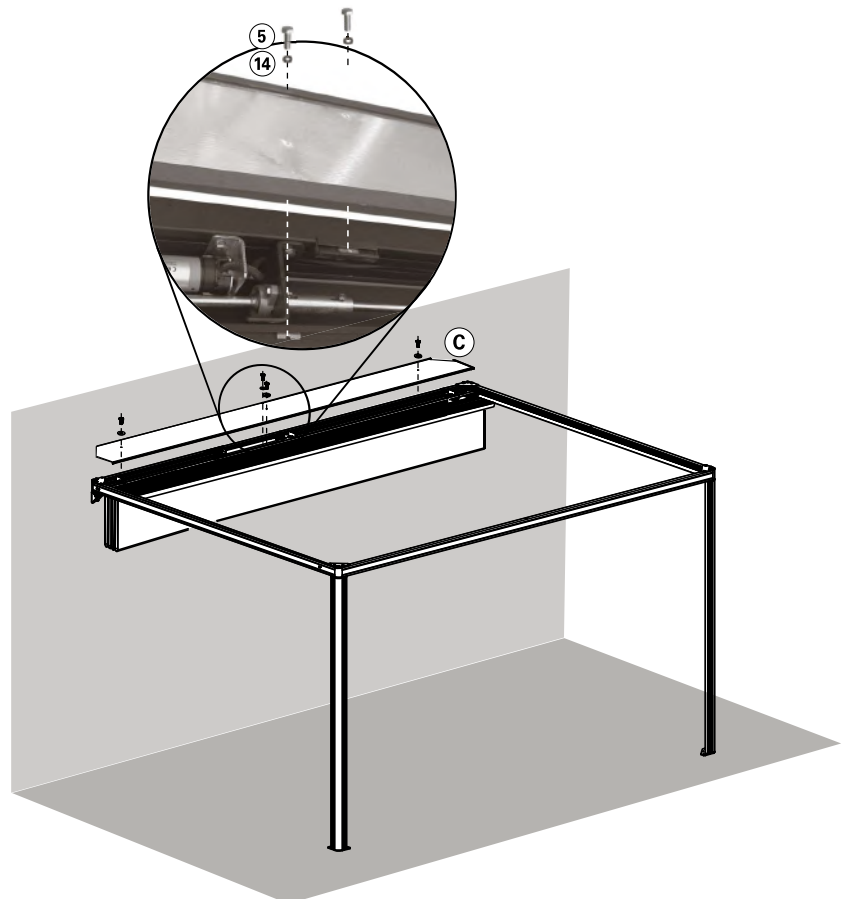
Once this connection is complete, the retractable screen can move along the rails inside the left and right beams.



11

Connecting the top face plate

Ensure the retractable screen is completely folded and placed as far to the backside of the frame as possible. Install the top face plate C to complete the encasing of the screen. Use M6x16 full thread bolts 5 and Ø6x16 washers 14 to attach the face plate to the backside beam of the frame.

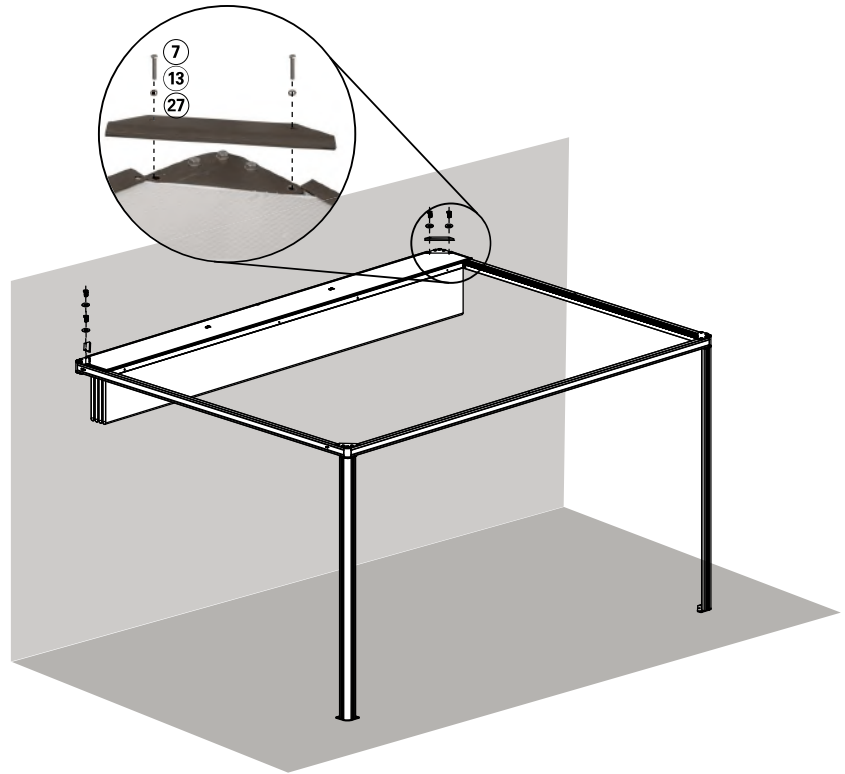


12

Finish the top face plate

Place the 2 top corner face plates (27) on the seams of the backside beam with the top face plate, each in the corresponding corner (L/R). Fix the top corner face plates (27) in place by using a combination of 2 M6x30 full thread bolts (7) and 2 Ø6 rings (13).

The installation of the pergola awning is now complete.



13

Connect the retractable screen to a power source

Connect the power plug of the cable on the backside beam to a suitable socket (see technical data).

Make sure people cannot become entangled in the power cord. Keep cord away from heat, oil, sharp edges.

Caution! If the supply cord is damaged, it must be replaced by the manufacturer or its service agent or similarly qualified person in order to avoid hazard. Electrical work and repairs must be performed by a qualified electrician.

Caution: Make sure that the power connection meets the requirements stated on the type plate, or in the technical data.



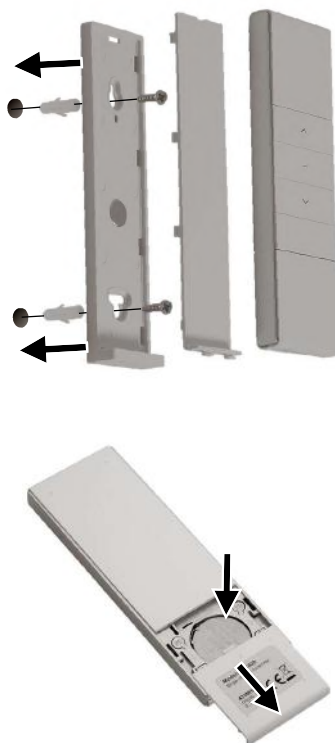
14

Remote control holder 1x

Drill two holes and fix the plastic support of the remote control holder with the plugs and screws. Slide the holder onto the plastic support and insert the remote control.

Inserting the remote control battery

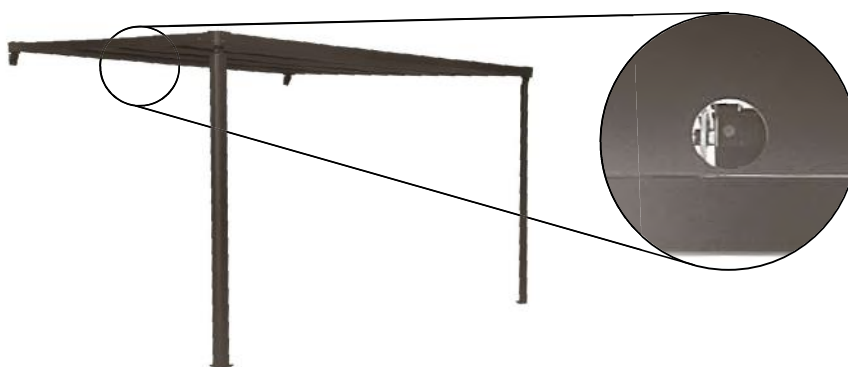
Slide out the battery cover from the back of the remote control. Place the delivered CR2450(Lithium) battery with + (plus pole) facing upwards into the battery support and reinsert the battery cover.



Adjusting the screen


1

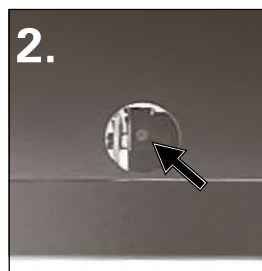
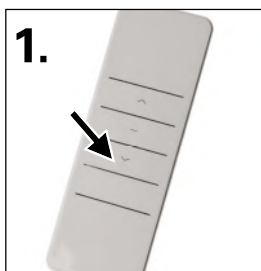
Adjust the optimal retraction and expansion point of the screen with the help of the adjusting button on the motor.



2

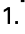
Adjusting the optimal retraction point of the retractable screen

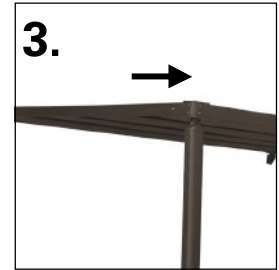
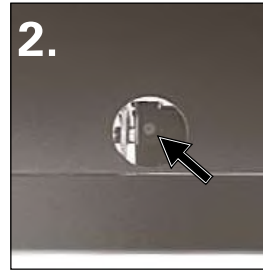
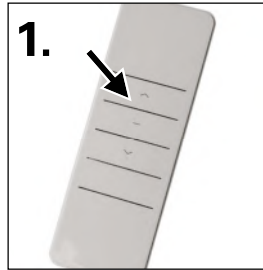
1. Press  button on the remote control once.
2. Press adjusting button on the motor. The awning starts retracting.
3. Release button when awning is completely retracted. The motor stops running.



3

Adjusting the optimal expansion point of the retractable screen

1. Press  button on the remote control once.
2. Press adjusting button on the motor. The awning starts expanding.
3. Release button when awning is completely expanded. The motor stops running.






Operation

1

Extending and retracting the retractable screen

Press the buttons on the remote control:

-  button: extract the retractable screen
-  button: retract the retractable screen
-  button: stop any movement of the retractable screen.

Always watch the retractable screen if you are extracting or retracting it.

Caution! Do not place any objects on top of the retractable screen or the pergola awning. Do not touch the moving parts of the pergola awning during opening and closing.



Cleaning and care

Fabric

Awning fabric is a high-quality product mostly made from acrylic or polyester fibers (according to the declared properties). It will maintain its quality for years, if a few requirements are observed. The local environment has a huge impact on the cleaning frequency. Dry environments require less cleaning than humid ones. The fabric can be cleaned as required, but a general cleaning should be carried out every two to three years and at warm and dry weather conditions:

1. **Extract the retractable screen completely.**
2. **Brush off loose dirt and debris.**
3. **Wet the fabric with a garden hose.**
4. **Mix mild soap with lukewarm water.**
5. **Clean the fabric with a soft brush from both sides.**
6. **Let the soap water soak in for ten minutes.**
7. **Thoroughly rinse the fabric with a garden hose.**
8. **Let the fabric air dry, do not apply heat.**
9. **Retract the retractable screen.**

FABRIC INFORMATION

Due to its functional requirements and production methods, retractable screen fabric has specific characteristics that do not affect the quality of the fabric or reduce its suitability for use.

- Creasing occurs during confection and folding of fabric. Creased areas may look darker, especially on light colours.
- Chalk effects, visible as light stripes, can occur during production.

- Ripples in the seam and border can be formed by multiple layers of fabric, while it is rolled up on the roller tube.
- Rain resistance for a light and short rain is given for impregnated, water repellent fabrics if the pitch angle of the awning is 14° or more. In stronger or prolonged rain, the awning must be retracted in order to avoid damage. Wet retracted retractable screen should be extracted as soon as possible in order to dry thoroughly.

Frame

The frame is made of powder coated steel and/or aluminum components. The rest of the hardware is made of corrosion-resistant materials. Over time, dust and dirt will collect on the frame and will require periodic cleaning. Use a water/detergent mixture and a soft clean cloth to clean the frame components.

In most situations it should not be necessary to lubricate the moving components of the pergola awning.

However, when squeaking occurs, the use of a silicone spray lubricant is recommended. Attach a straw to the spray nozzle of the silicone spray and lubricate the pivot between the end of the roller tube and the end brackets on both sides. Take care not to overspray on the fabric of the retractable screen.

Important: Do not use any petroleum based spray lubricant.



CE