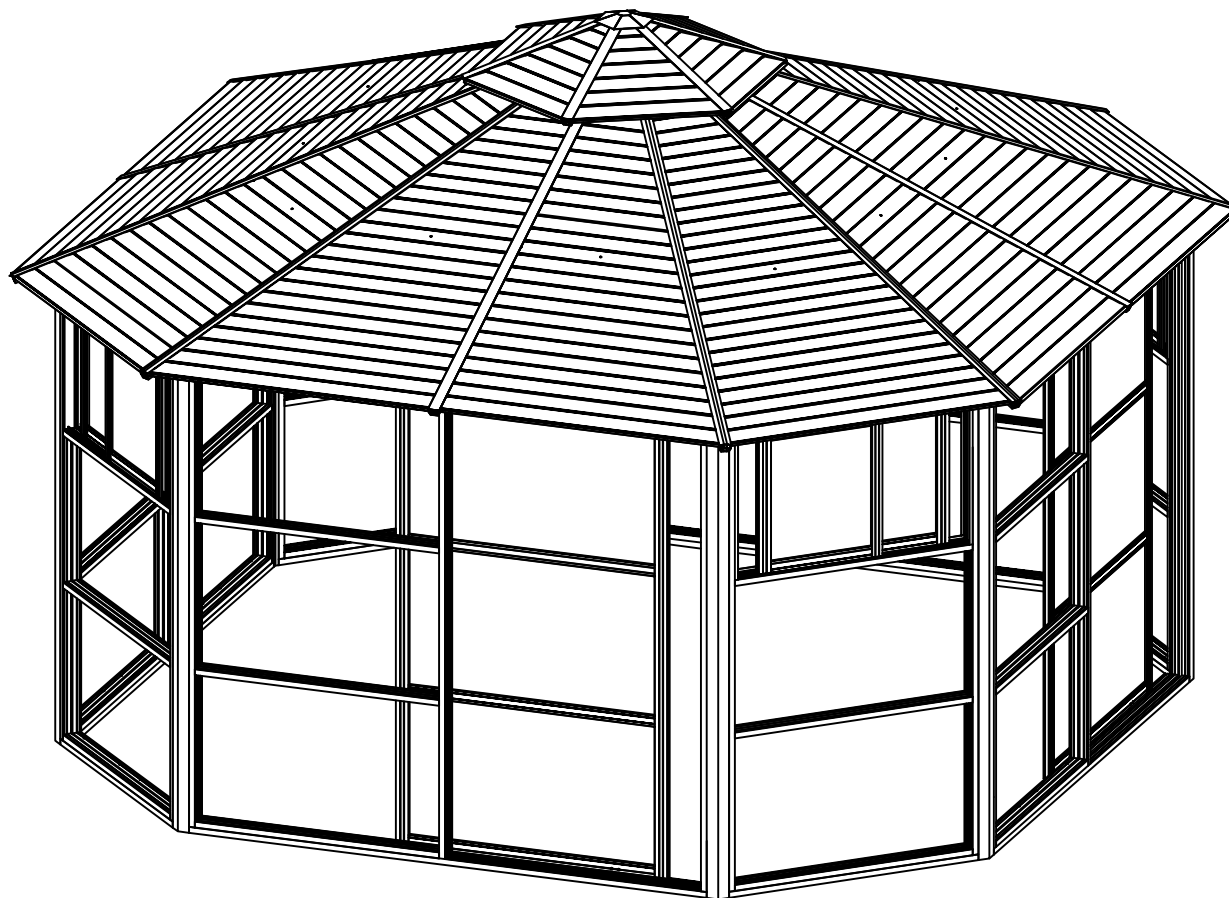


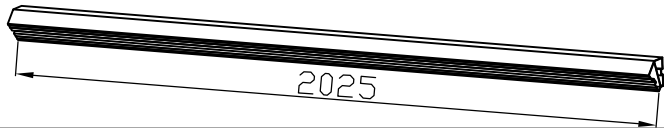

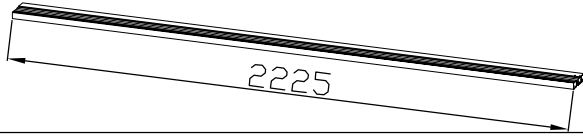
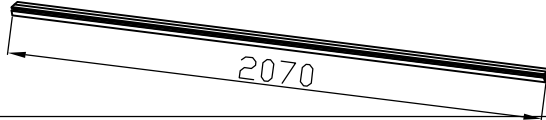
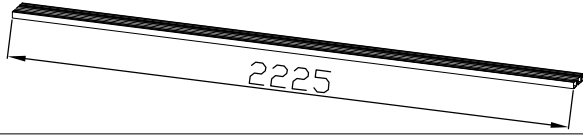

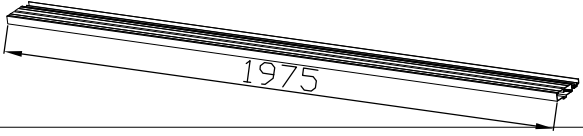
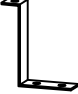
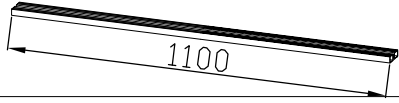
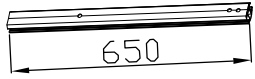
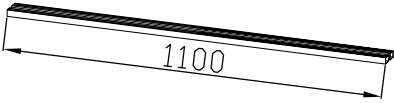
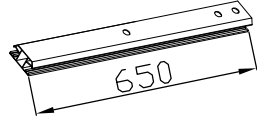
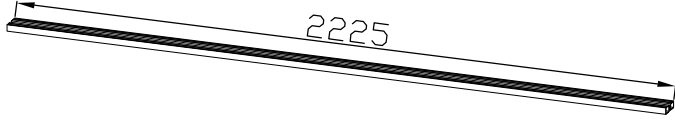
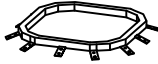
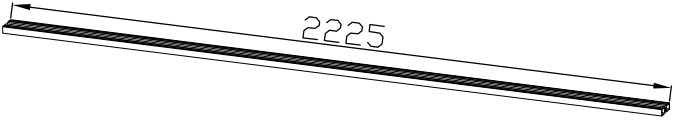

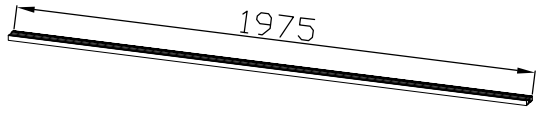
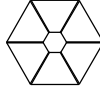
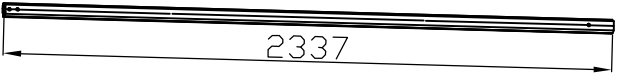
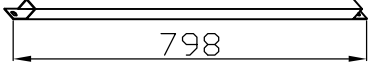
CosyLifeStyle®

Manual
for
Gazebo San Bruno
4,35x4,35m

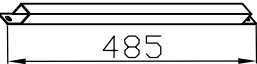
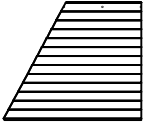
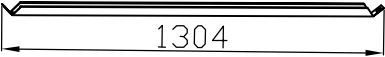
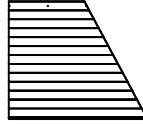
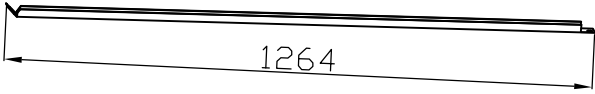
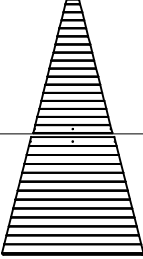
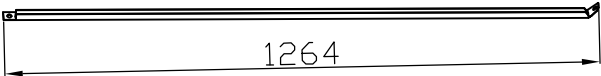

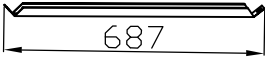



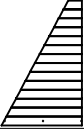
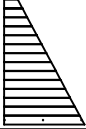
4, 35x4, 35m assembly instruction book



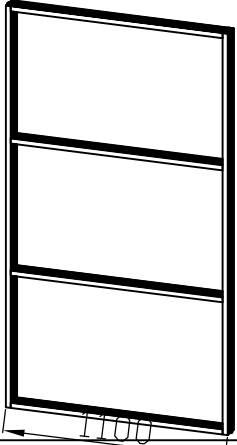
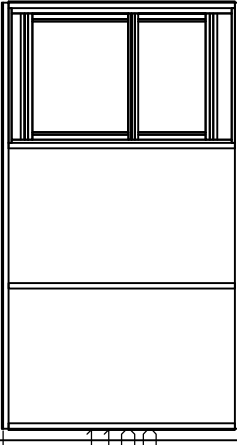
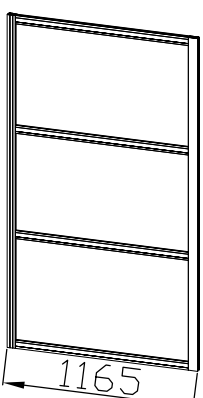
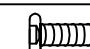
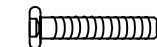

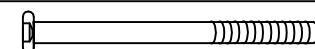

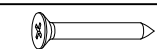
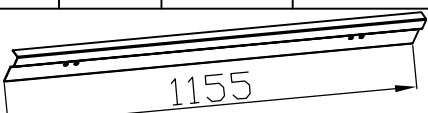






Packing list

NO.	Pcs	shape	NO.	Pcs	shape
A	8 pcs		G2	8pcs	
B1	2 pcs		H1	4pcs	
B2	2 pcs		H2	4 pcs	
C	2 pcs		I	6pcs	
D1	4 pcs		I1	4 pcs	
D2	4 pcs		I2	2 pcs	
E1	2 pcs		J	1 pcs	
E2	2 pcs		J1	1 pcs	
F	2 pcs		J2	1 pcs	
G1	8 pcs		K1	12 pcs	

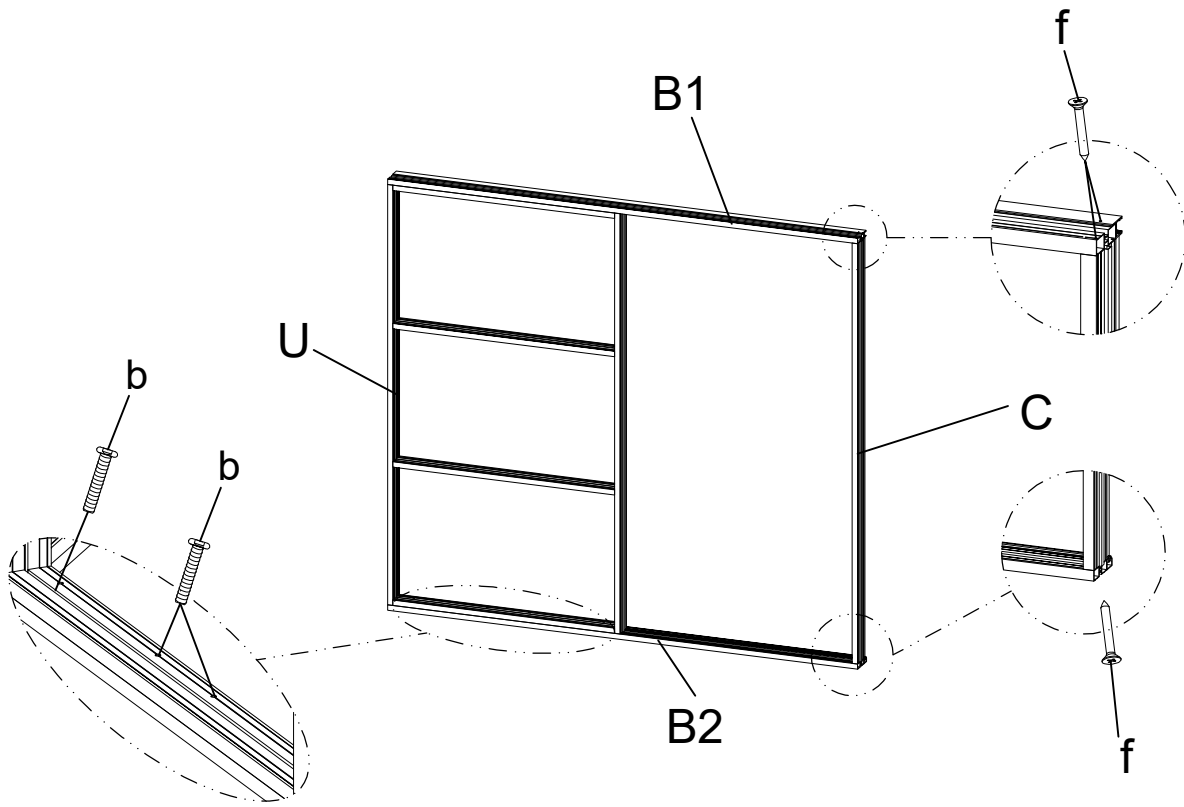
Packing list

NO.	Pcs	shape	NO.	Pcs	shape
K2	12 pcs		Q1	4 pcs	
L	4 pcs		Q2	4 pcs	
M1	4 pcs		R1	4 pcs	
M2	4 pcs		R2	4 pcs	
N	6 pcs		T1	6 pcs	
O1	12 pcs				
O2	6 pcs				
P1	4 pcs				
P2	4 pcs				

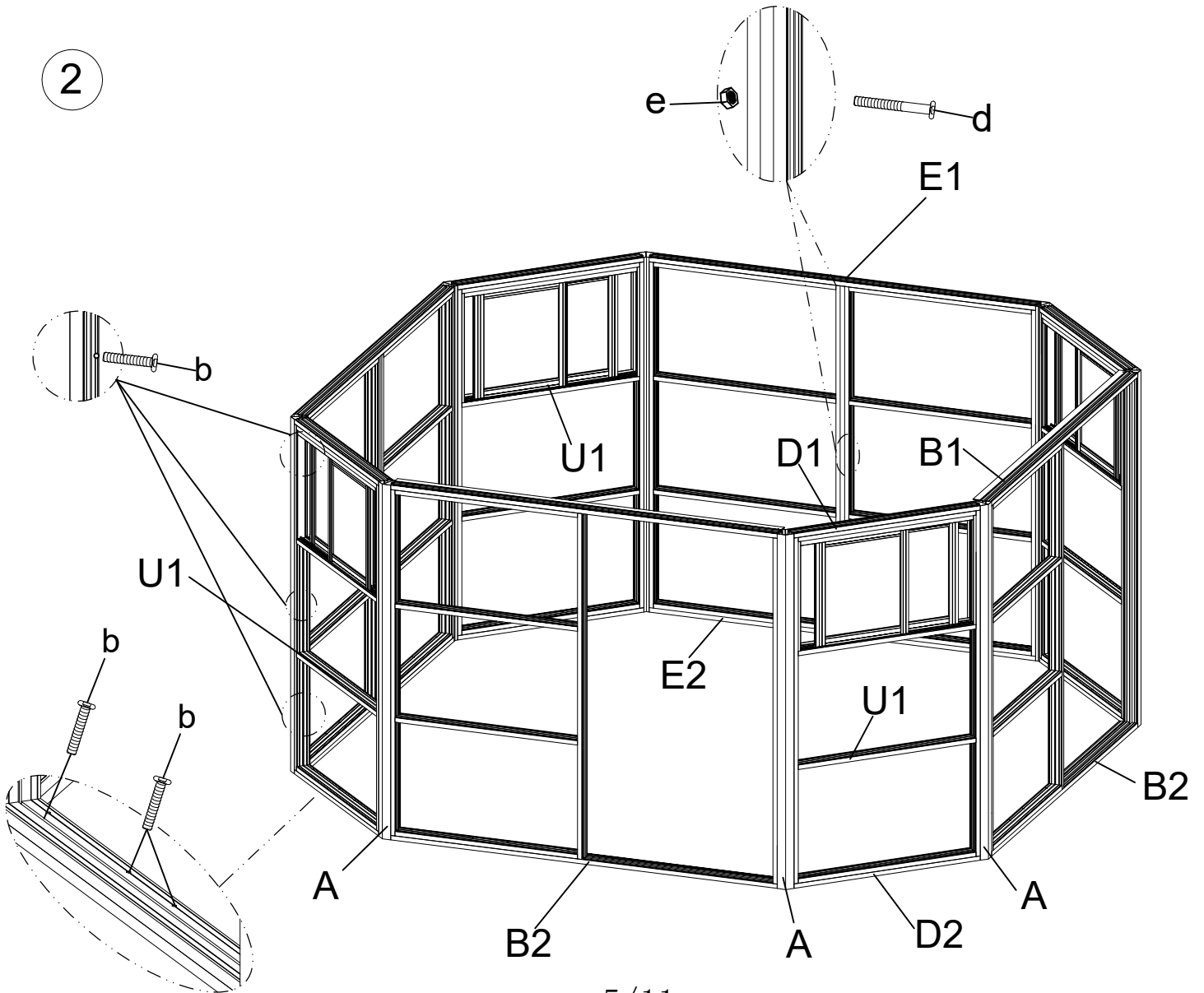
Packing list

NO.	Pcs	shape	NO.	Pcs	shape				
U	6 pcs		U1	4 pcs					
V1	2 pcs					Screw fittings			
						NO.	Specification	Pcs	
						a	M6X16	135pcs	
						b	M6X35	146pcs	
						c	Hook 2	1pcs	
						d	M6X80	10pcs	
						e	M6	18pcs	
						f	M4.2X40	10pcs	
W	2 pcs					g	M4X4	40pcs	
Z	4 pcs					h	M4	40pcs	
Z1	4 pcs					i		40pcs	
						j	M5X20	10pcs	

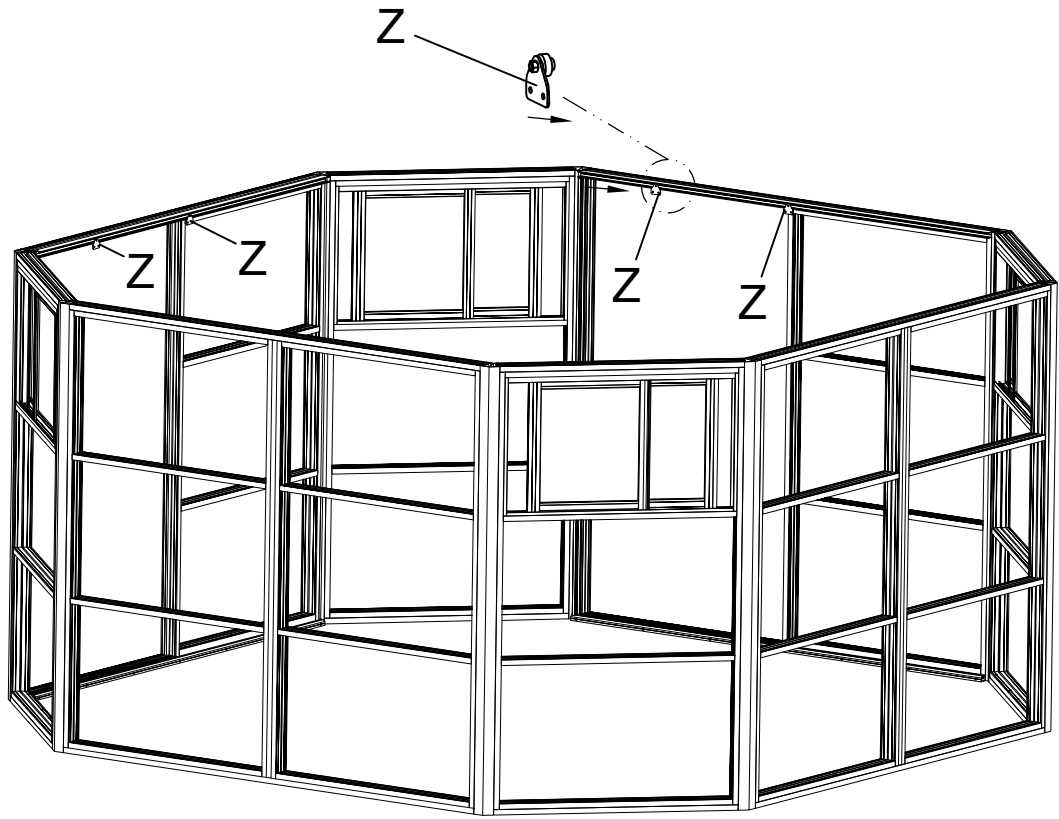
1



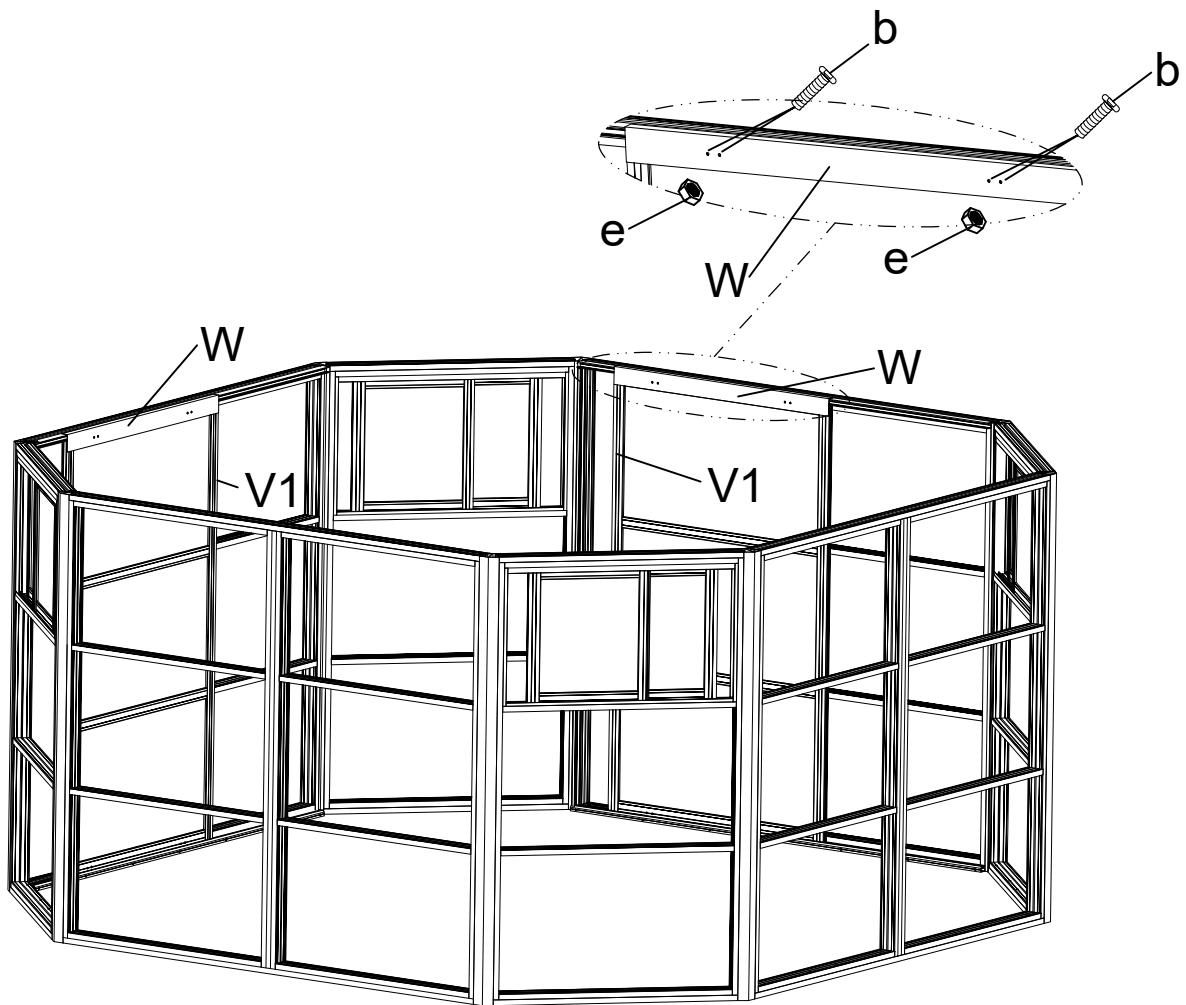
2



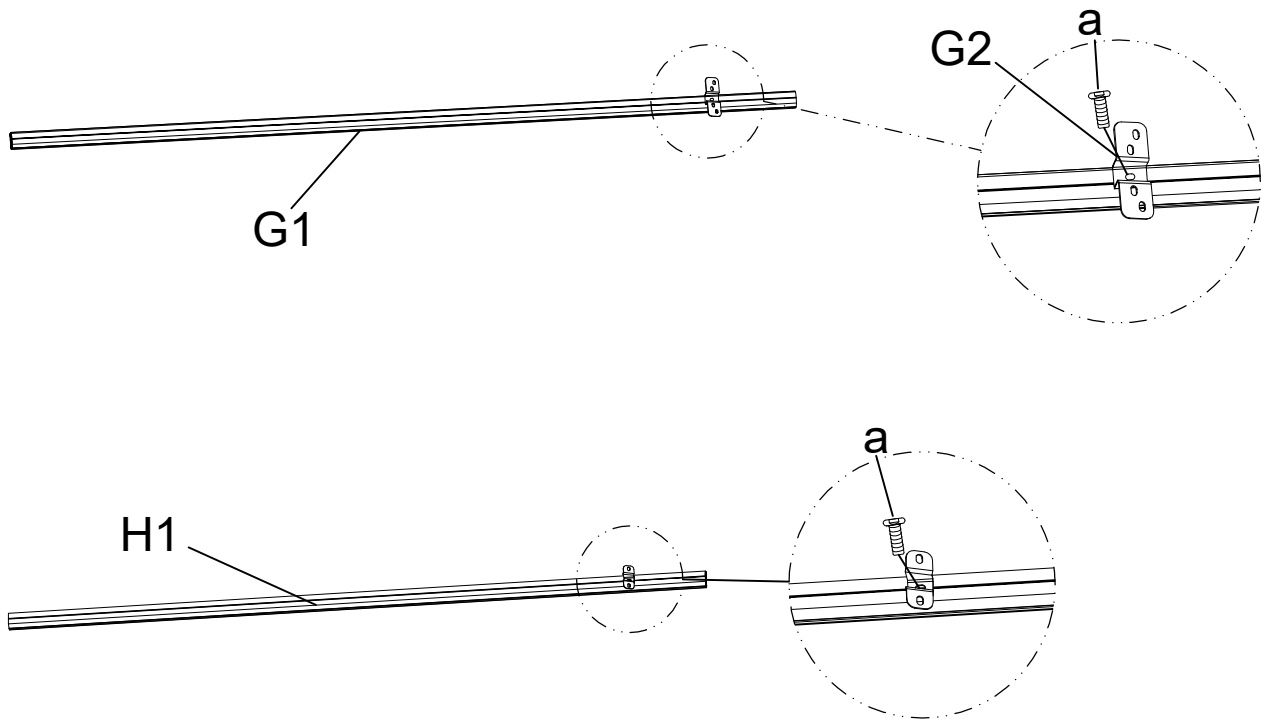
3



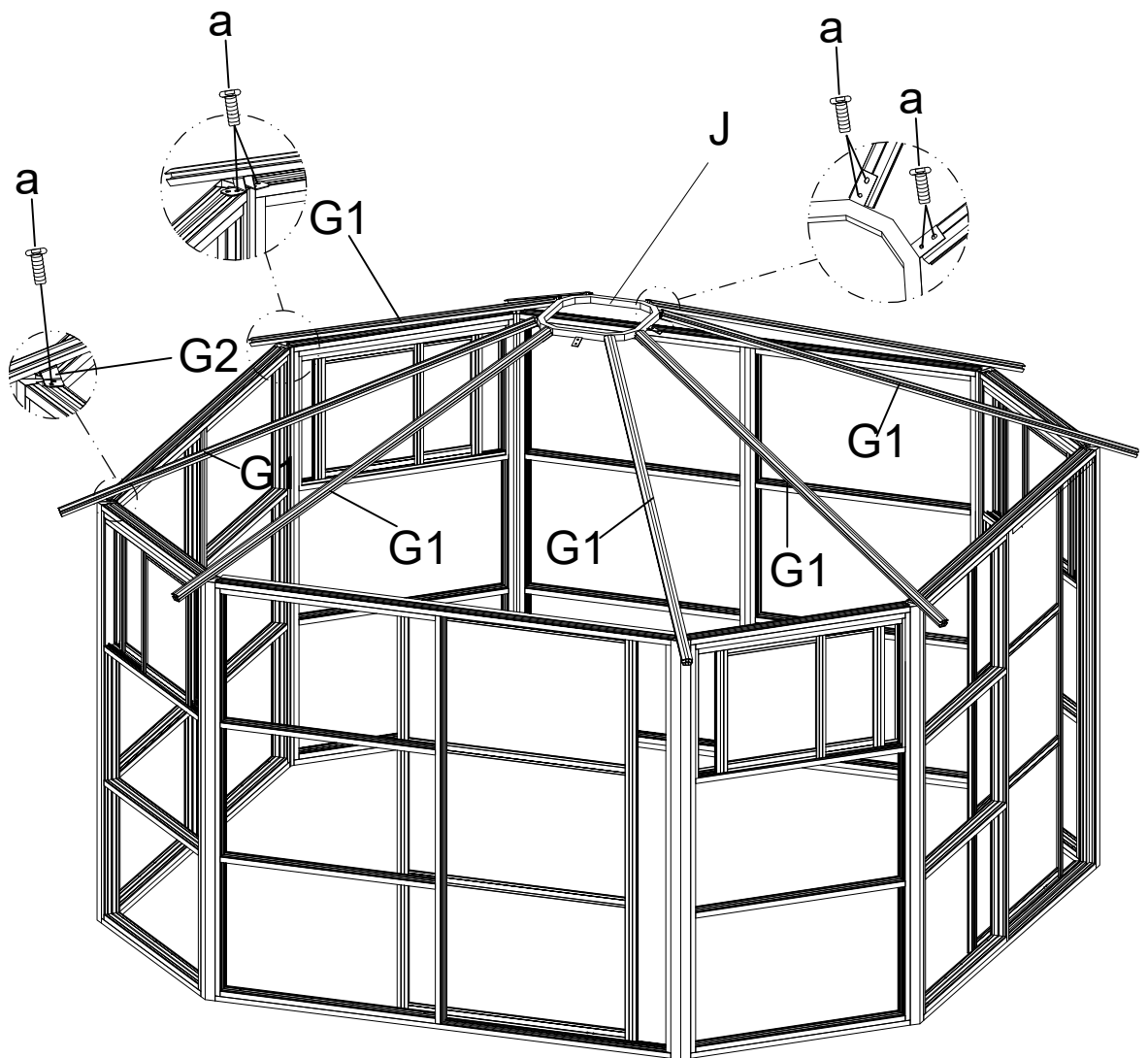
4



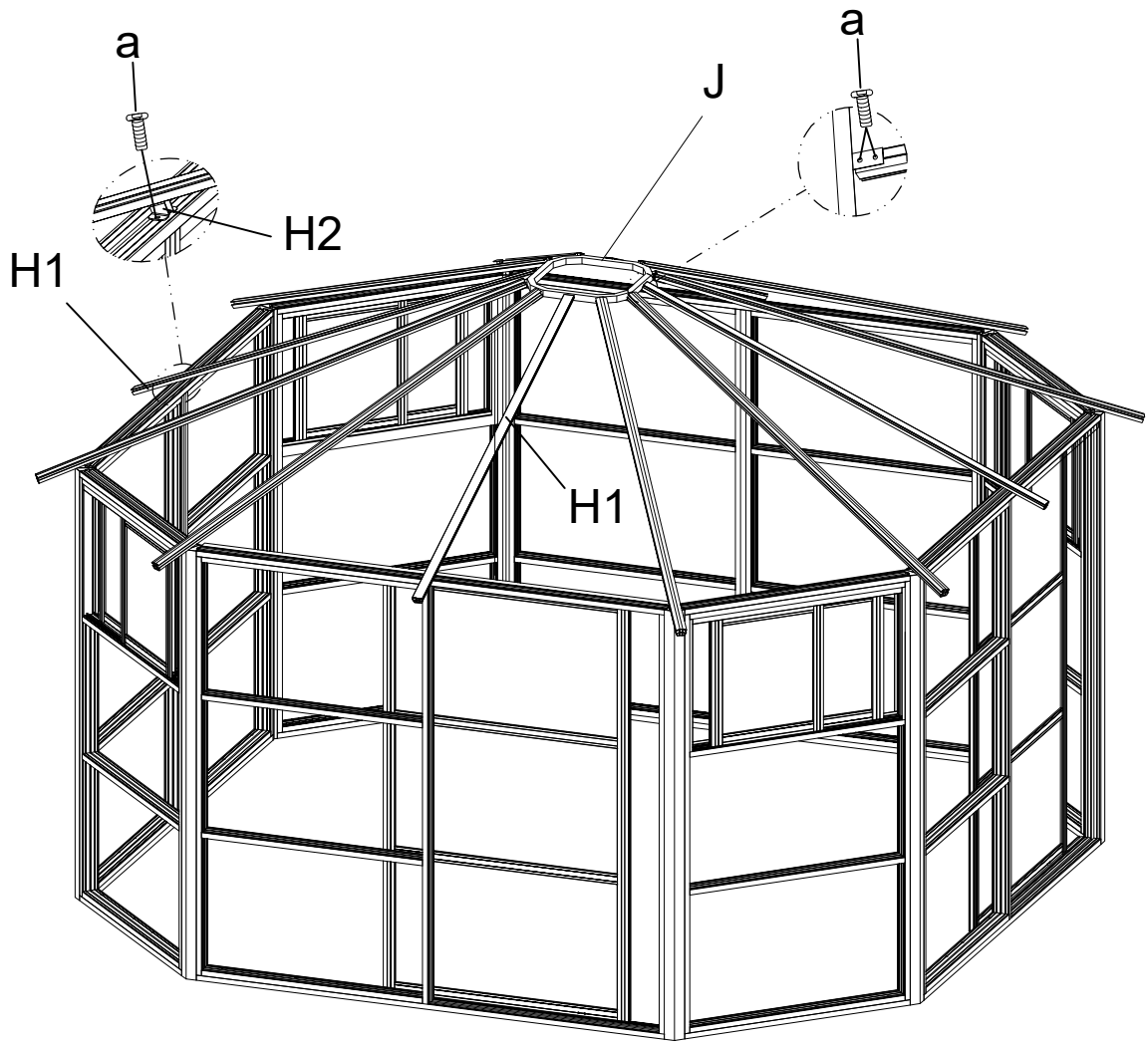
5



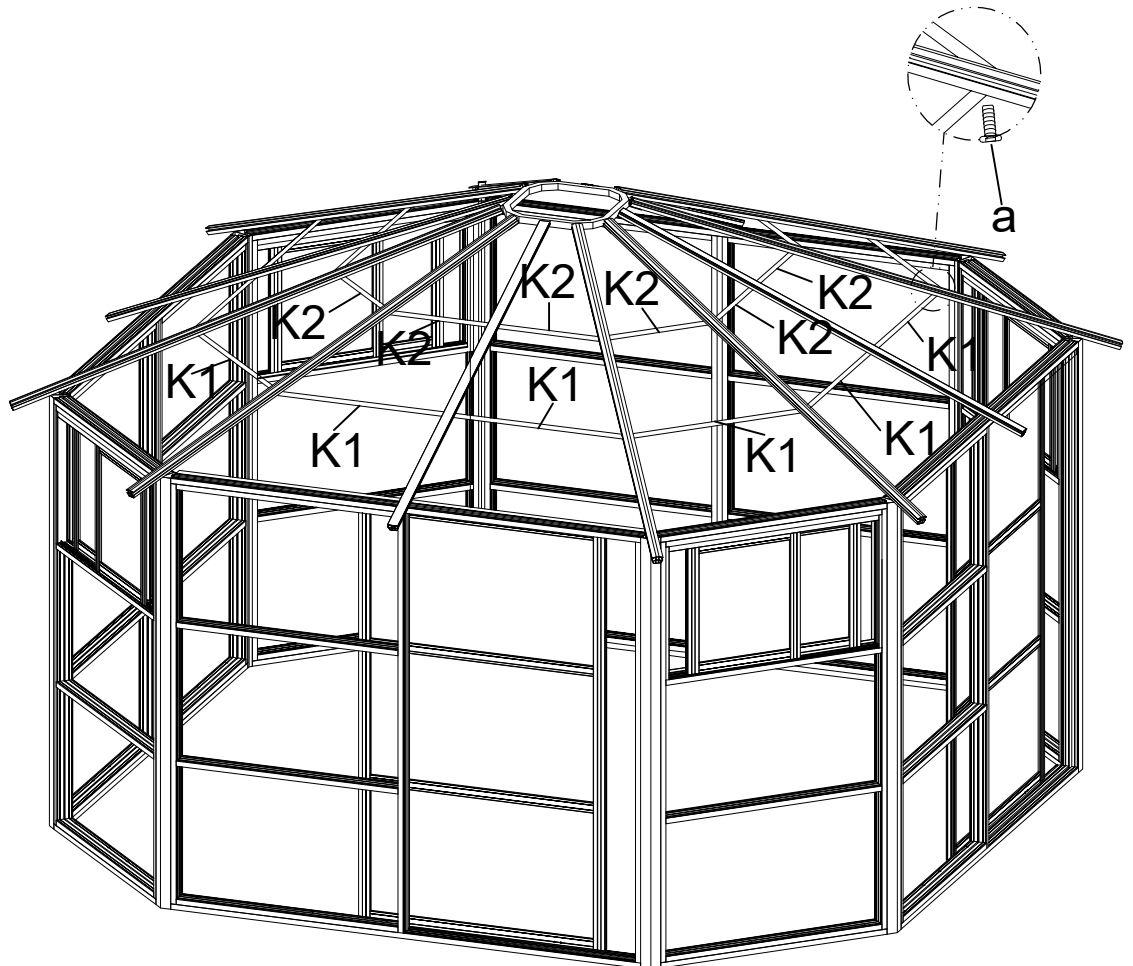
6



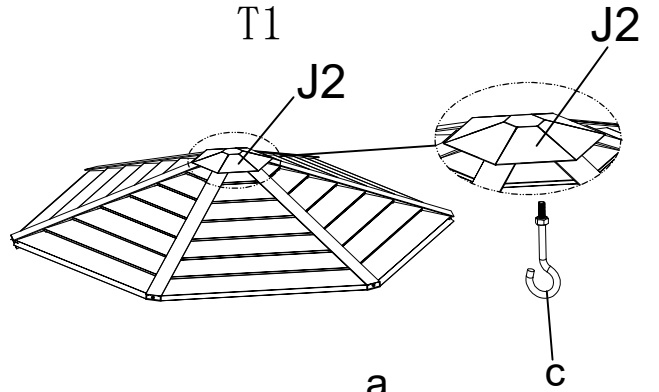
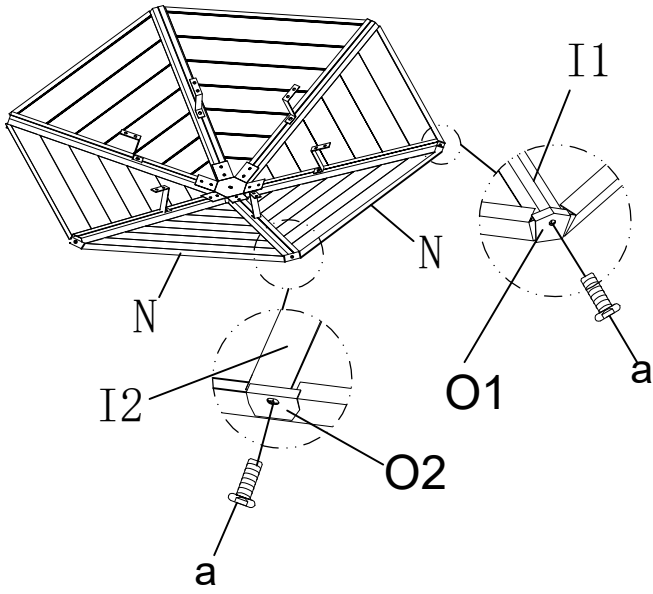
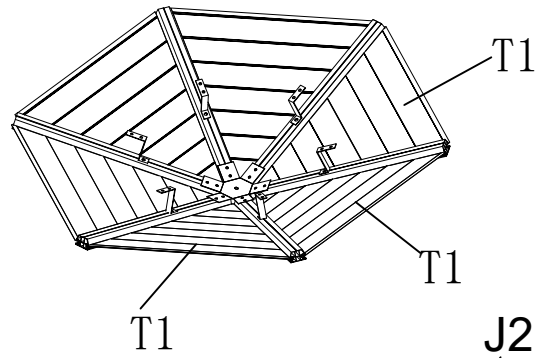
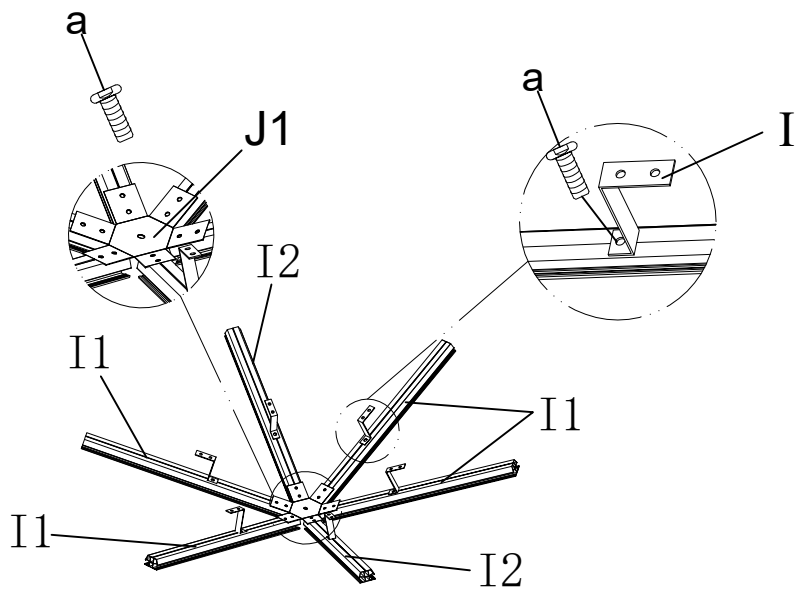
7



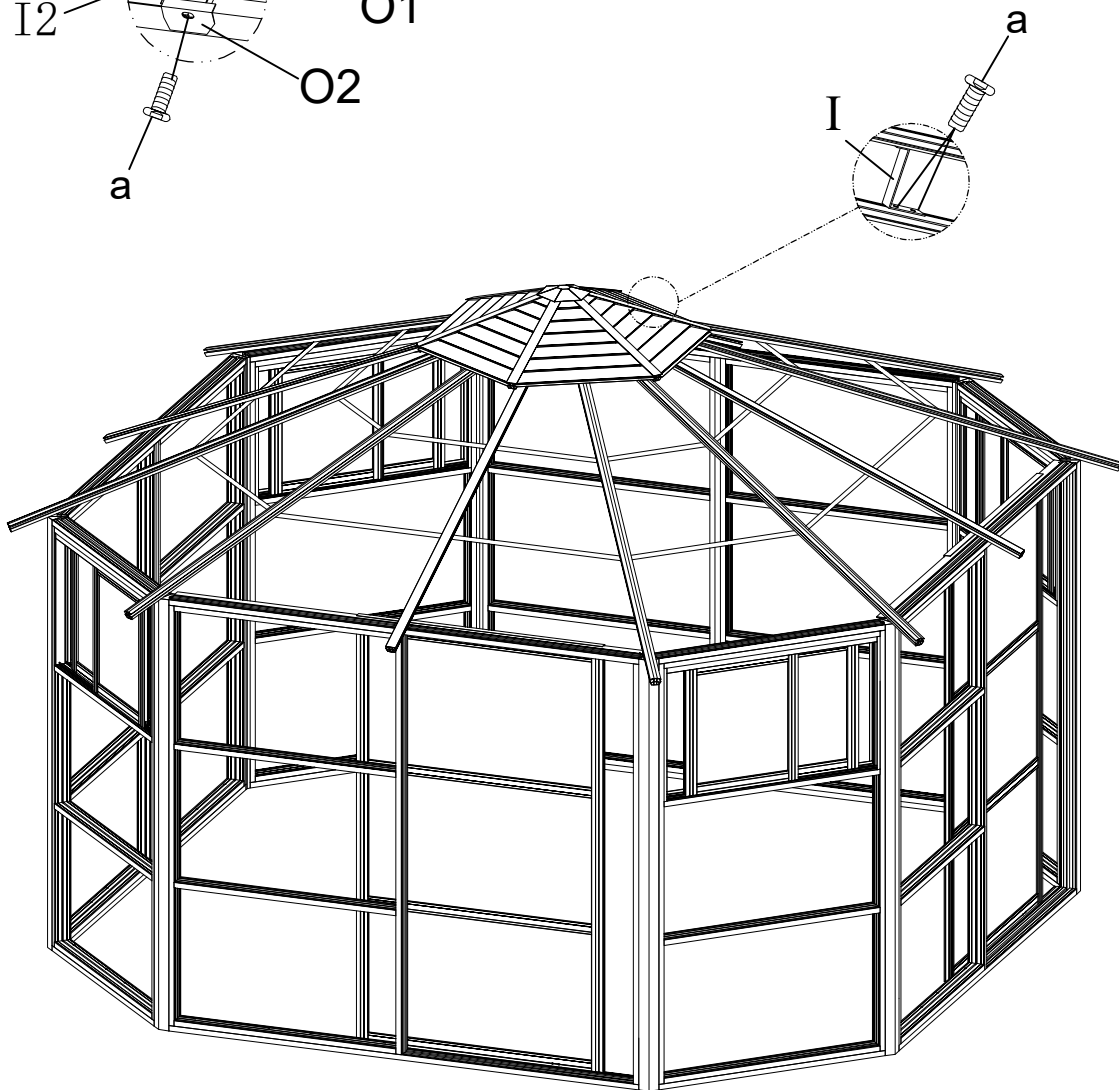
8



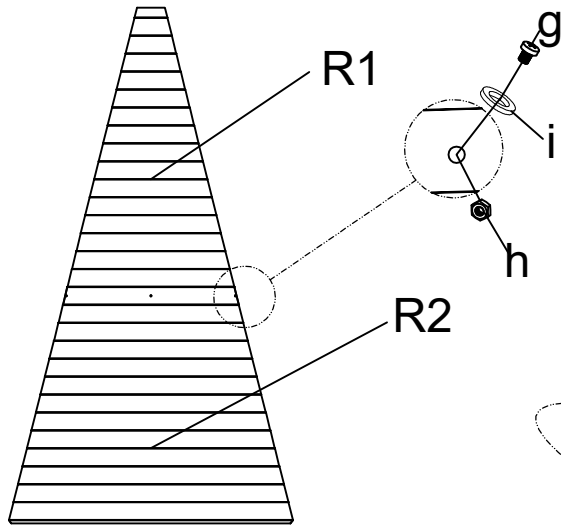
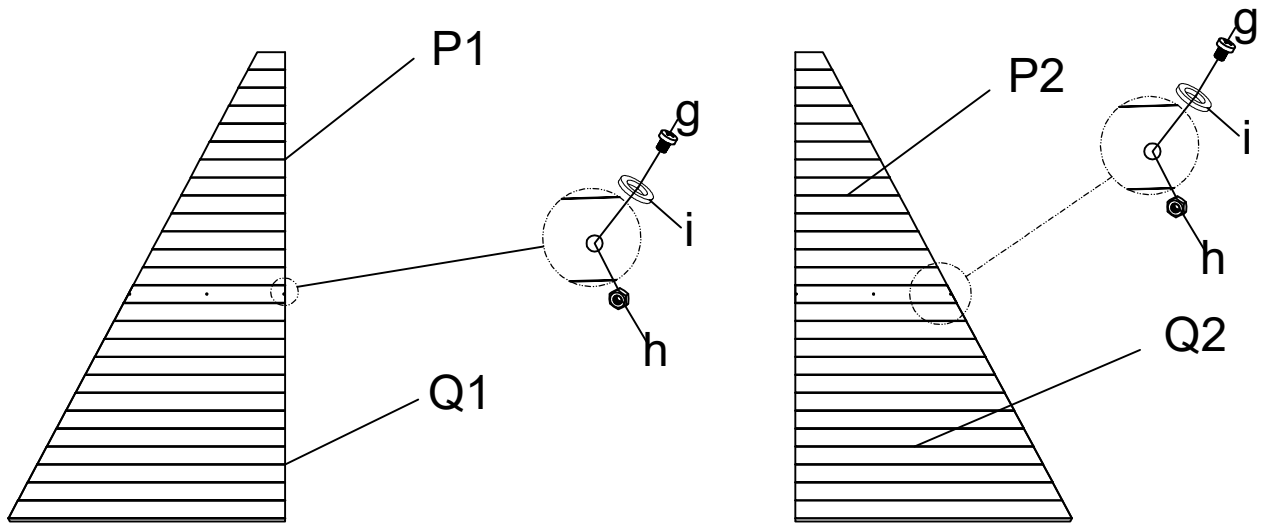
9



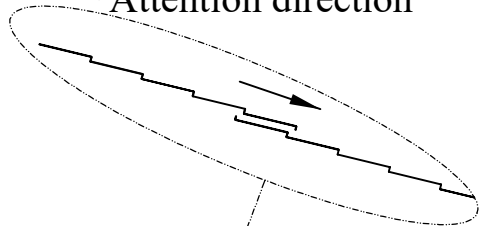
10



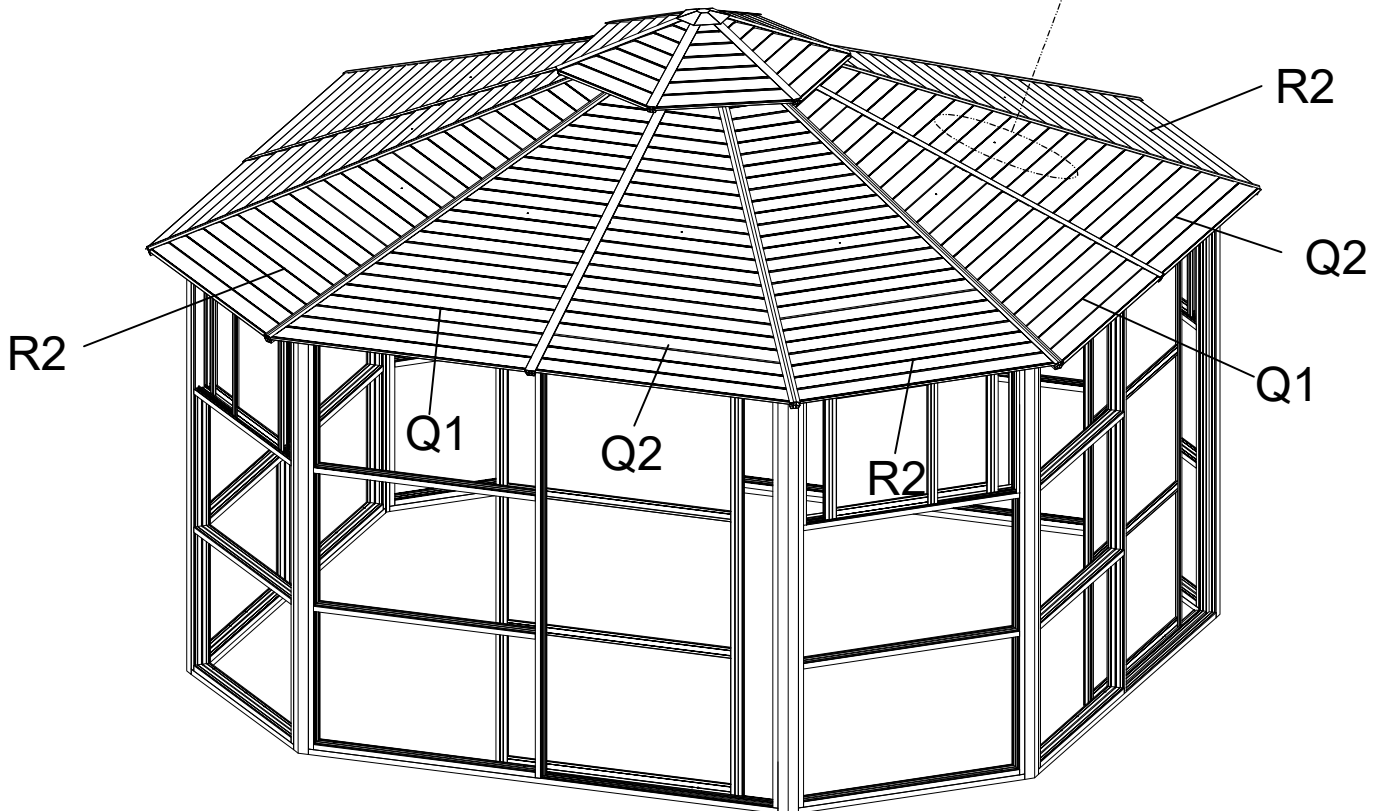
11

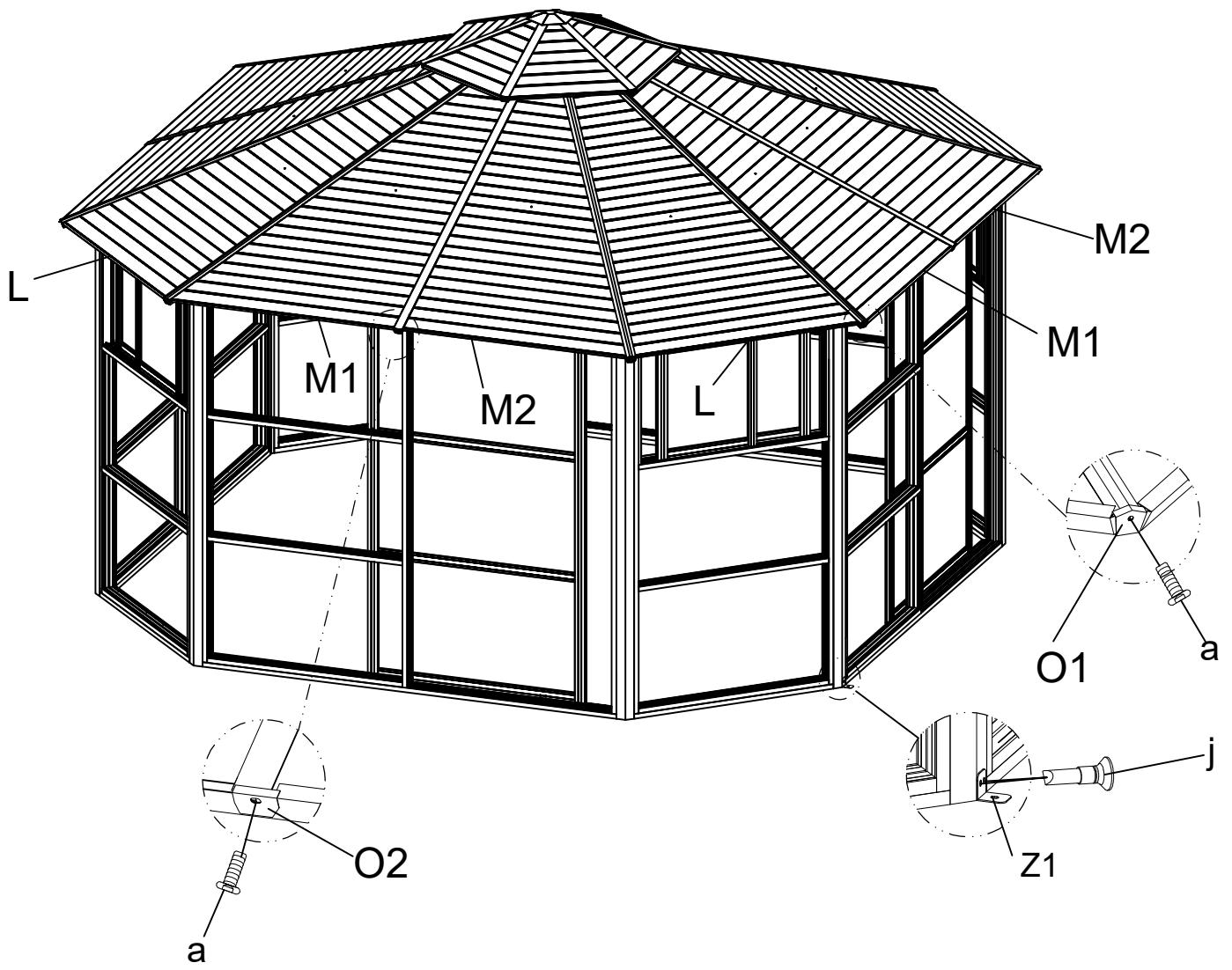


*Attention direction



12





Contact information

Austria



Belgium



Croatia



Denmark



Estonia



Finland



France



Germany



Ireland



Italy



Latvia



Lithuania



Nederland



Norway



Poland



Portugal



Spain



Sweden



Switzerland



UK

