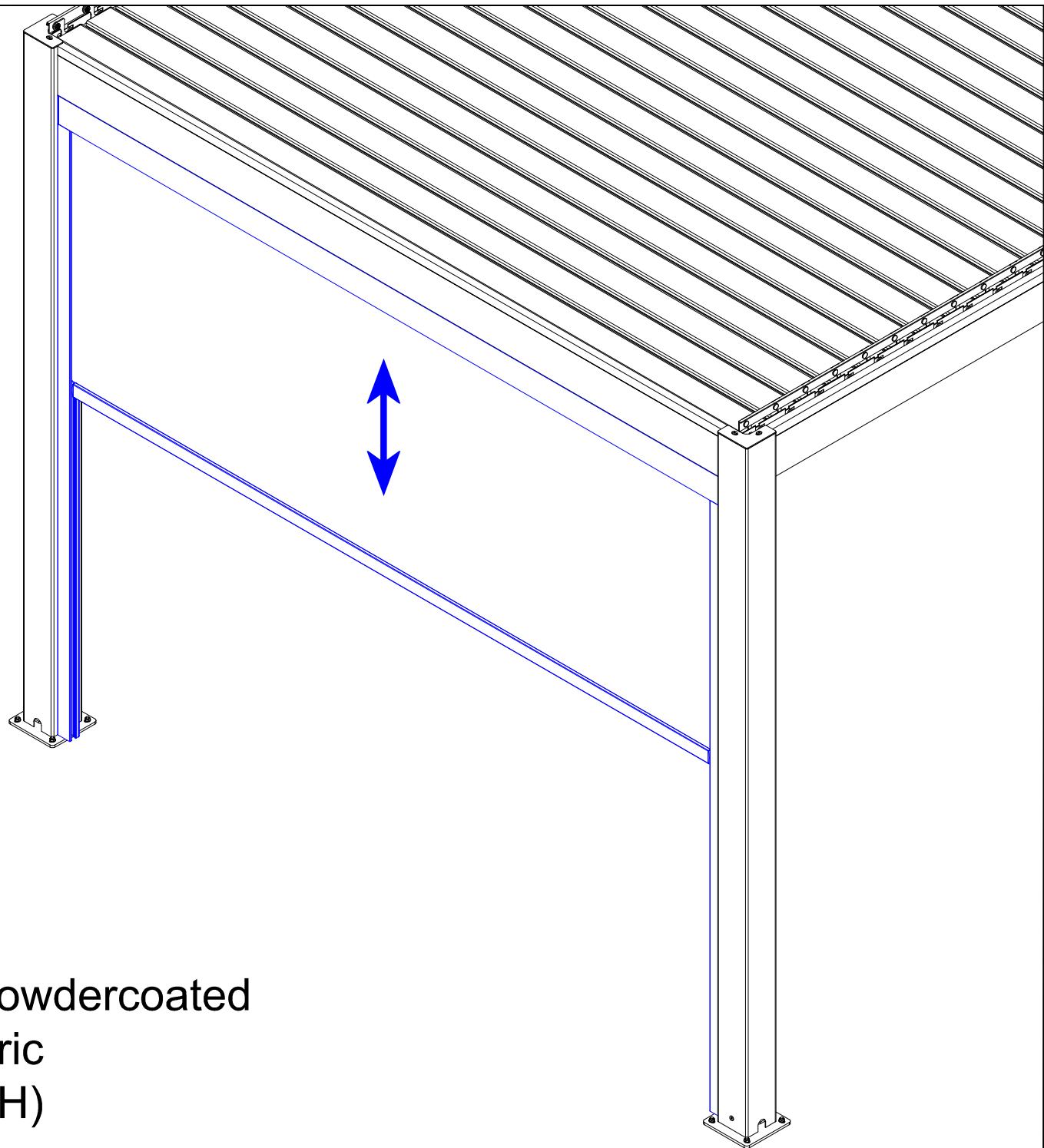


CosyLifeStyle[®]

Manual
for
Screen/Sidewall 3m
for Pergola Gazebo San Remo

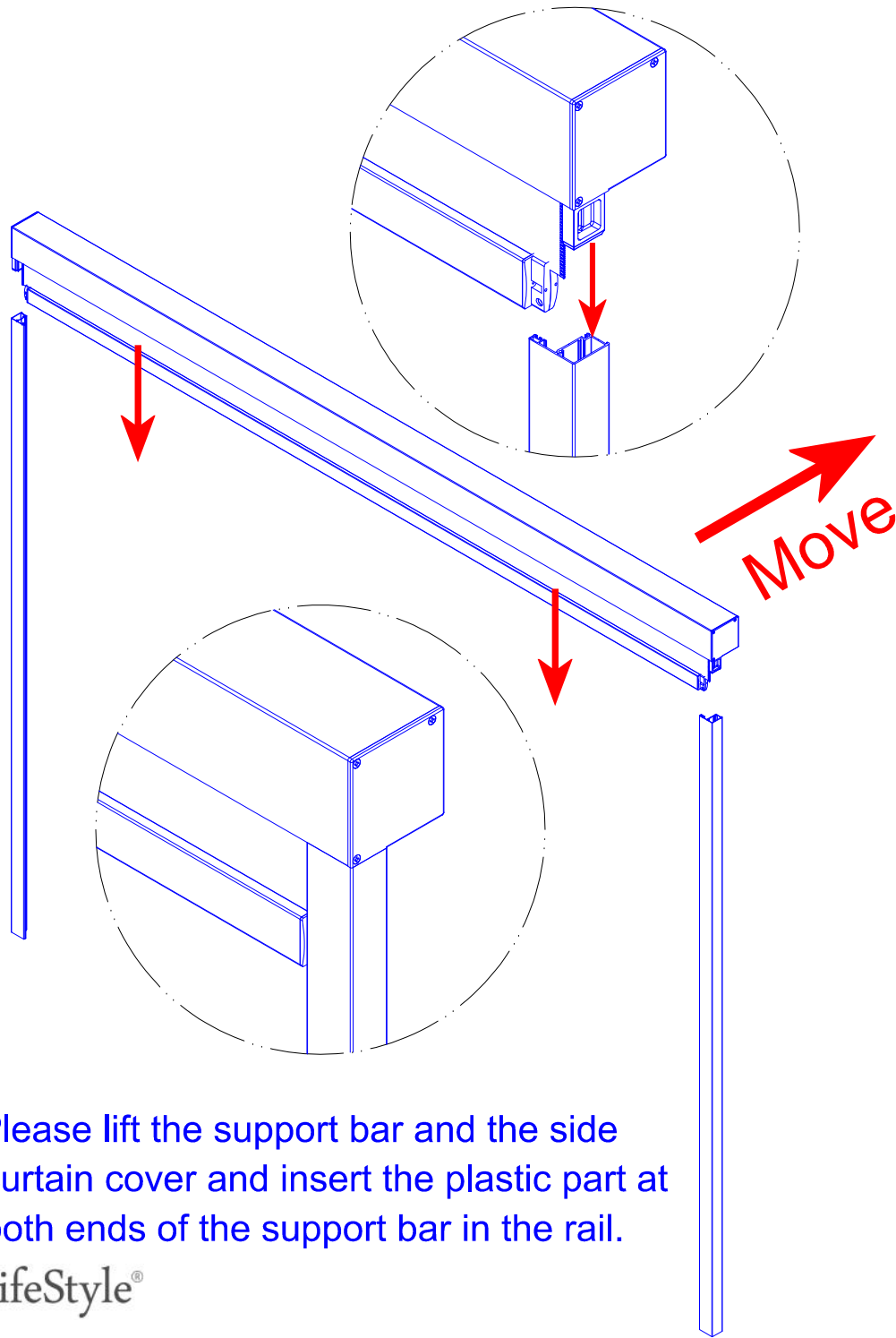
CosyLifeStyle®



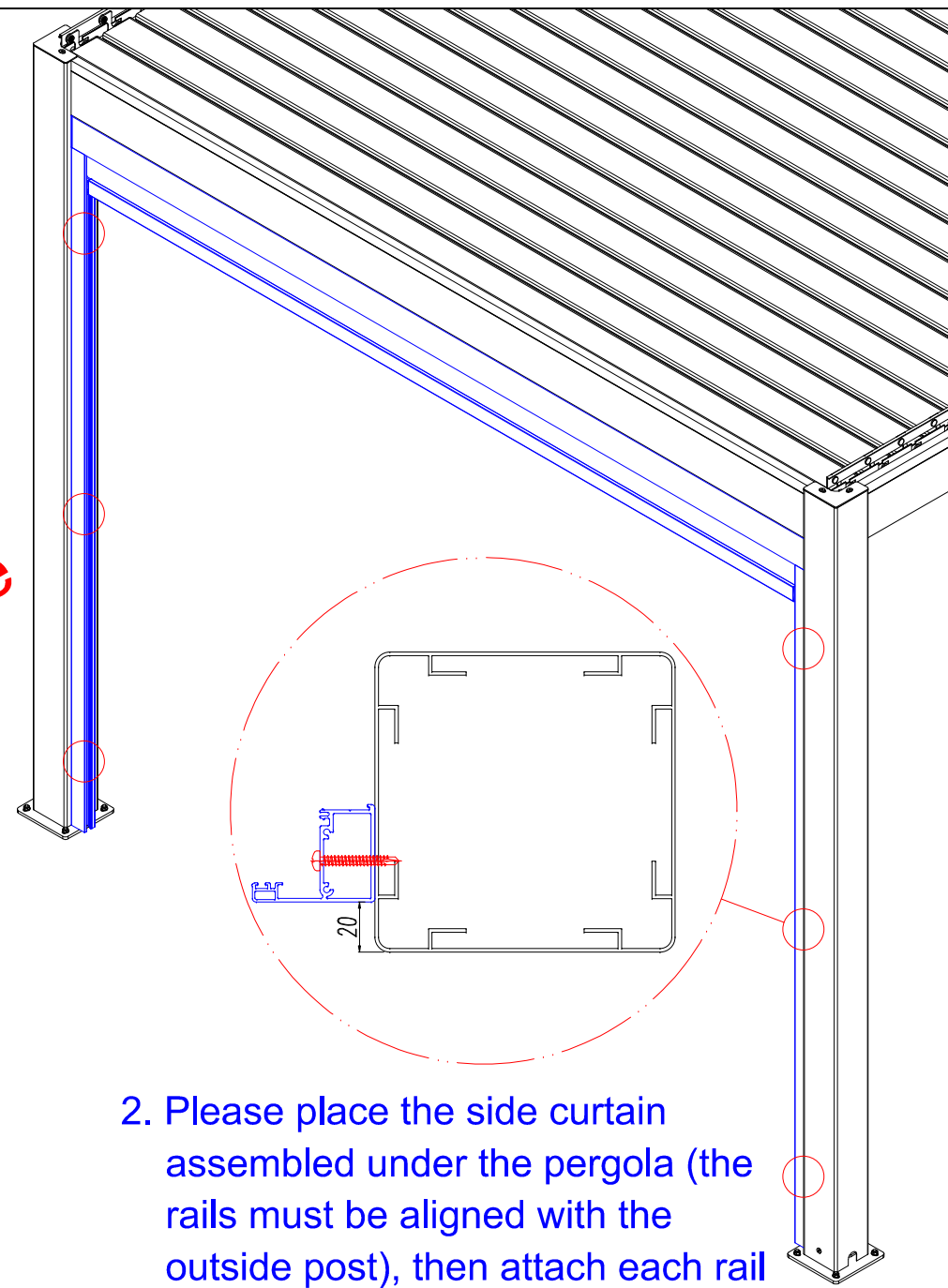
Manual Side Screen

Colour : grey aluminum powdercoated
+ Black*Grey fabric

Dim.(cm) : 266(W) x 222(H)

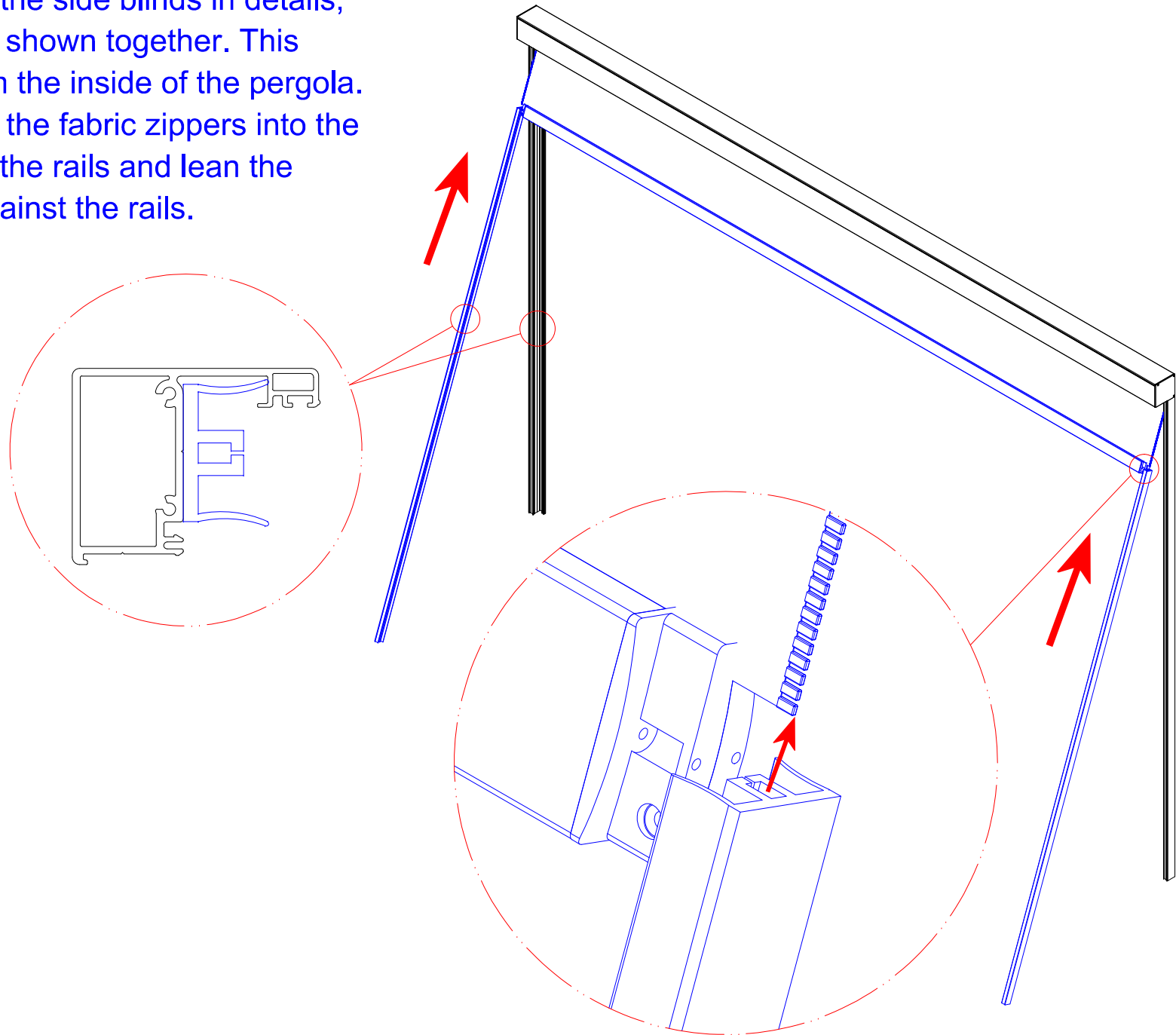


1. Please lift the support bar and the side curtain cover and insert the plastic part at both ends of the support bar in the rail.

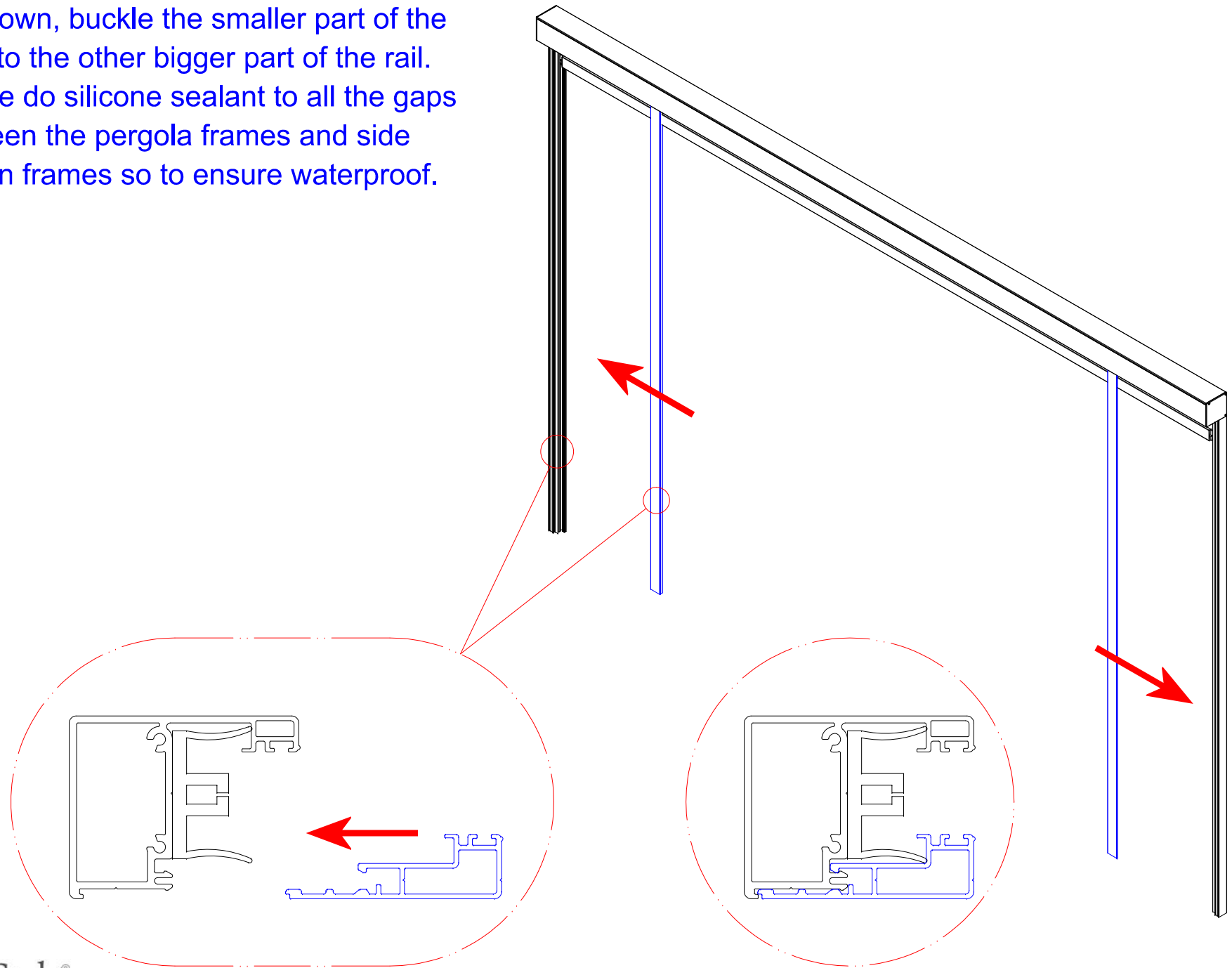


2. Please place the side curtain assembled under the pergola (the rails must be aligned with the outside post), then attach each rail with 3 screws to complete the installation.

3. In order to show the side blinds in details, pergola won't be shown together. This sight view is from the inside of the pergola.
4. As shown, insert the fabric zippers into the plastic runner of the rails and lean the plastic runner against the rails.



5. As shown, buckle the smaller part of the rail into the other bigger part of the rail.
6. Please do silicone sealant to all the gaps between the pergola frames and side screen frames so to ensure waterproof.



DANCOVER[®]



Contact information

Head office:

Dancover A/S

Lyngevej 16A, Nørre Herlev

3400 Hillerød, Denmark

For more information please visit:

www.dancovershop.com

National contact

Denmark:

denmark@dancover.com

Sweden:

[sverige@dancover.com](mailto: sverige@dancover.com)

Spain:

espana@dancover.com

Norway:

norge@dancover.com

UK:

uk@dancover.com

Finland:

suomi@dancover.com

Italy:

italia@dancover.com

Nederland:

nederland@dancover.com

Germany:

germany@dancover.com

Poland:

polska@dancover.com

Switzerland:

schweiz@dancover.com

Ireland:

ireland@dancover.com

France:

france@dancover.com

Portugal:

portugal@dancover.com

Austria:

austria@dancover.com

Belgium:

belgique@dancover.com

Luxembourg:

luxembourg@dancover.com