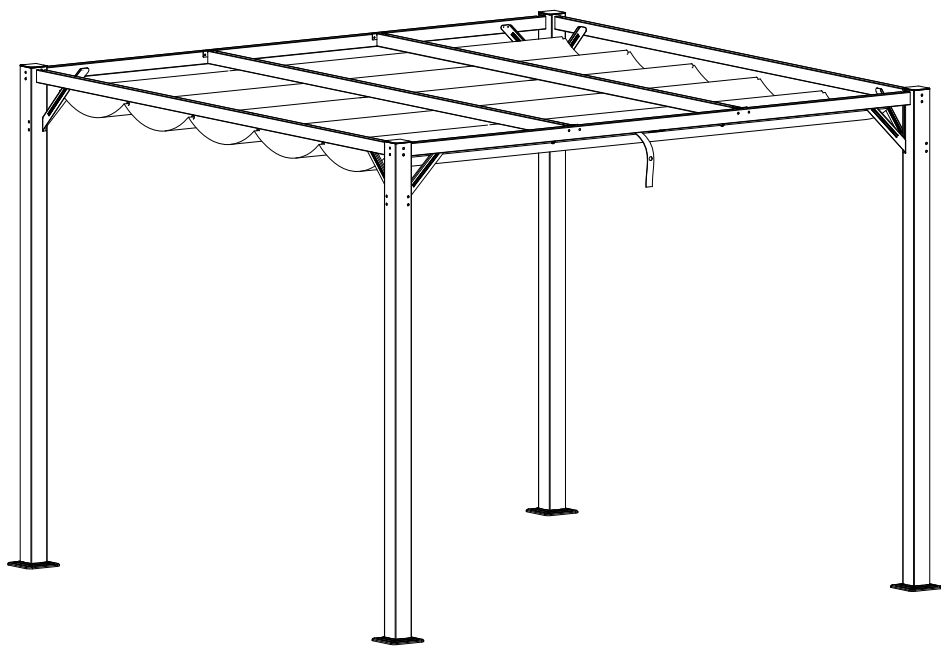
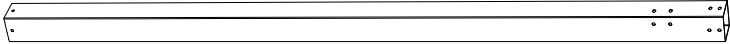





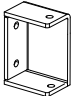



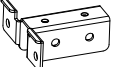





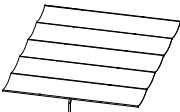




DANCOVER[®]

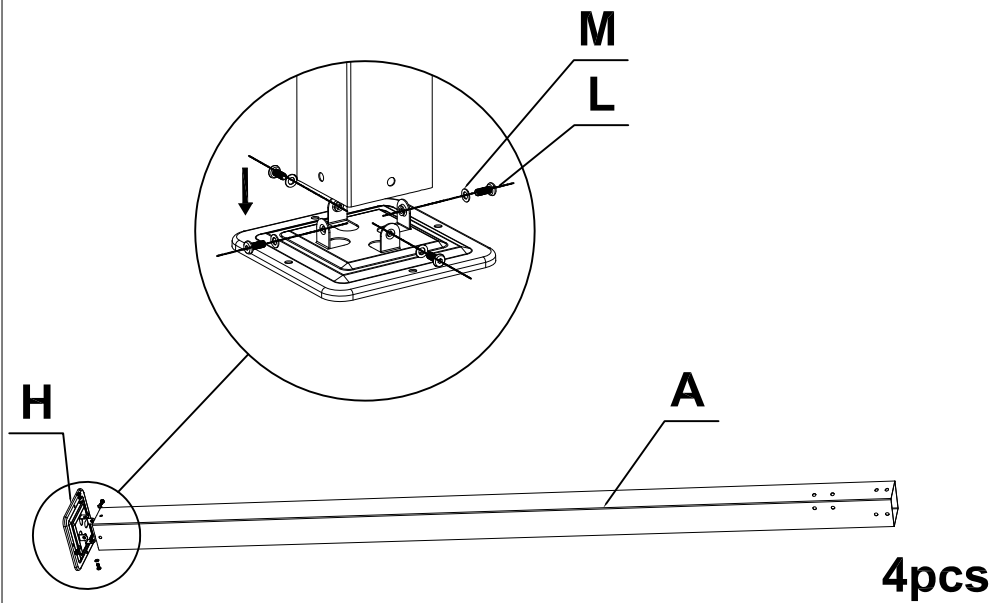


Manual
for
Pergola Gazebo Santa Cruz
3x3m

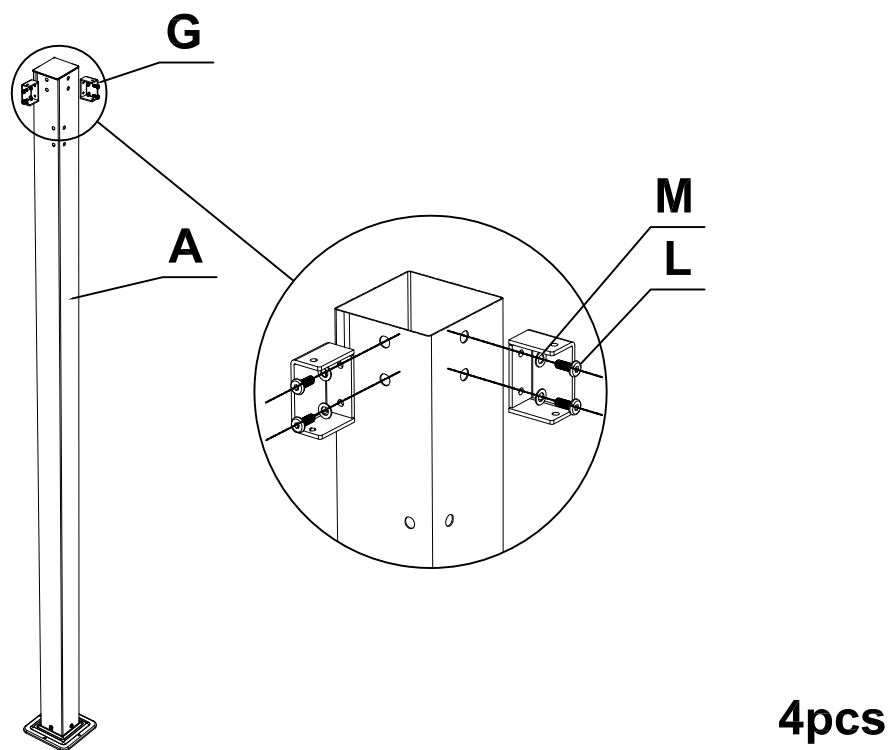


A		4		
B		1		
C		2		
D		1		
E		2		
F		6		
				
Gx8	Hx4	Ix4	Jx4	Kx4
				
M6*15 L x96	Ø6.5*Ø12*1 M x108	N x10	M6*65 O x12	Px4
				
Q X1	Sx16	Ux1		

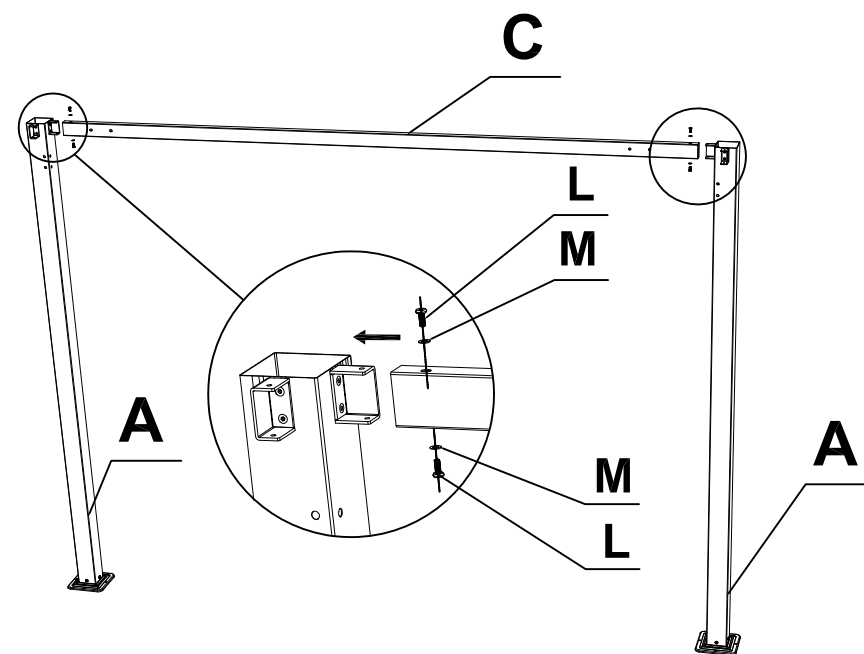
1



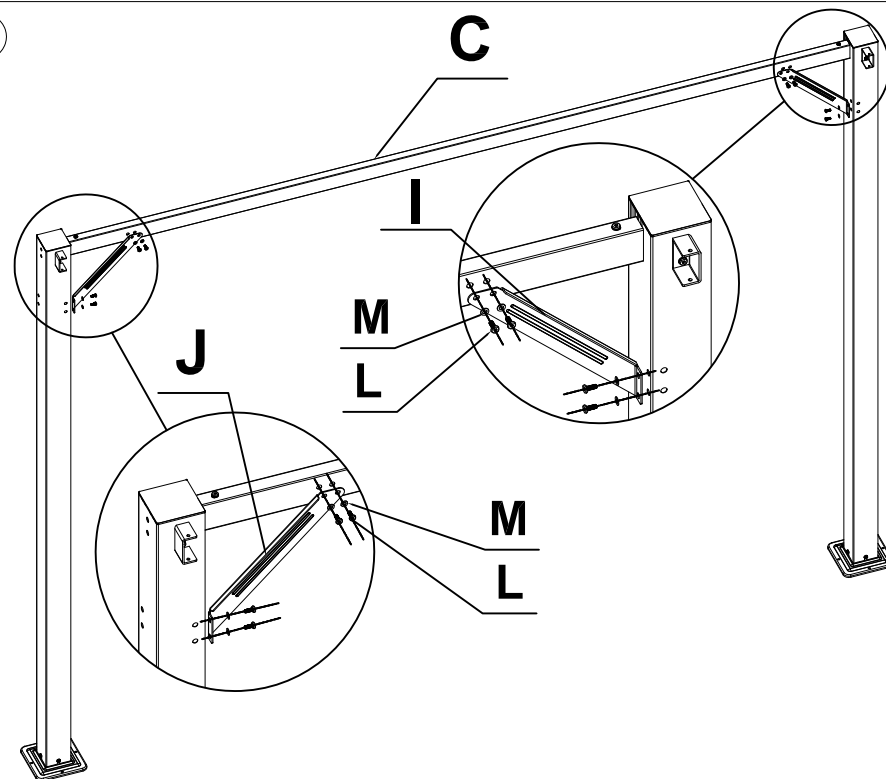
2



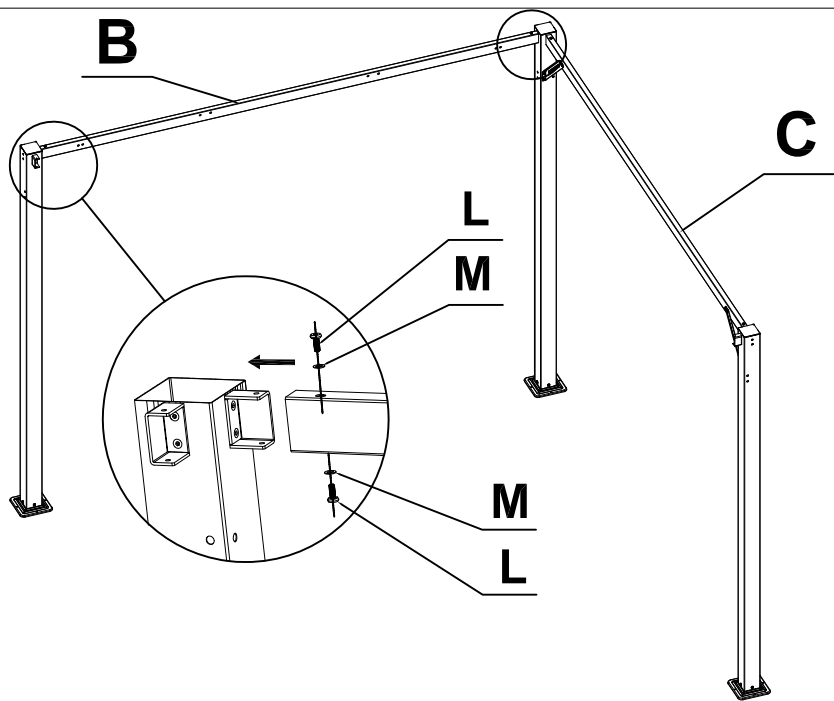
3



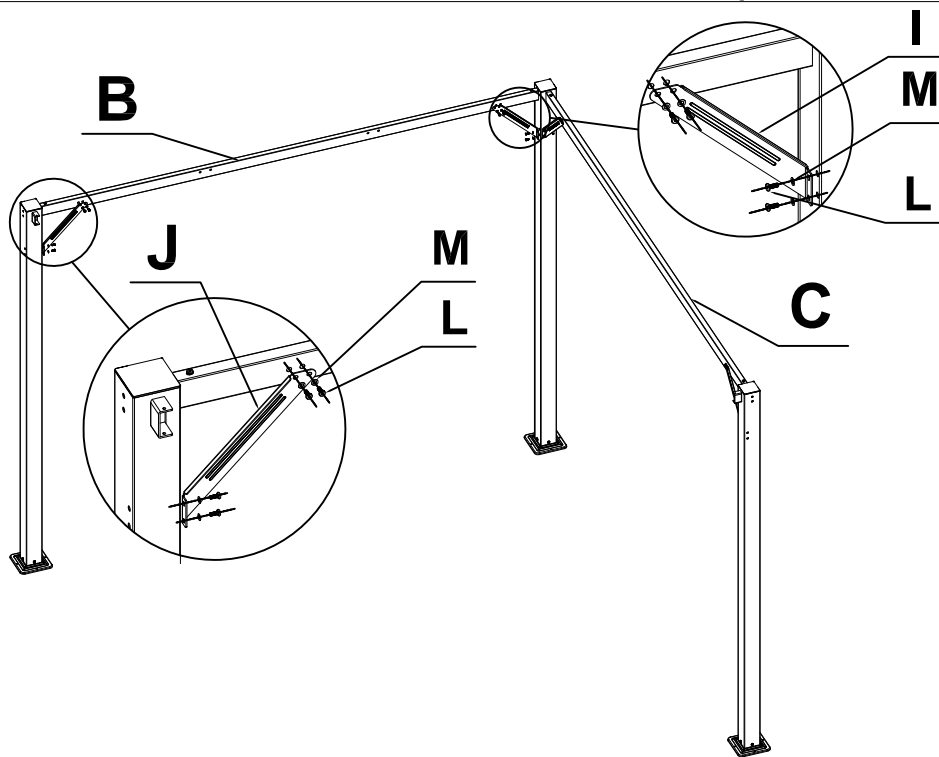
4



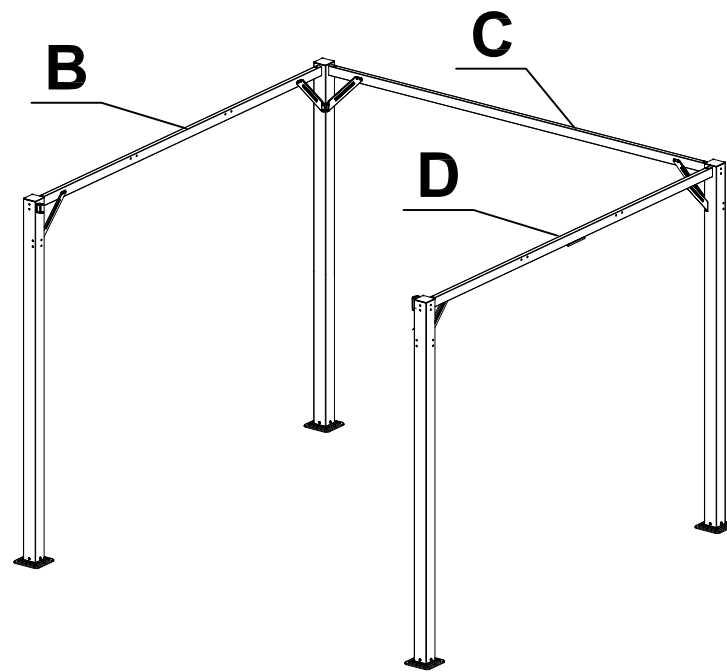
5



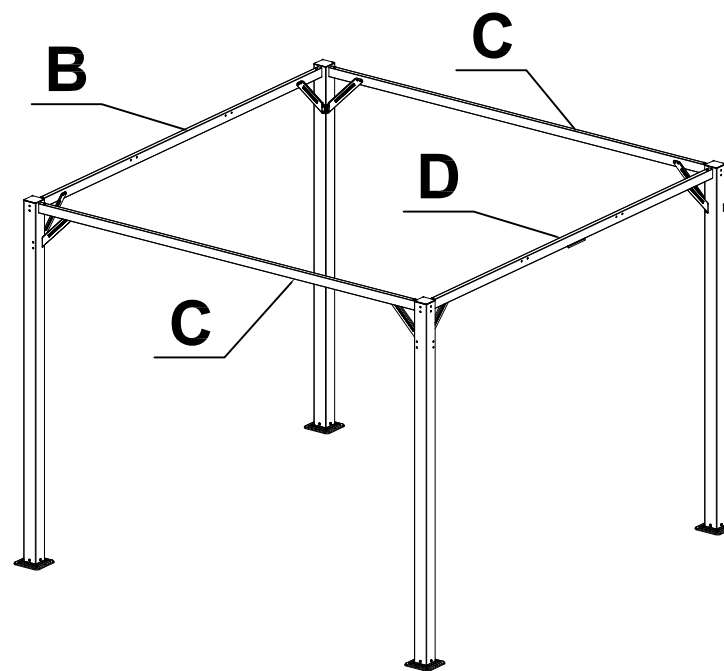
6



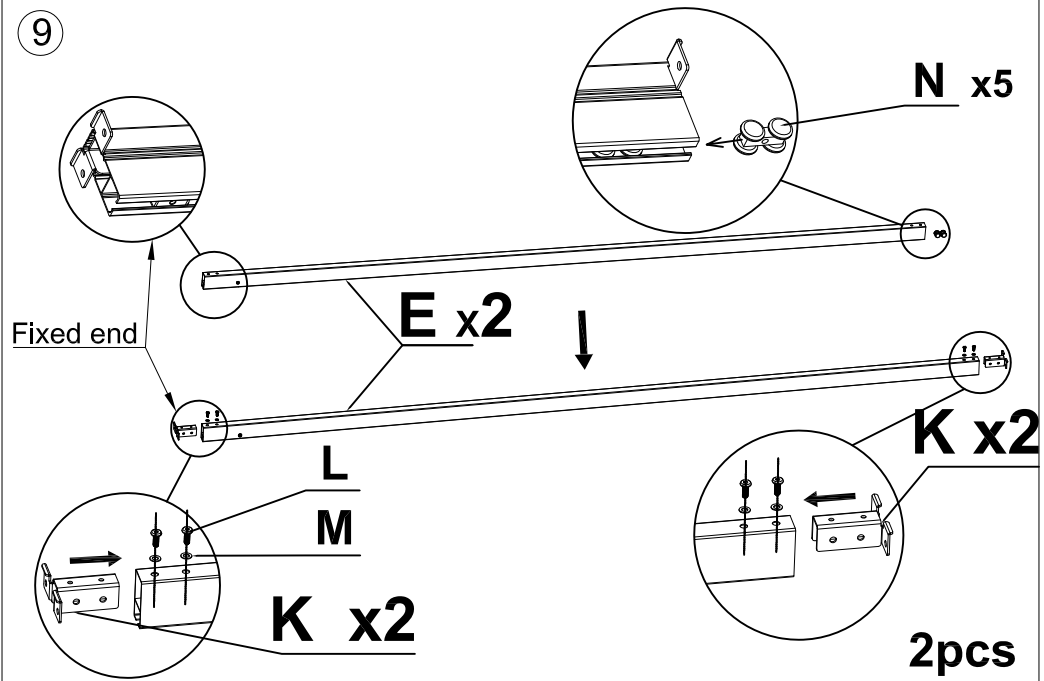
7



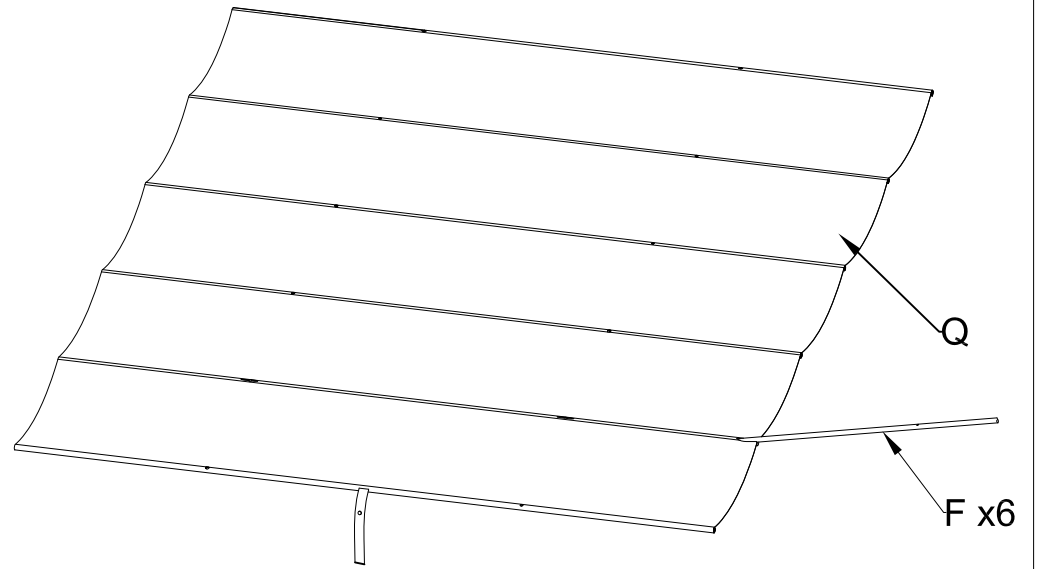
8



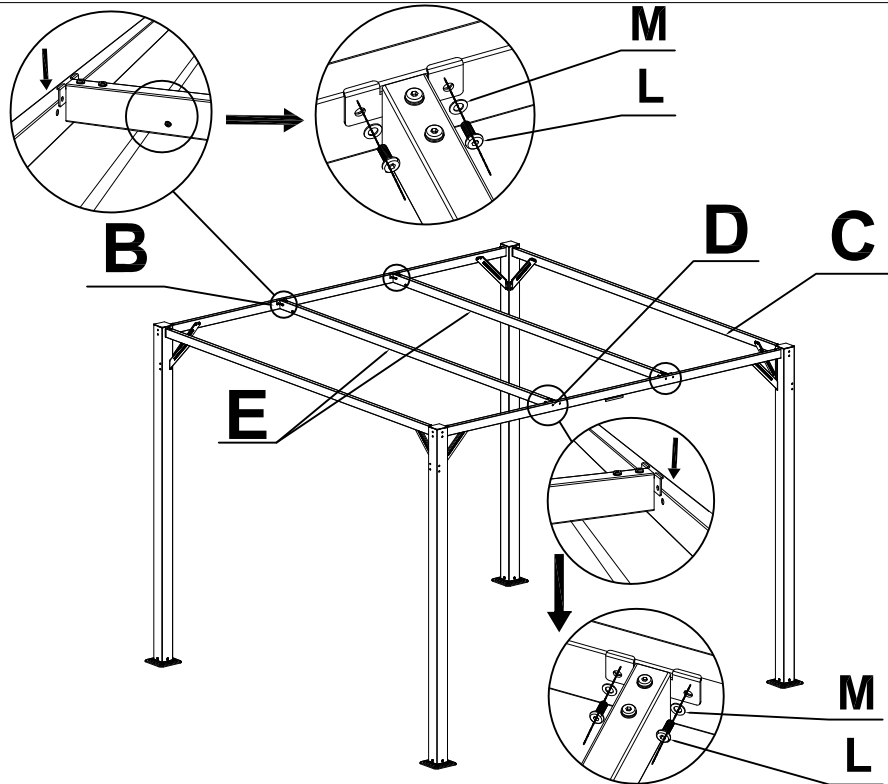
9



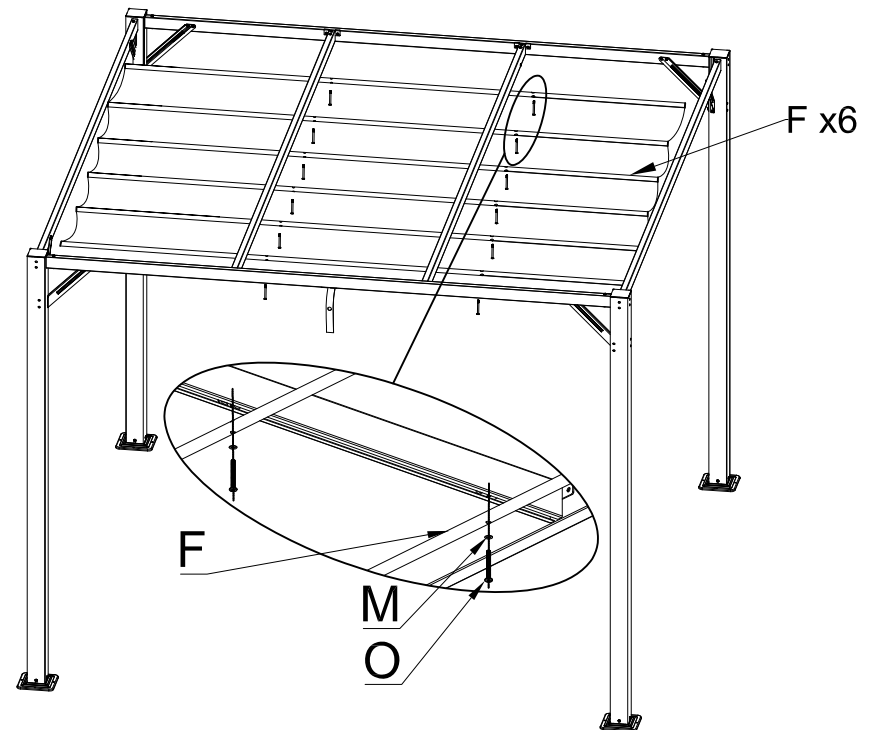
9



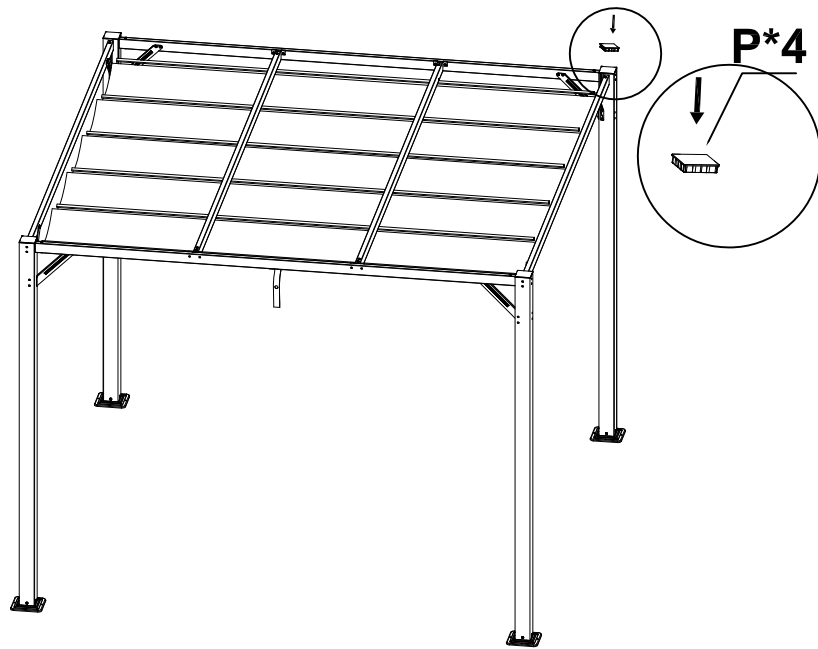
10



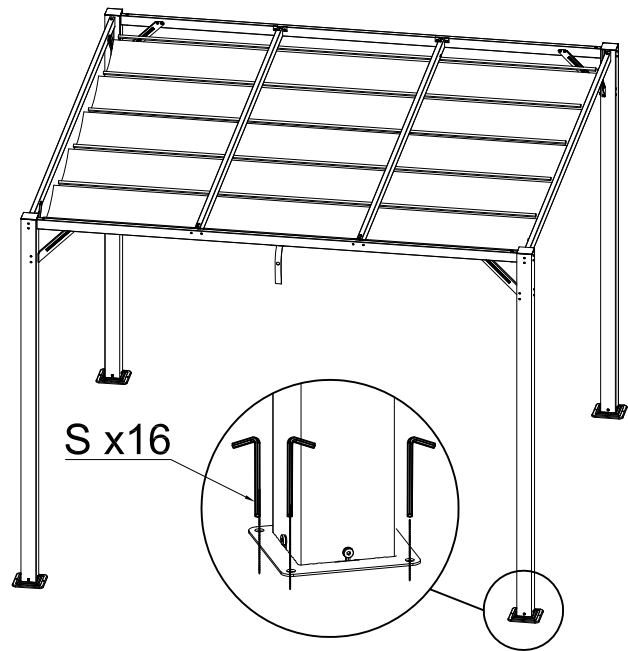
10



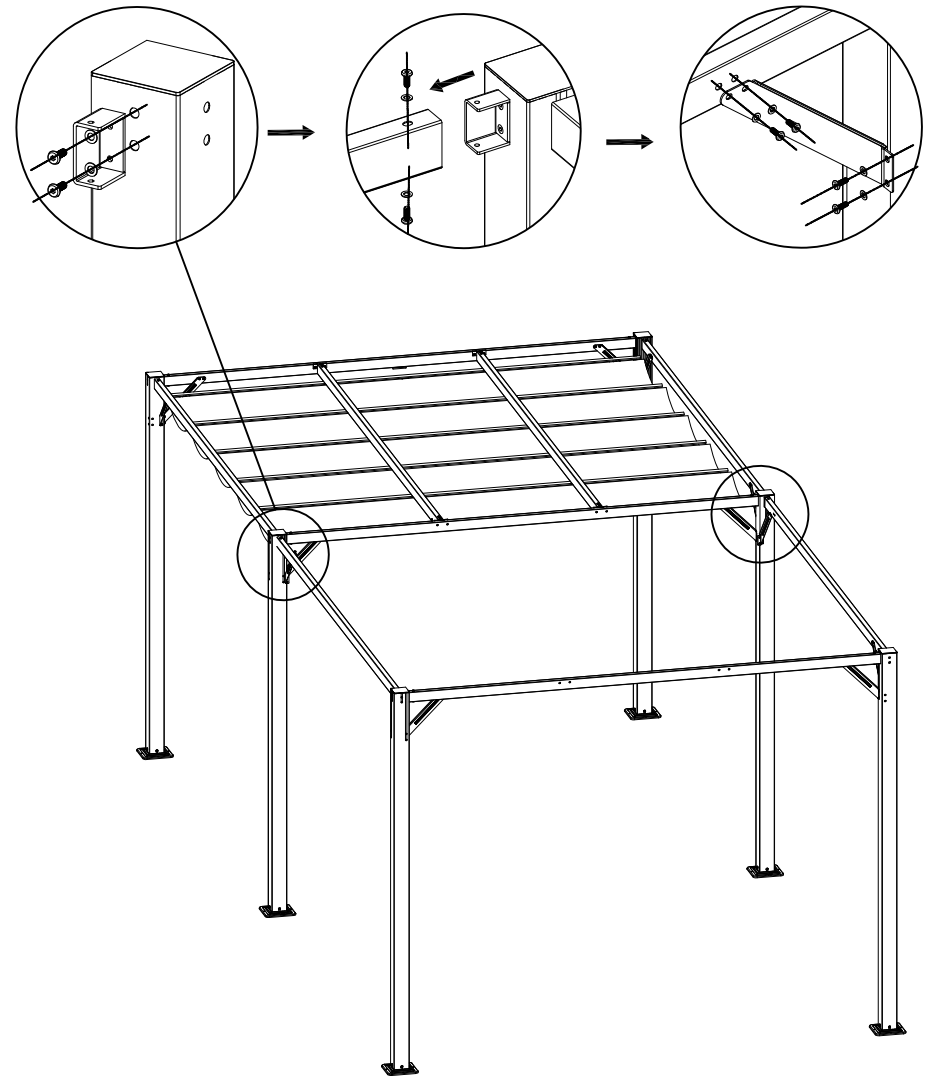
11



12



13



DANCOVER[®]

.com

Contact information

Austria



Belgium



Croatia



Denmark



Estonia



Finland



France



Germany



Ireland



Italy



Latvia



Lithuania



Nederland



Norway



Poland



Portugal



Spain



Sweden



Switzerland



UK



For more information please visit: www.dancovershop.com