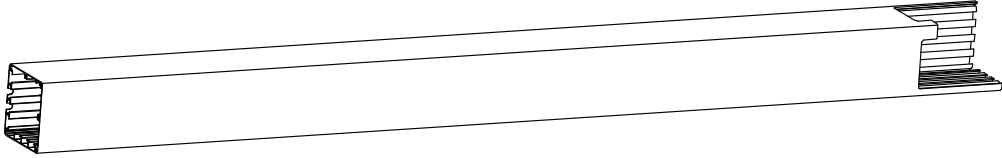
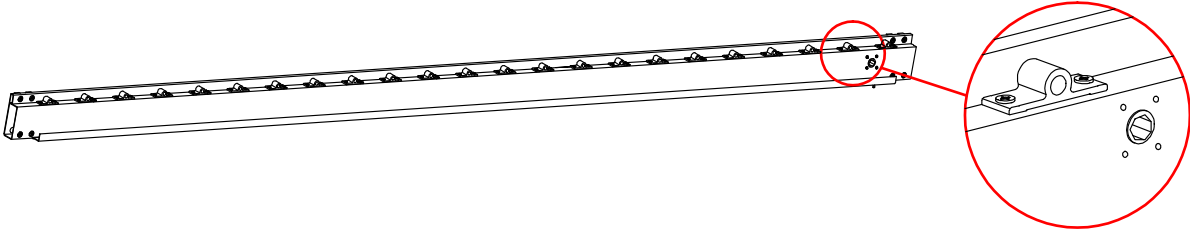
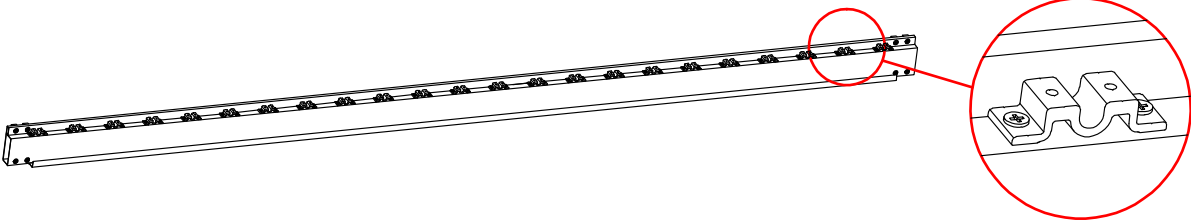
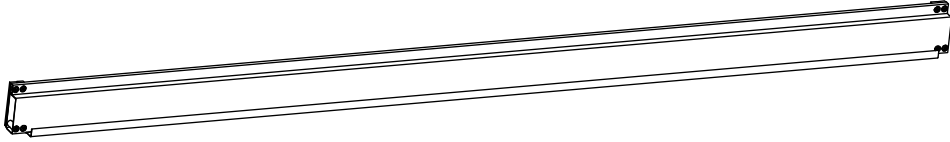
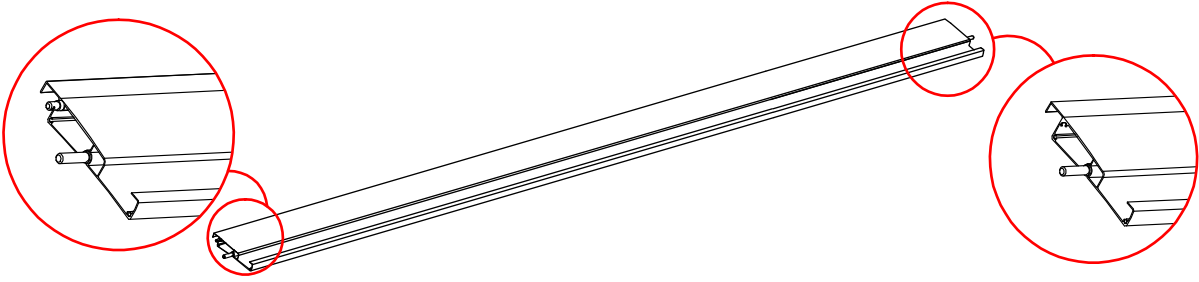
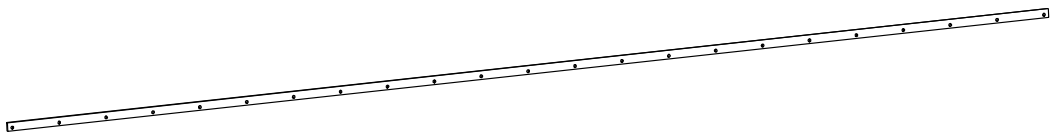



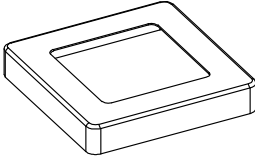
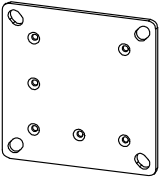
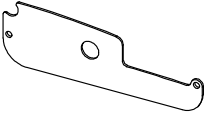

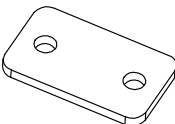
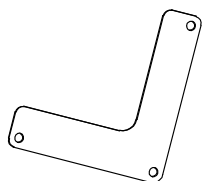
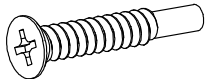
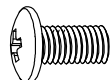

DANCOVER[®]


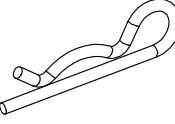

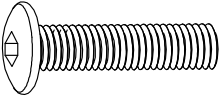
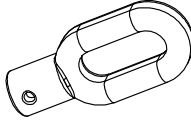
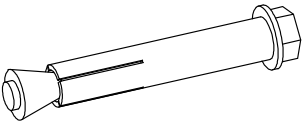

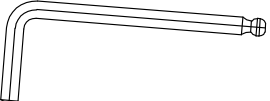
.com

Manual
for
Pergola Gazebo
3x3,6m

| | REF | QTY | REF | QTY | REF | QTY |
|---------------|----------------|-------|------|-------|-----|-------|
| Carton 1/4 | (A) | 4PCS | (I) | 4PCS | (J) | 4PCS |
| | (K) | 45PCS | (L) | 1PC | (M) | 23PCS |
| | (N) | 4PCS | (O) | 24PCS | (P) | 48PCS |
| | (Q) | 96PCS | (R) | 12PCS | (S) | 25PCS |
| | (T) | 1PC | (U) | 1PC | (V) | 1PC |
| | (W) | 16PCS | (X) | 1PC | (Y) | 2PCS |
| | User Manual | 1SET | | | | |
| Carton 2/4 | (B1) | 1PC | (B2) | 1PC | (C) | 2PCS |
| | (G) | 1PC | (H) | 1PC | | |
| Carton 3/4 | (D) | 12PCS | | | | |
| Carton 4/4 | (D) | 11PCS | | | | |

| REF | PICTURE | QTY |
|-----|--|-------|
| A |  | 4PCS |
| B1 |  | 1PC |
| B2 |  | 1PC |
| C |  | 2PCS |
| D |  | 23PCS |
| G |  | 1PC |
| H |  | 1PC |

| REF | PICTURE | QTY |
|-----|---|-------|
| I |  | 4PCS |
| J |  | 4PCS |
| K |  | 45PCS |
| L |  | 1PC |
| M |  | 23PCS |
| N |  | 4PCS |
| O |  | 24PCS |
| P |  M5x10mm | 48PCS |
| Q |  4.2x18mm | 96PCS |

| REF | PICTURE | QTY |
|-----|---|-------|
| R |  5.5x19mm | 12PCS |
| S |  | 25PCS |
| T |  | 1PC |
| U |  M6x45 | 1PC |
| V |  | 1PC |
| W |  | 16PCS |
| X |  | 1PC |
| Y |  | 2PCS |
| | | |

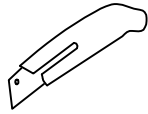
Warning

In snow season or in case of snow forecast open up your shutters in vertical position to avoid any damaging on your pergola.

What you need?



glove



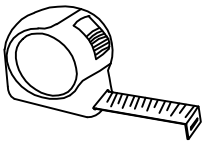
knife



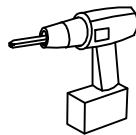
hammer



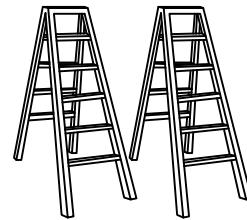
Safety hat



tapeline

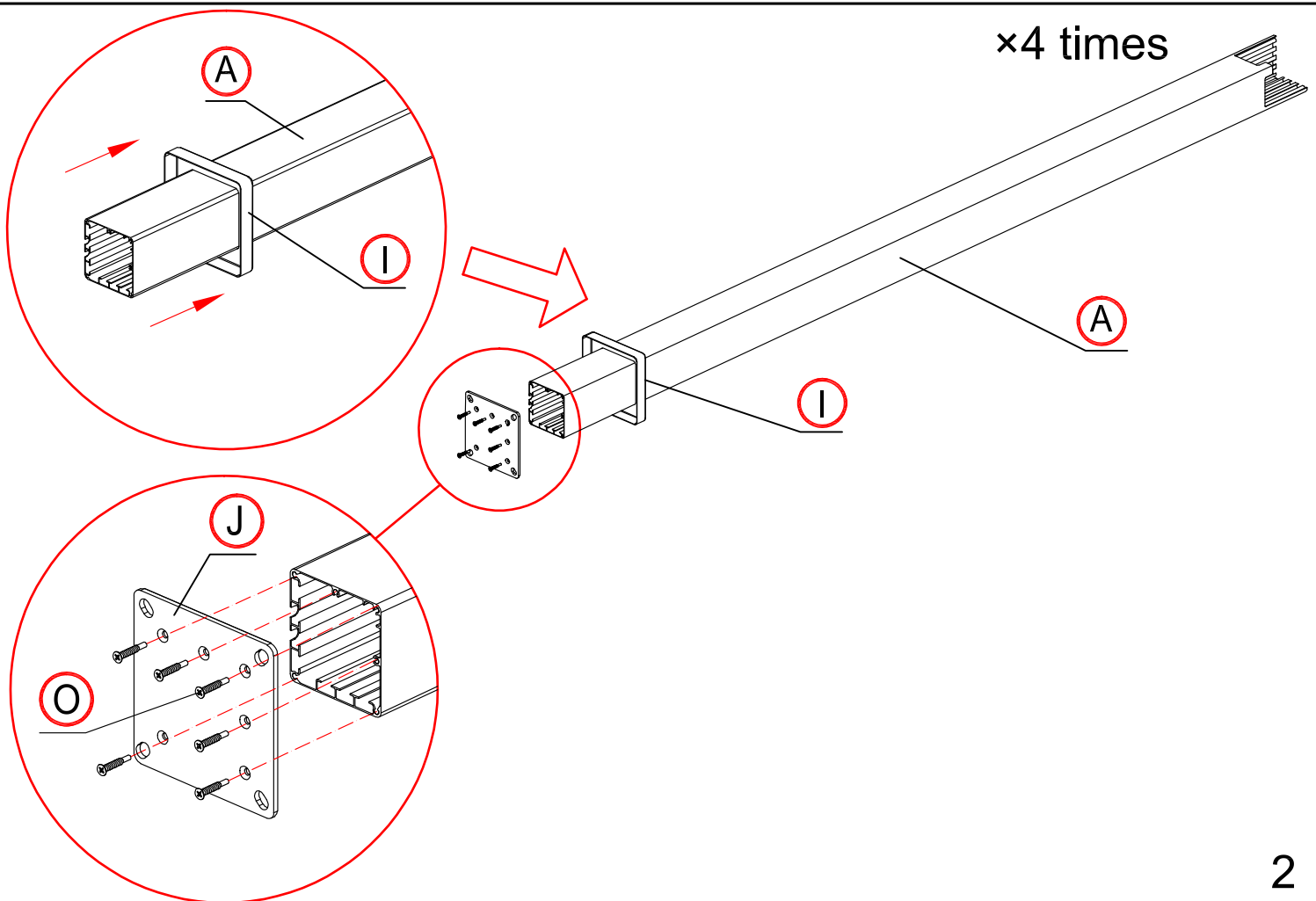


electric screw driver

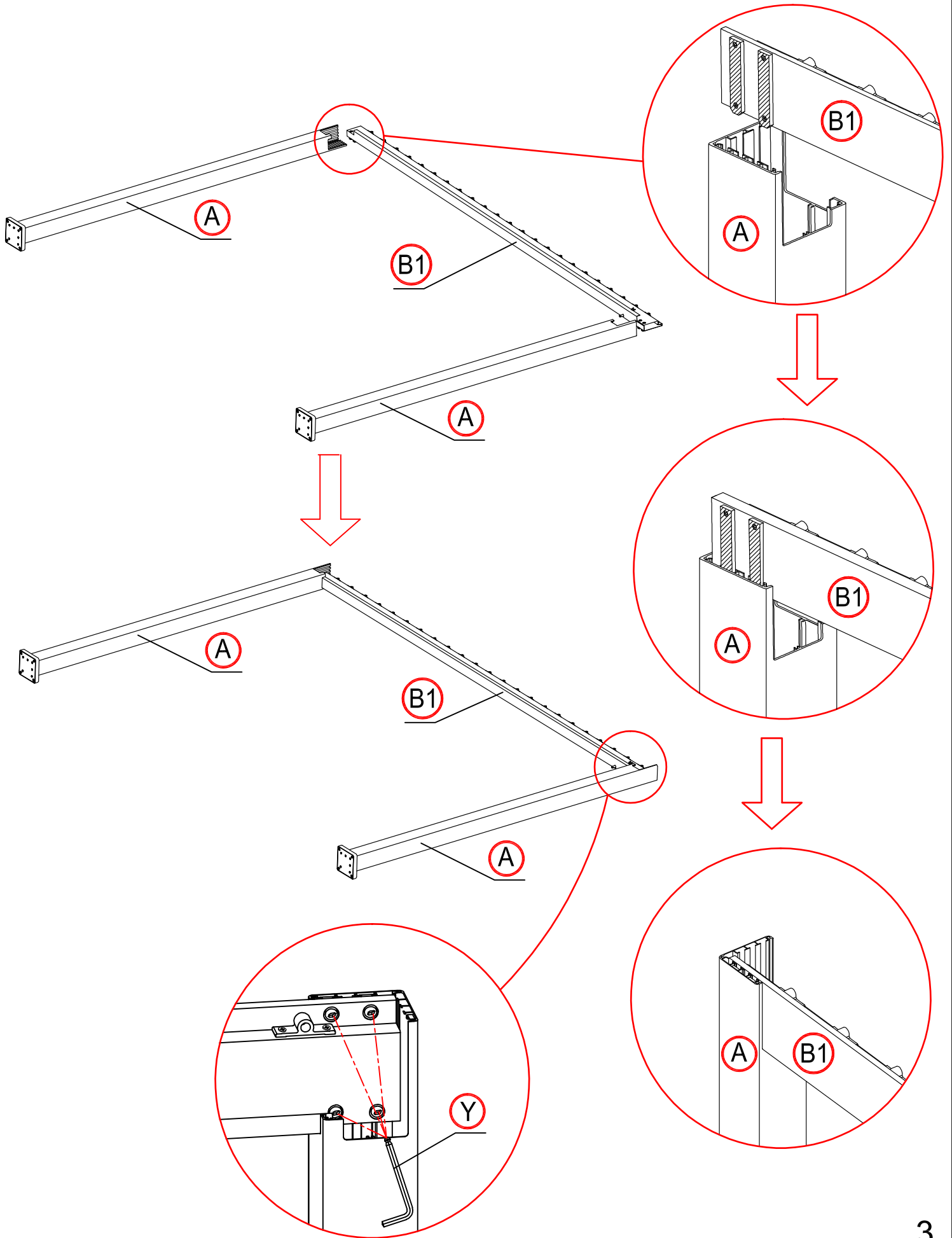


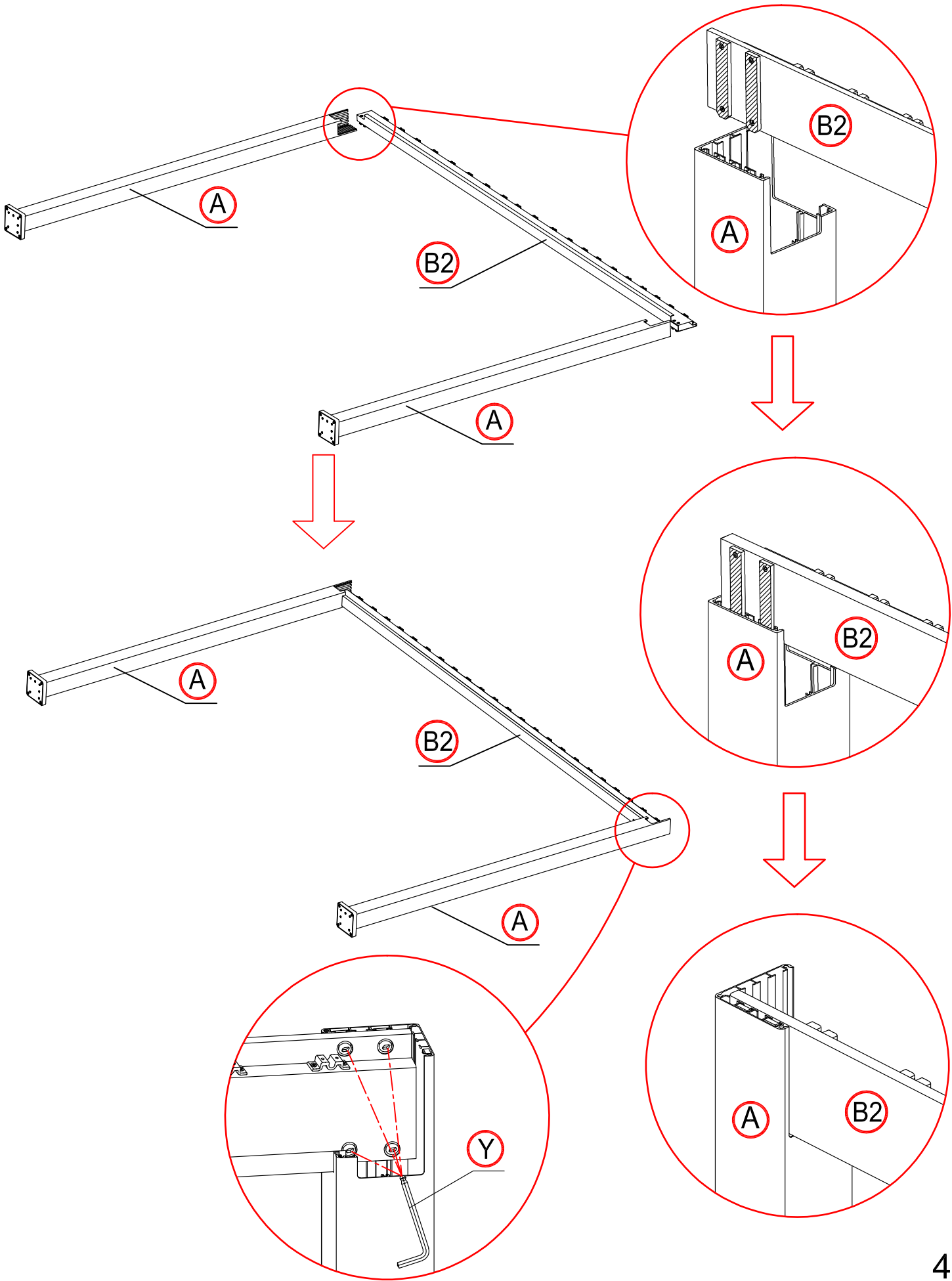
ladder

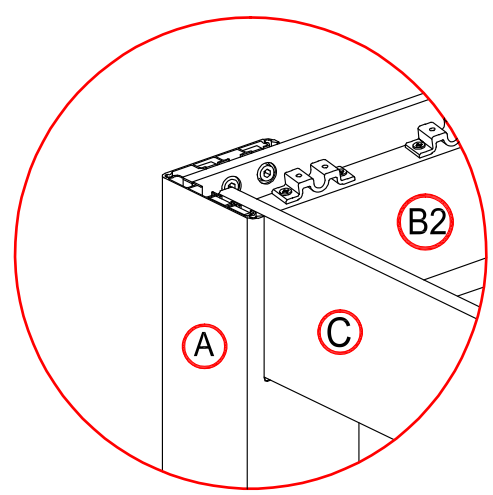
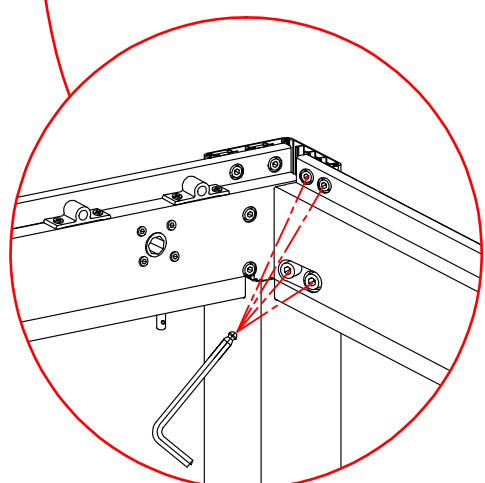
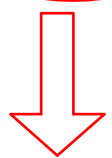
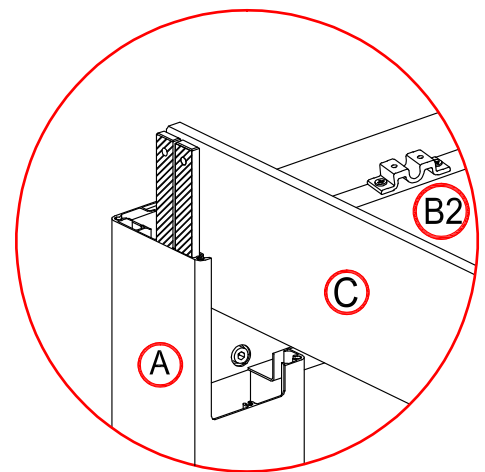
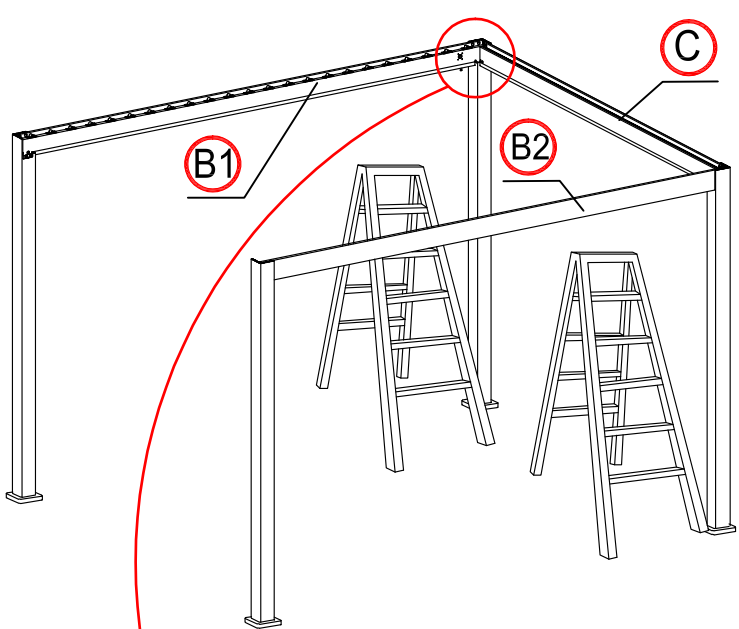
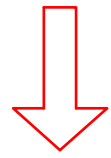
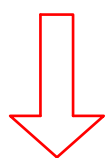
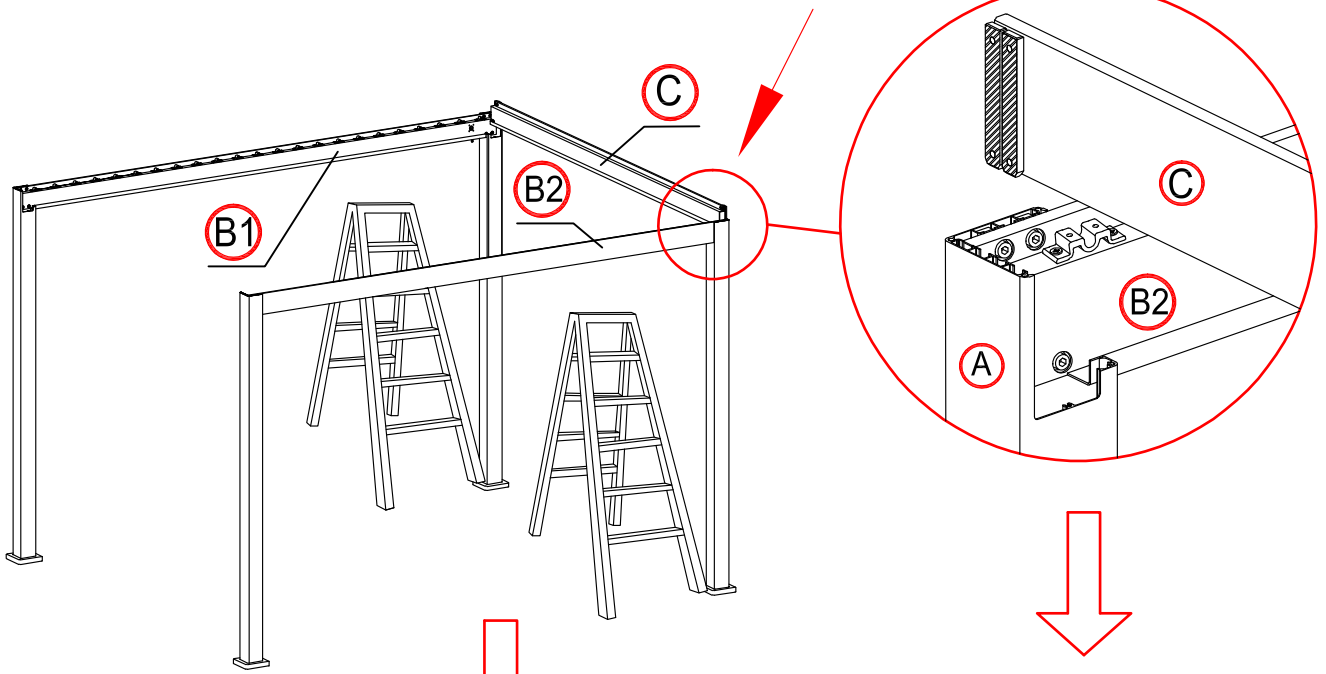
1

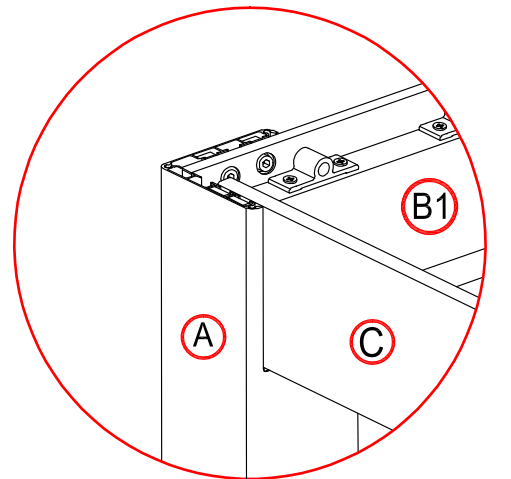
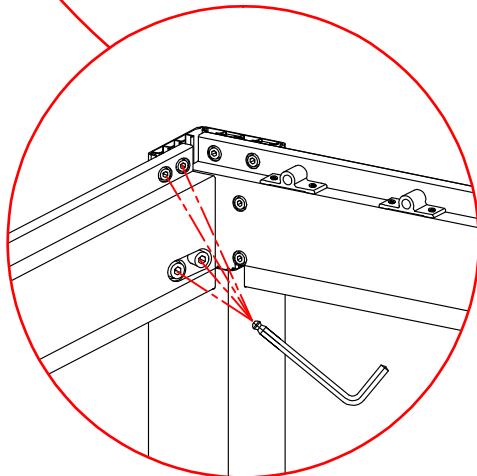
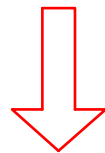
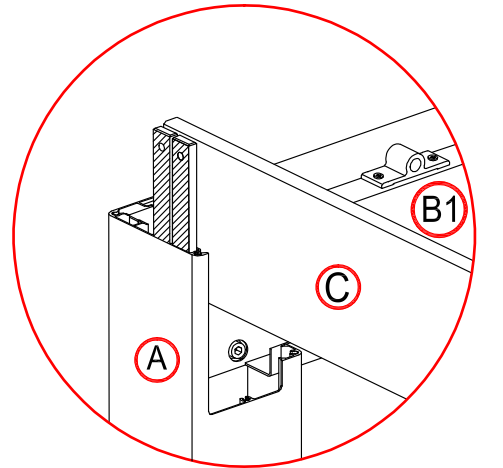
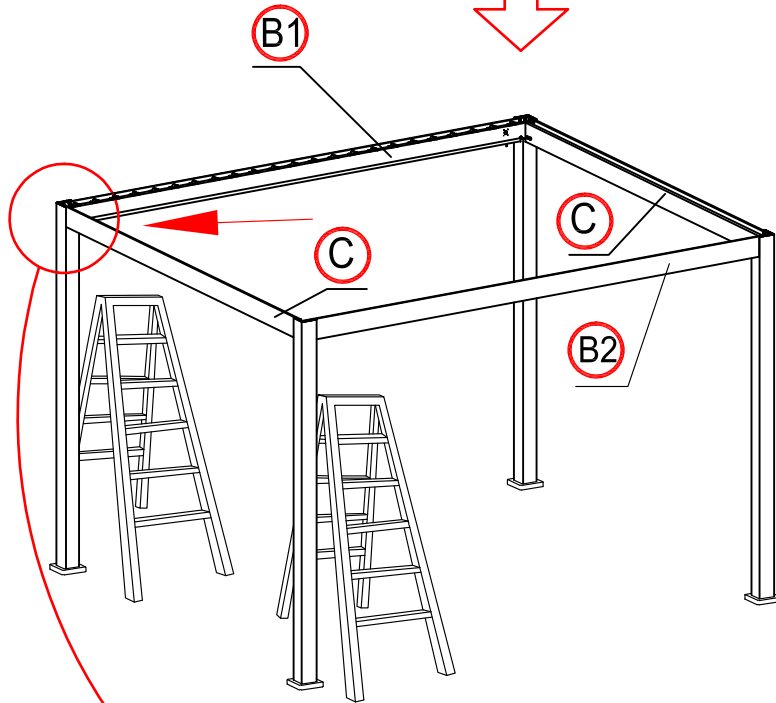
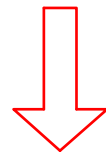
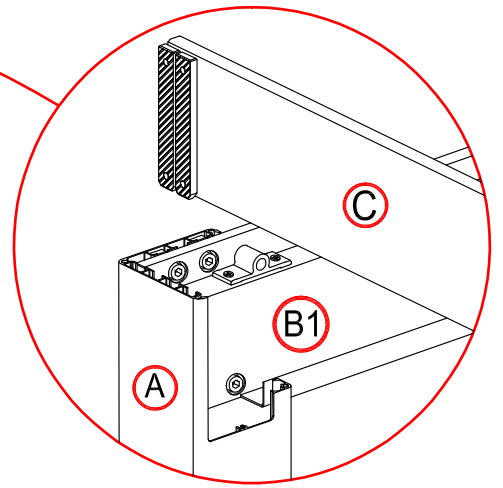
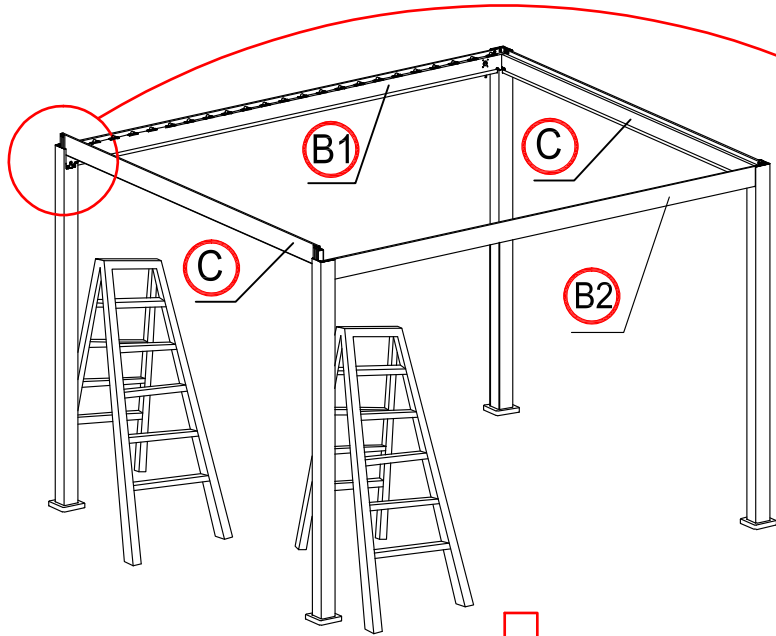


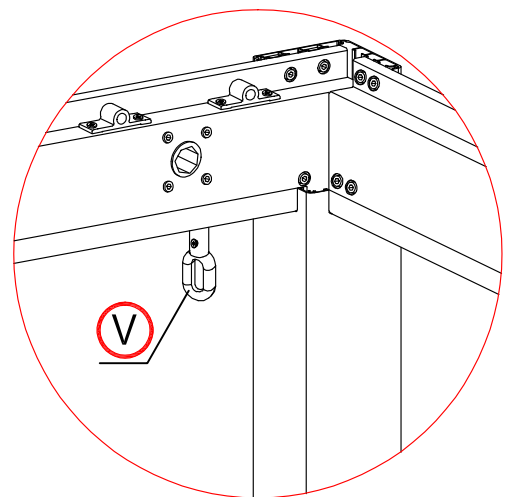
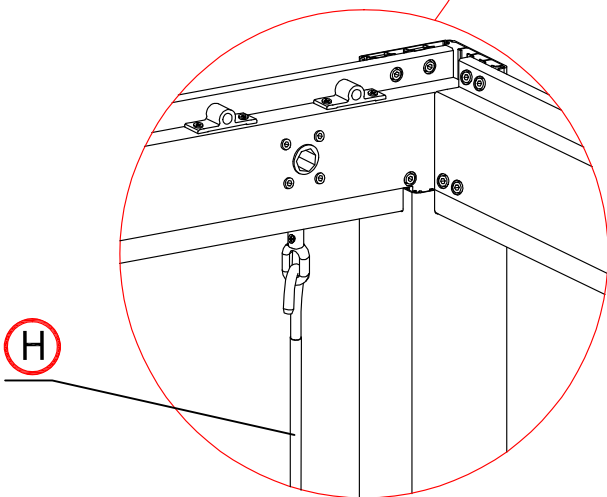
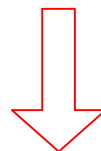
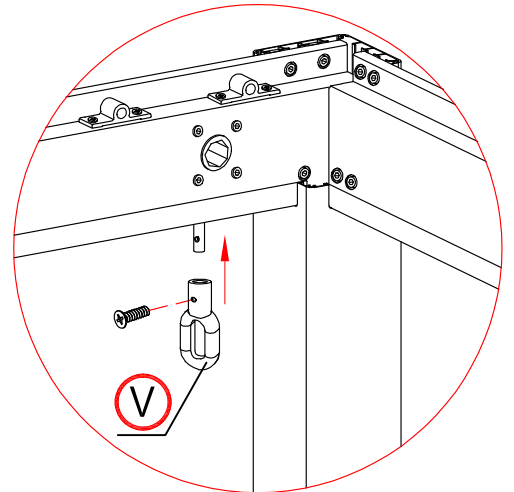
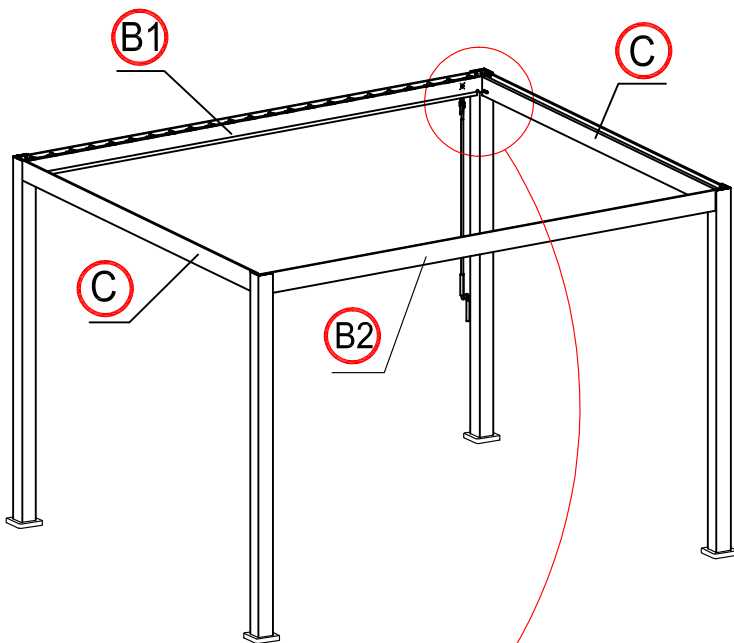
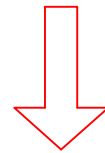
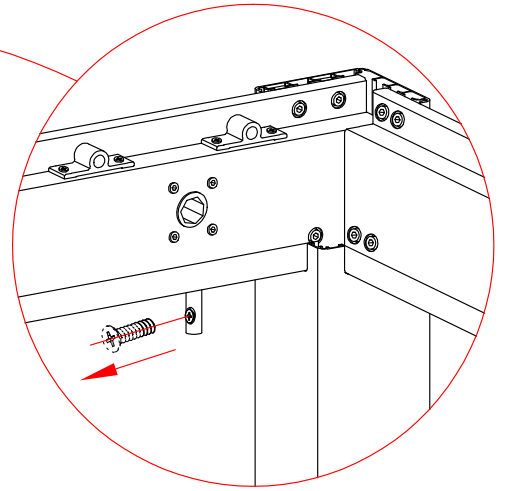
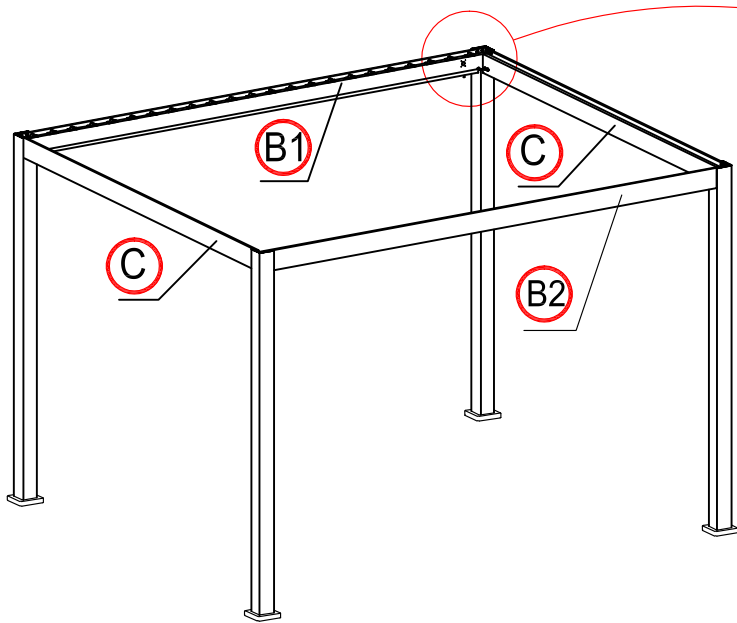
2

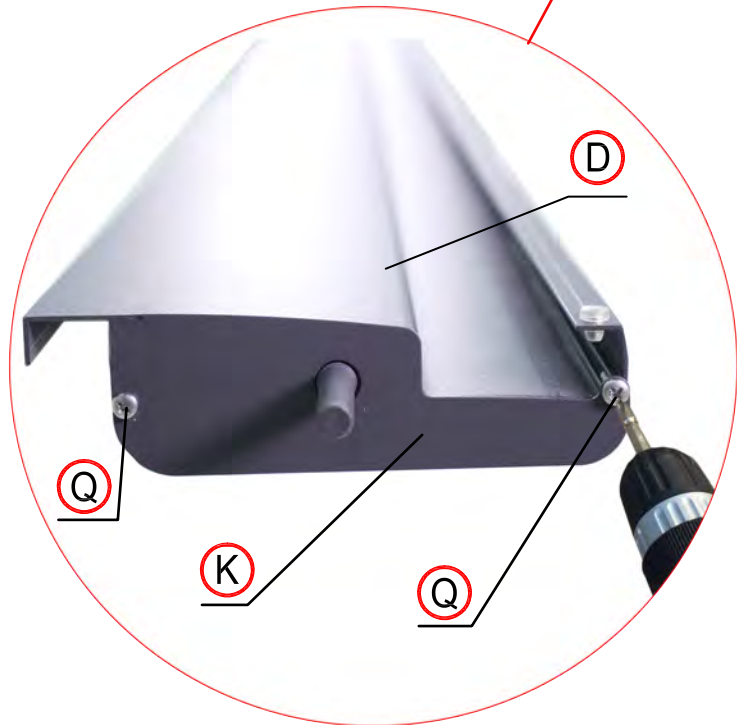
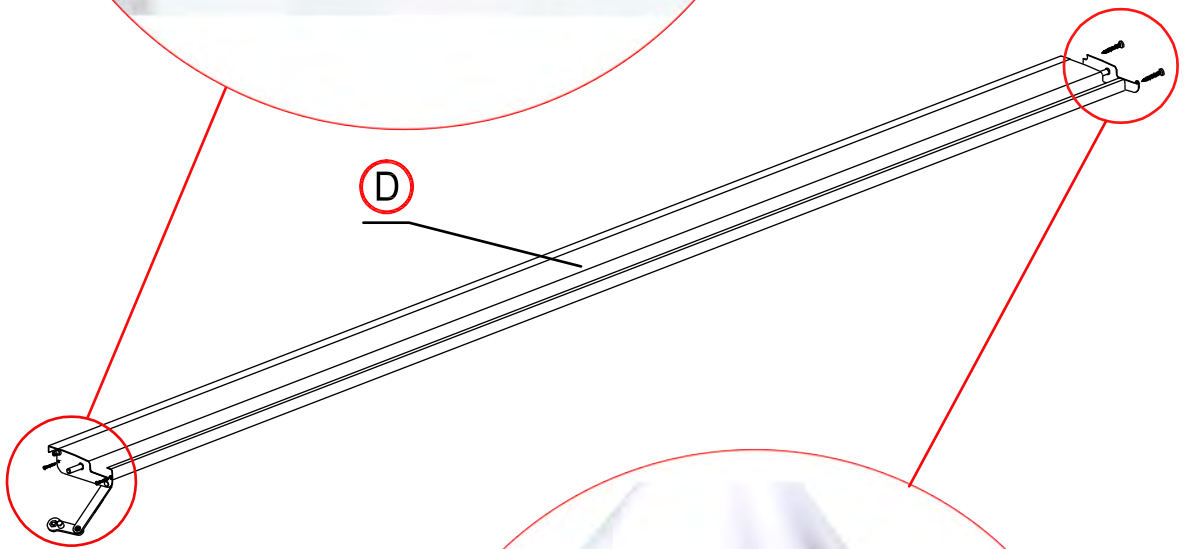
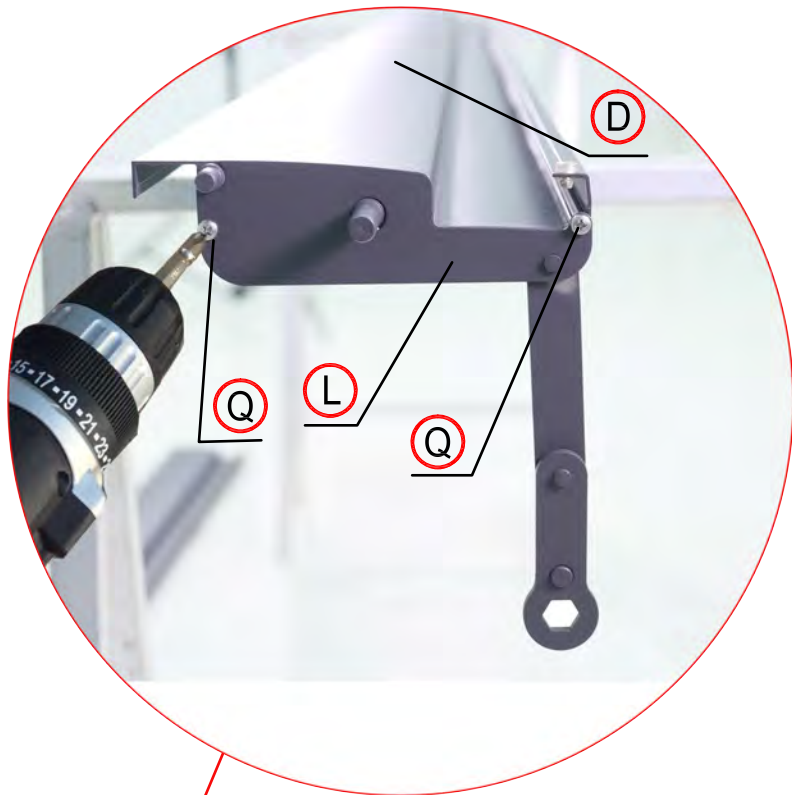


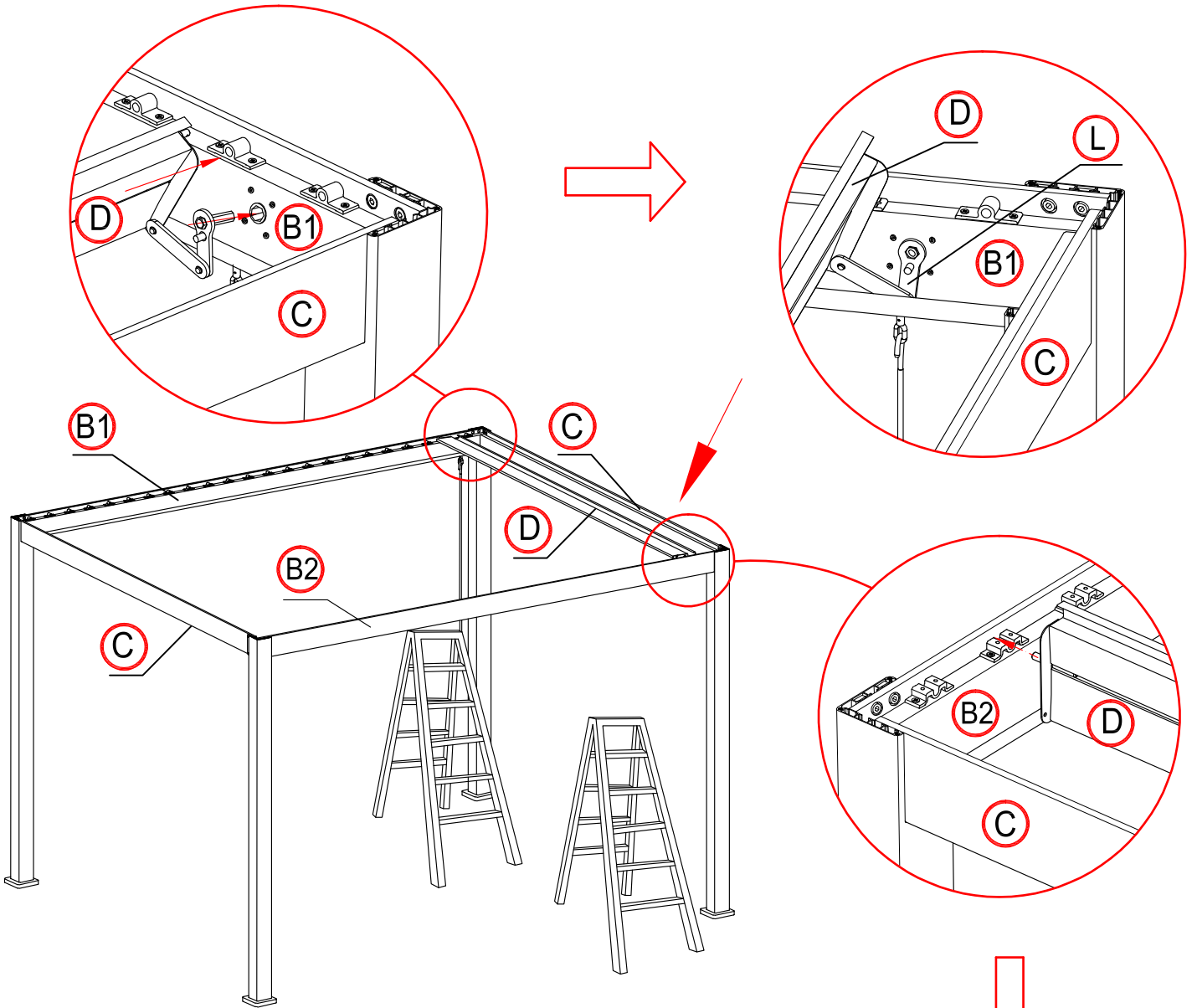




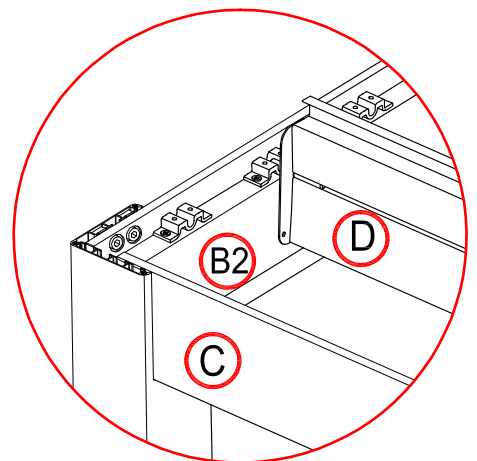
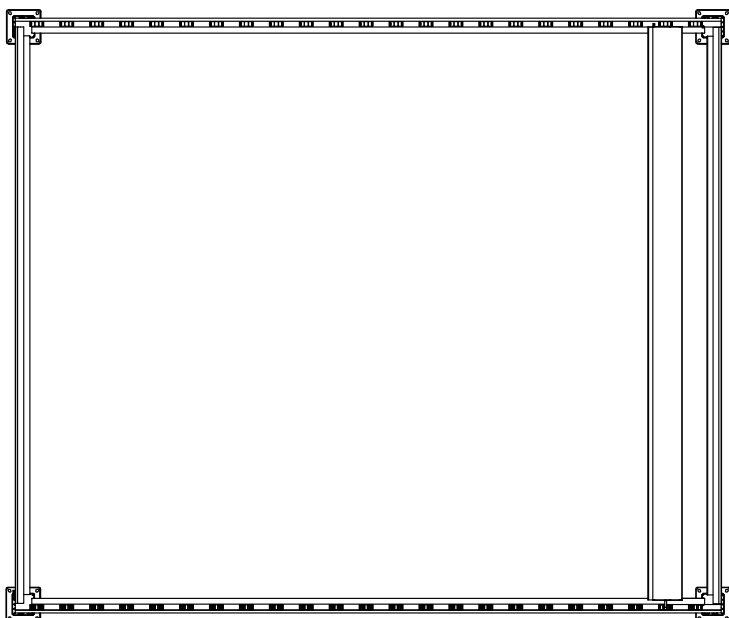


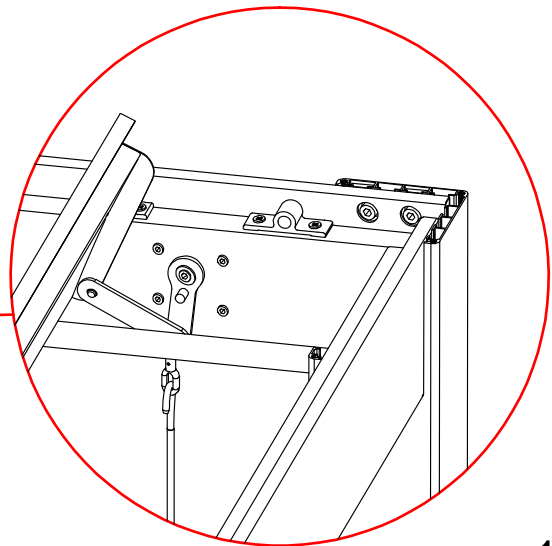
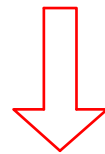
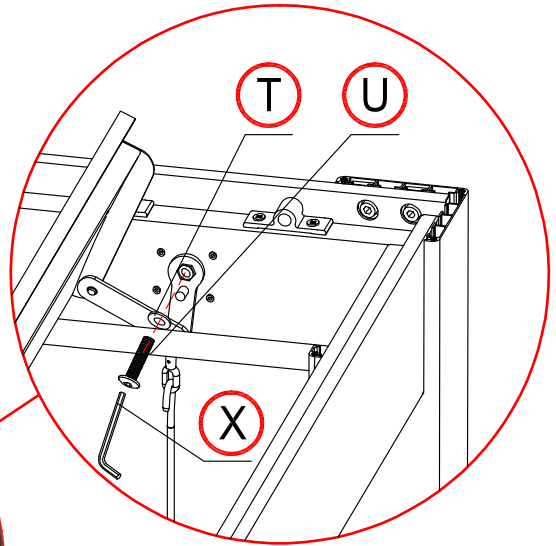
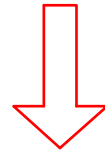
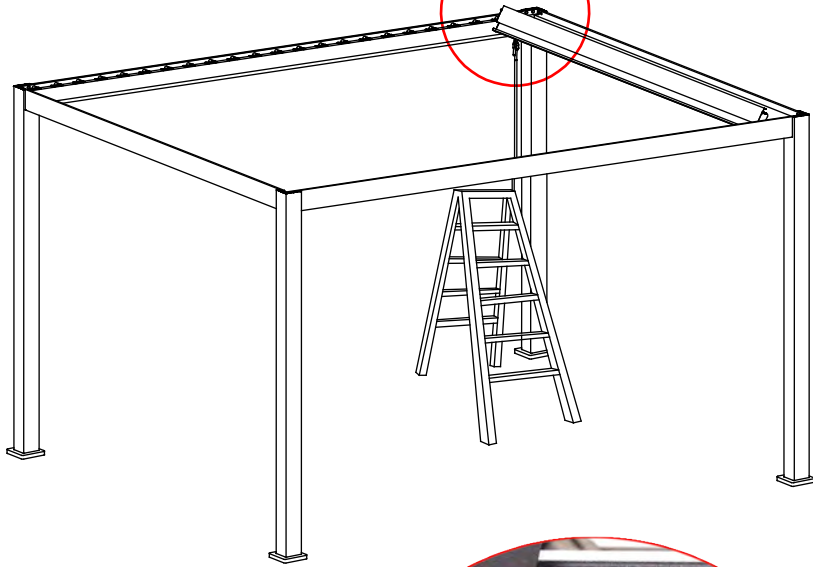
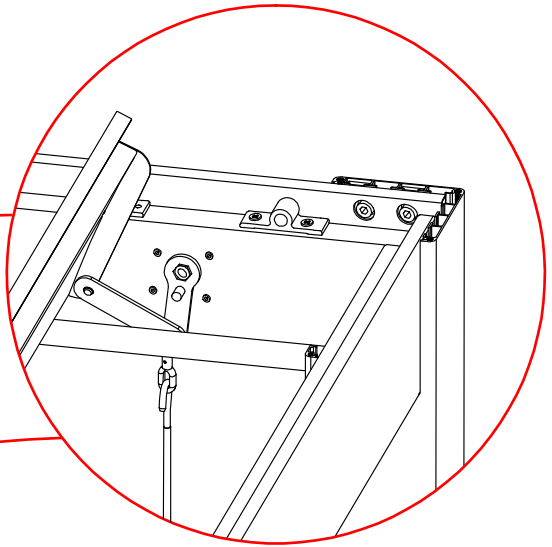


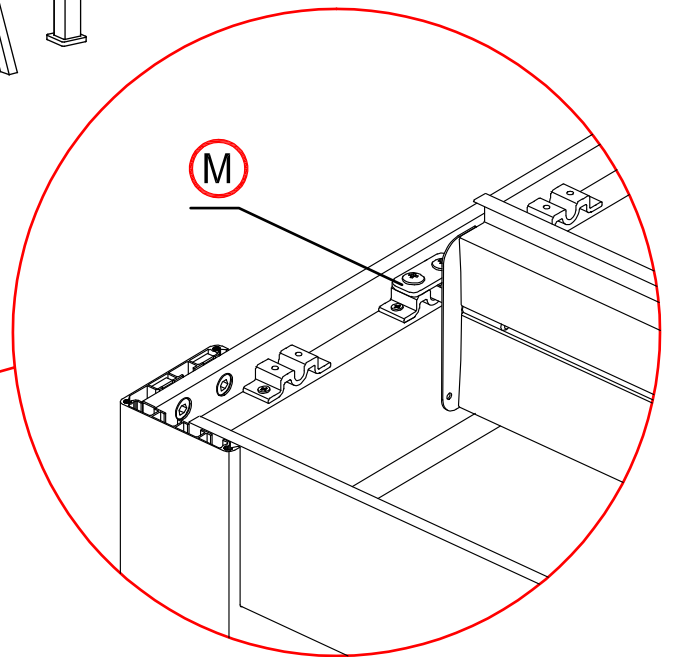
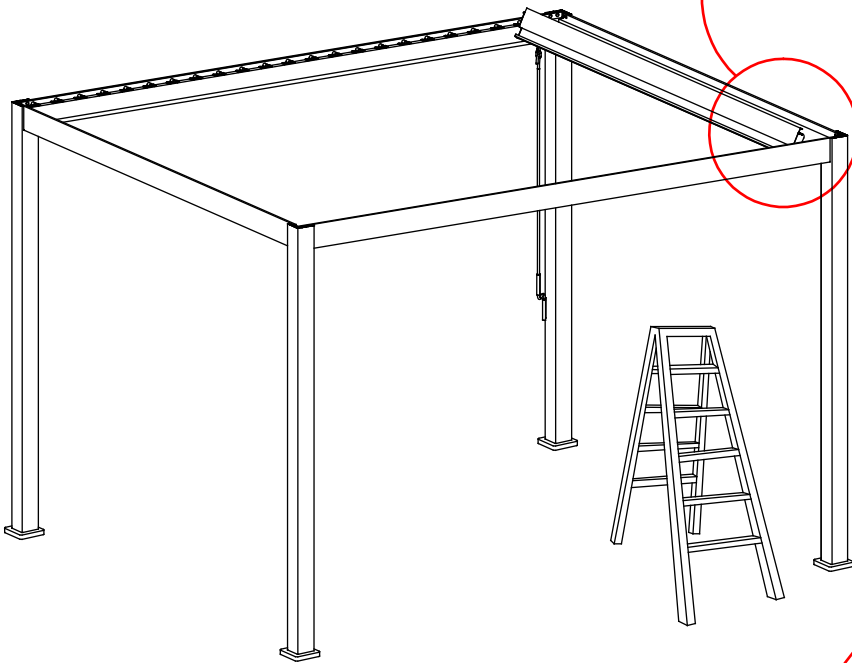
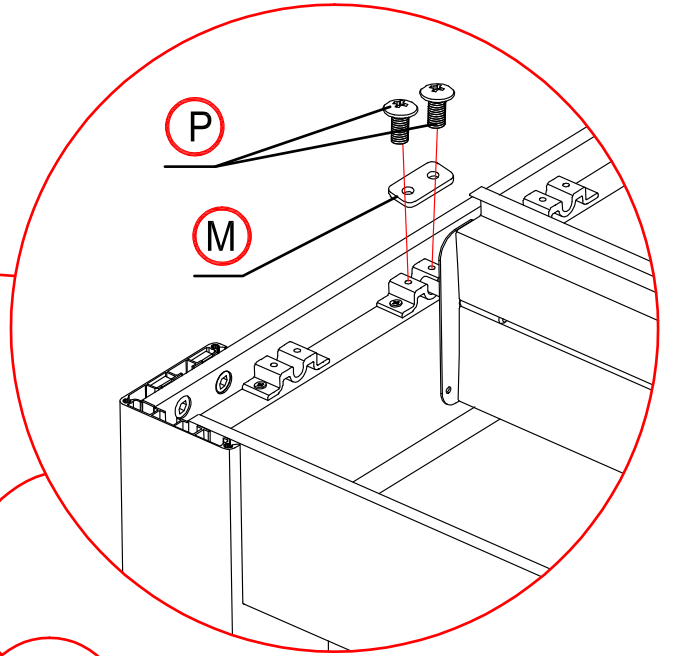
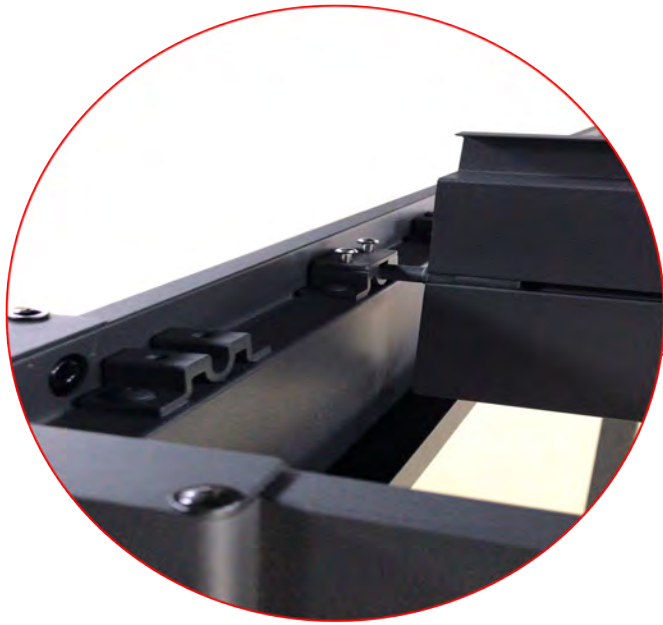




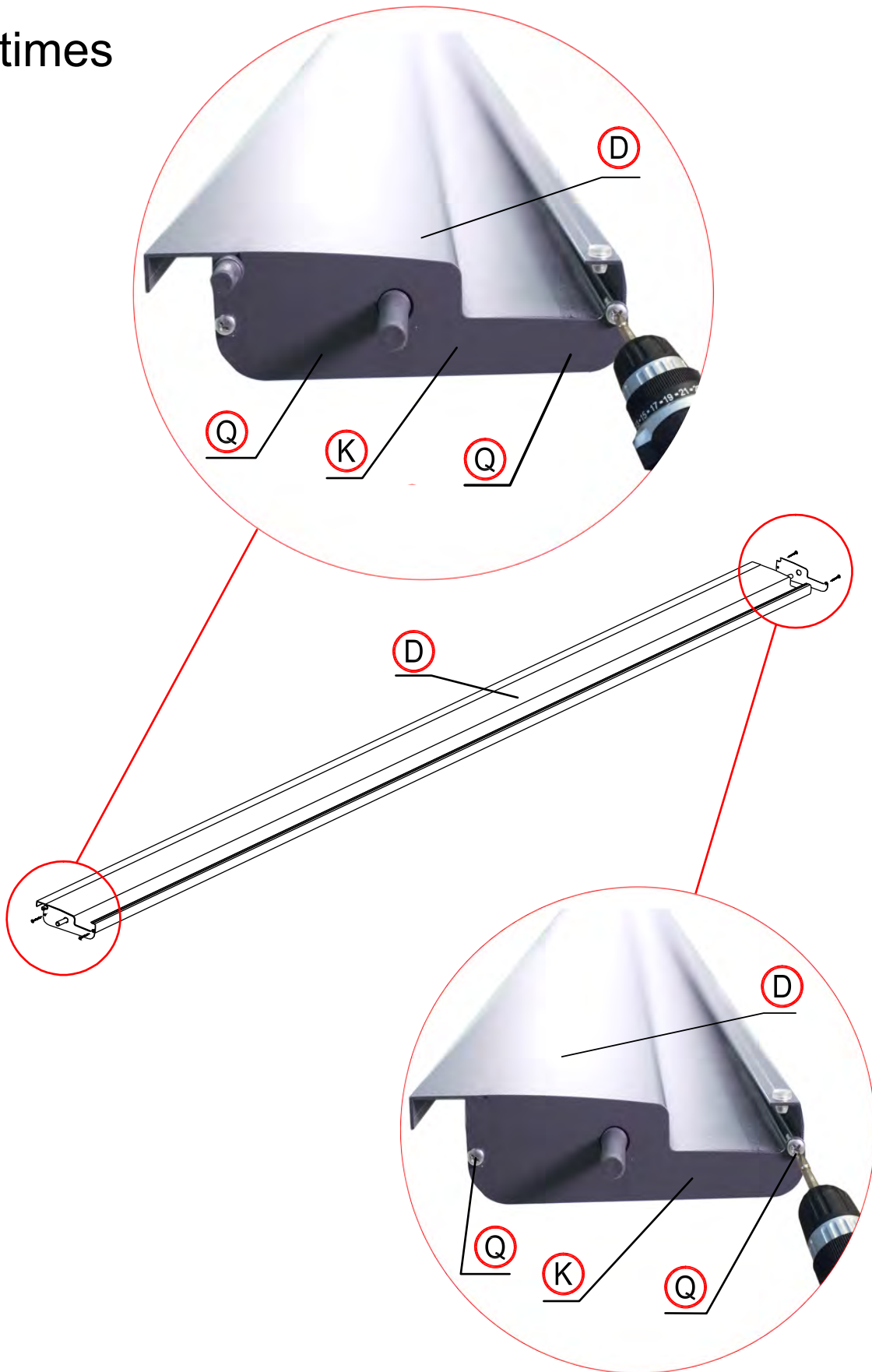
Assemble the second slice to the right.

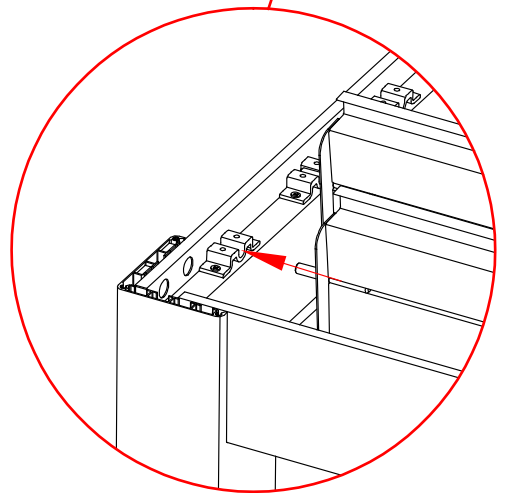
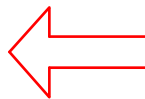
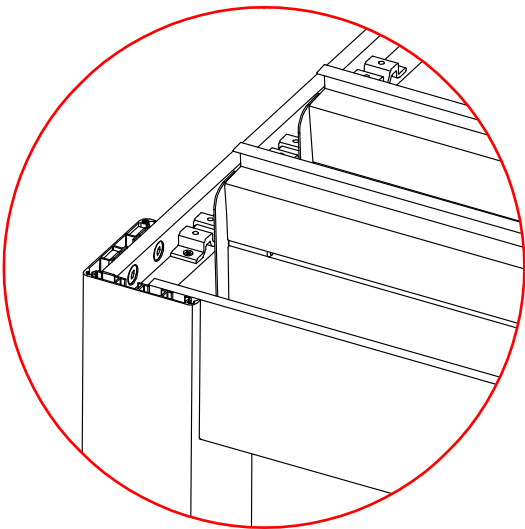
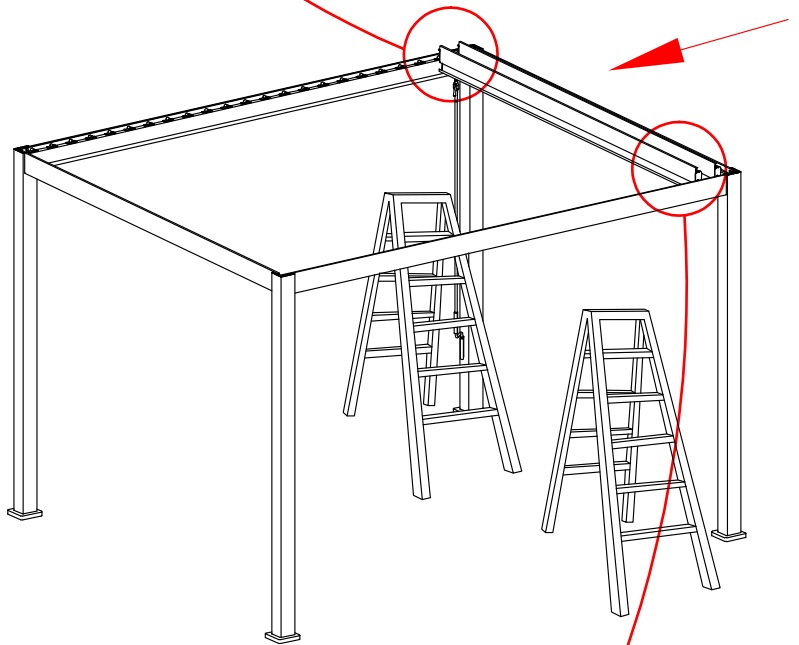
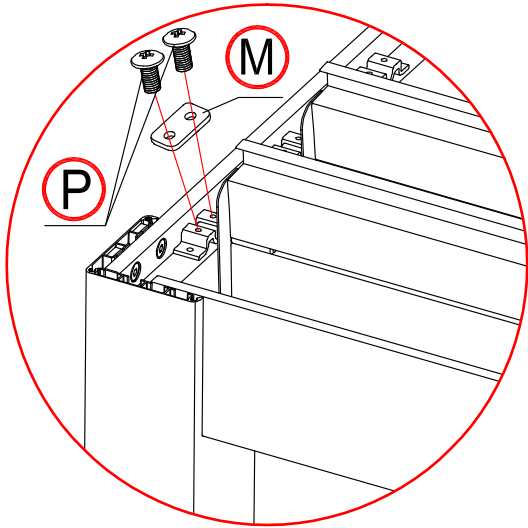
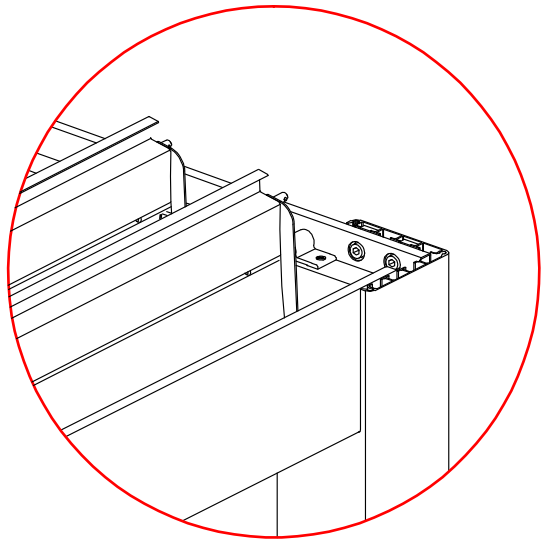
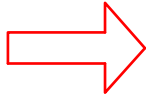
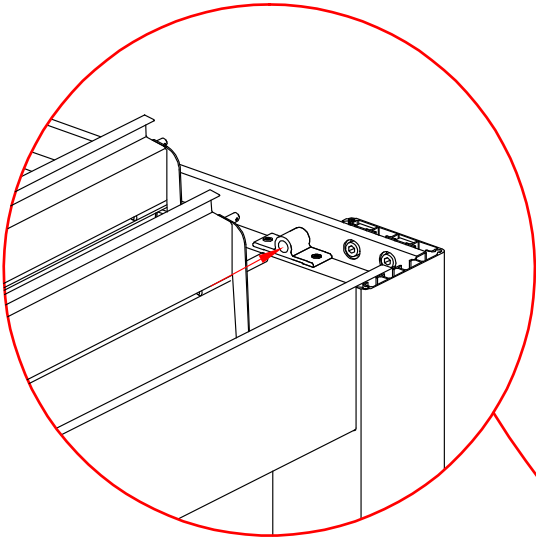




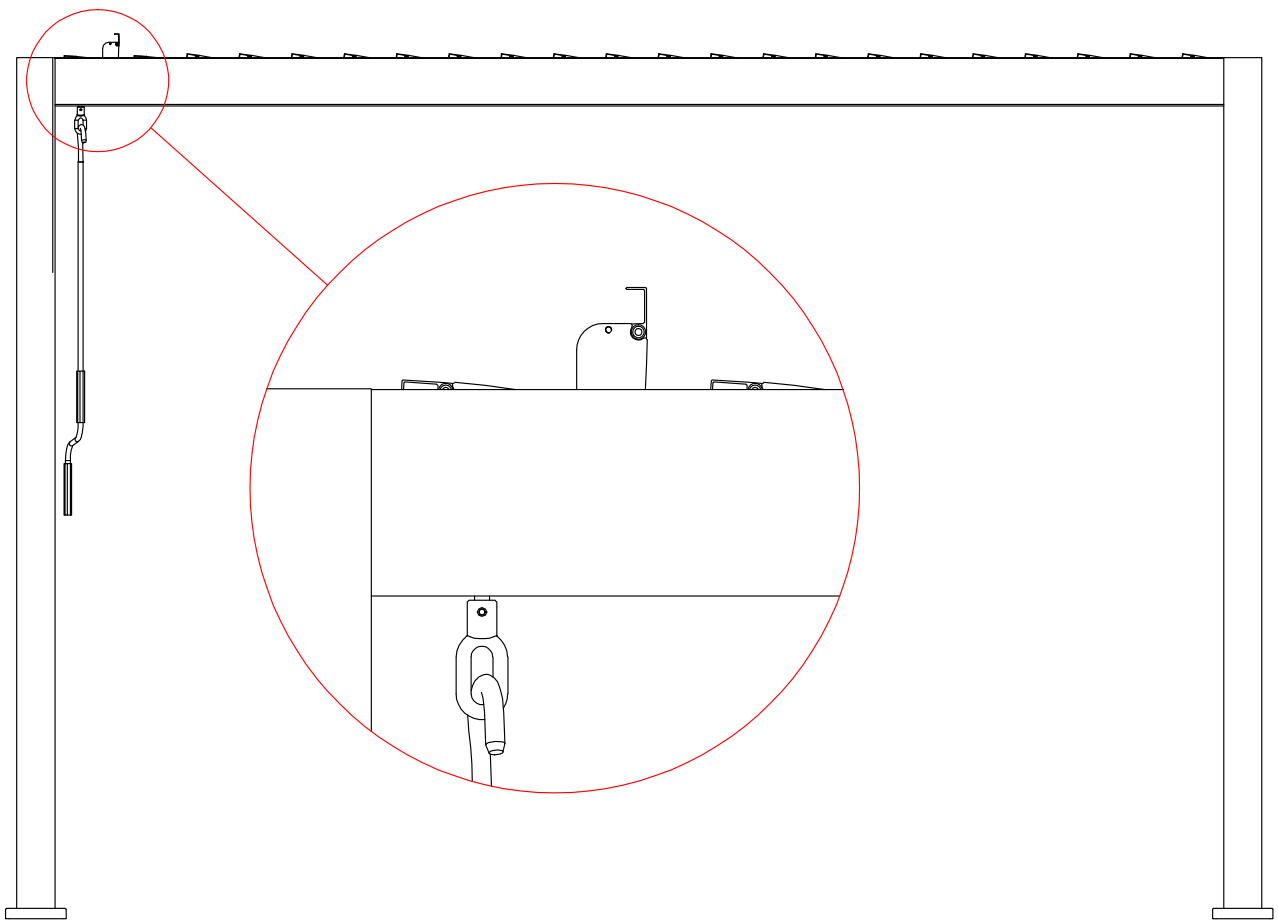


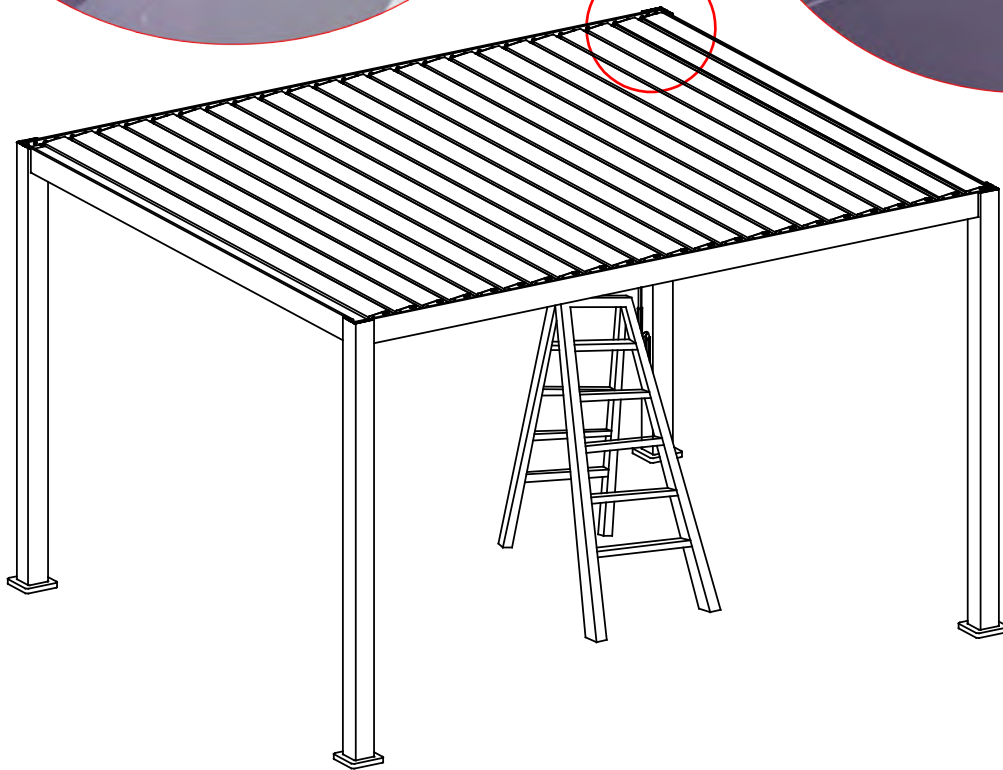
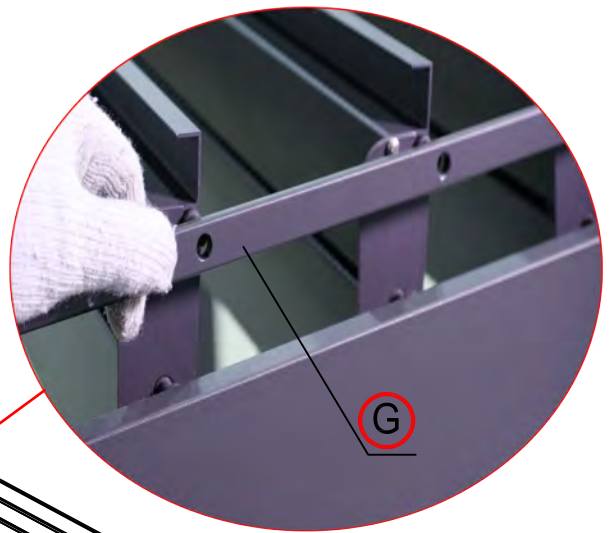
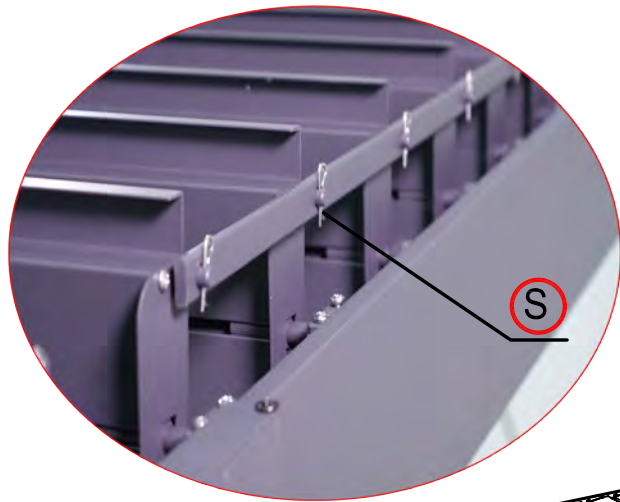
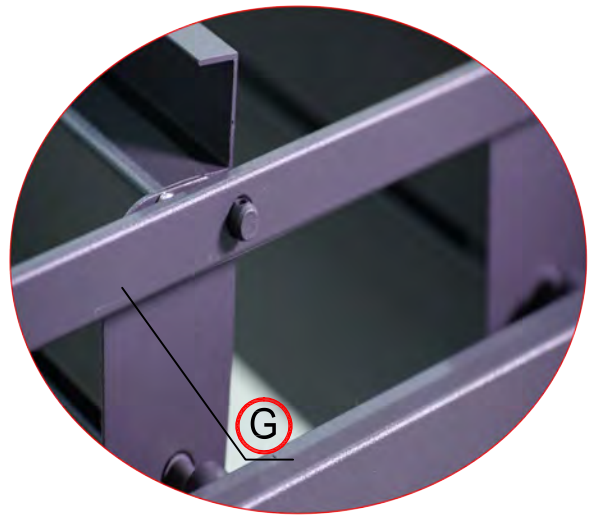
×22 times



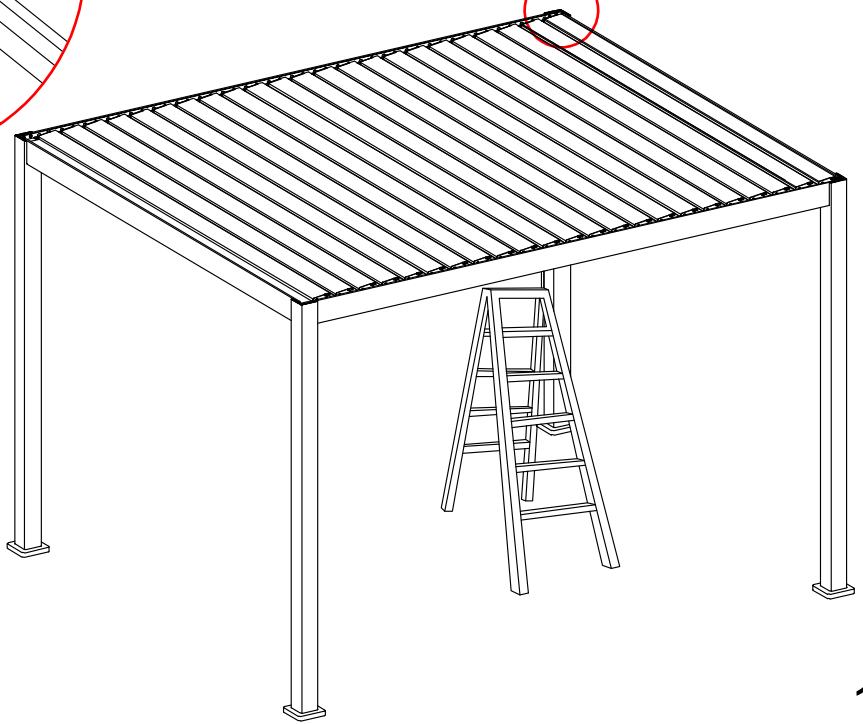
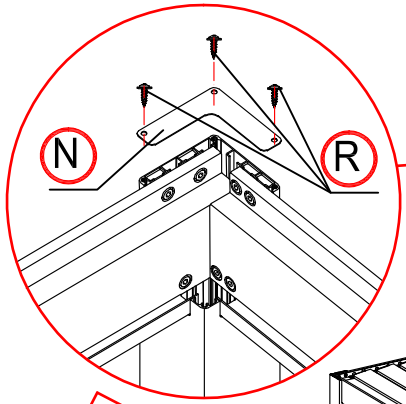


Make the shutter as vertical.



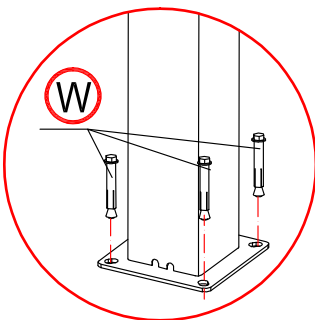
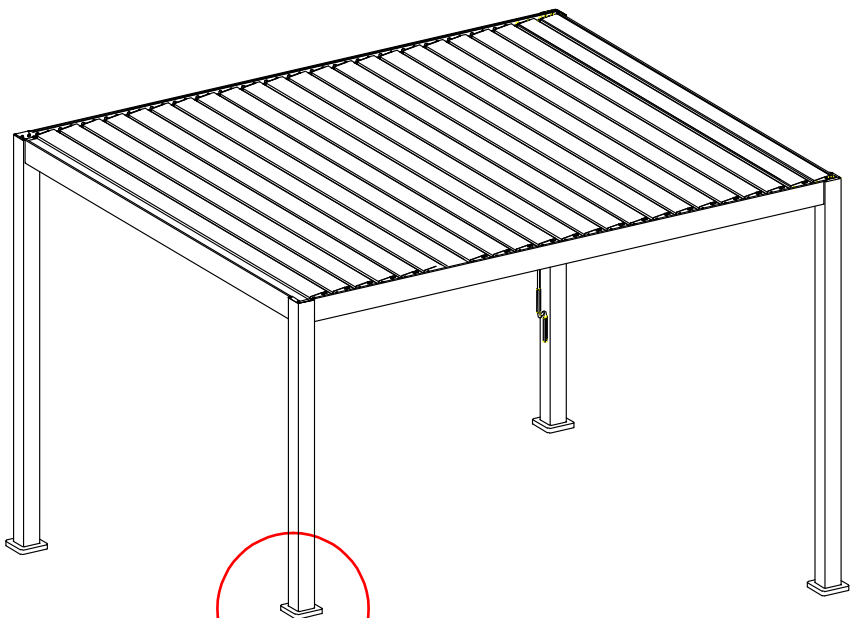


×4 times



16

×4 times



17

Contact information

Head office:

Dancover A/S
Lyngevej 16A, Nørre Herlev
3400 Hillerød
Denmark

For more information
please visit:
www.dancovershop.com

National contact

Denmark:

denmark@dancover.com

UK:

uk@dancover.com

Germany:

germany@dancover.com

France:

france@dancover.com

Sweden:

sverige@dancover.com

Finland:

suomi@dancover.com

Poland:

polska@dancover.com

Luxembourg:

luxembourg@dancover.com

Portugal:

portugal@dancover.com

Spain:

espana@dancover.com

Italy:

italia@dancover.com

Switzerland:

schweiz@dancover.com

Austria:

austria@dancover.com

Norway:

norge@dancover.com

Nederland:

nederland@dancover.com

Ireland:

ireland@dancover.com

Belgium:

belgique@dancover.com