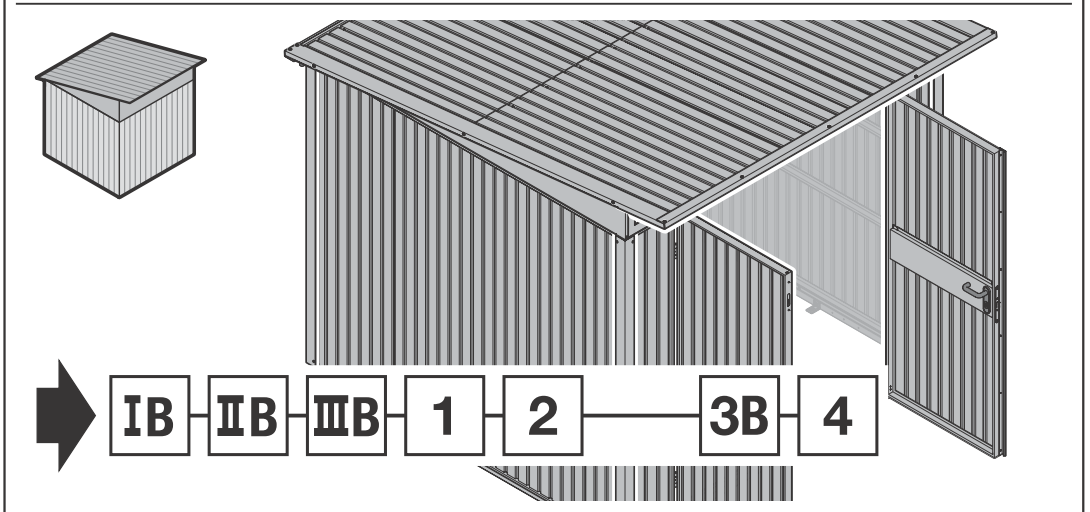
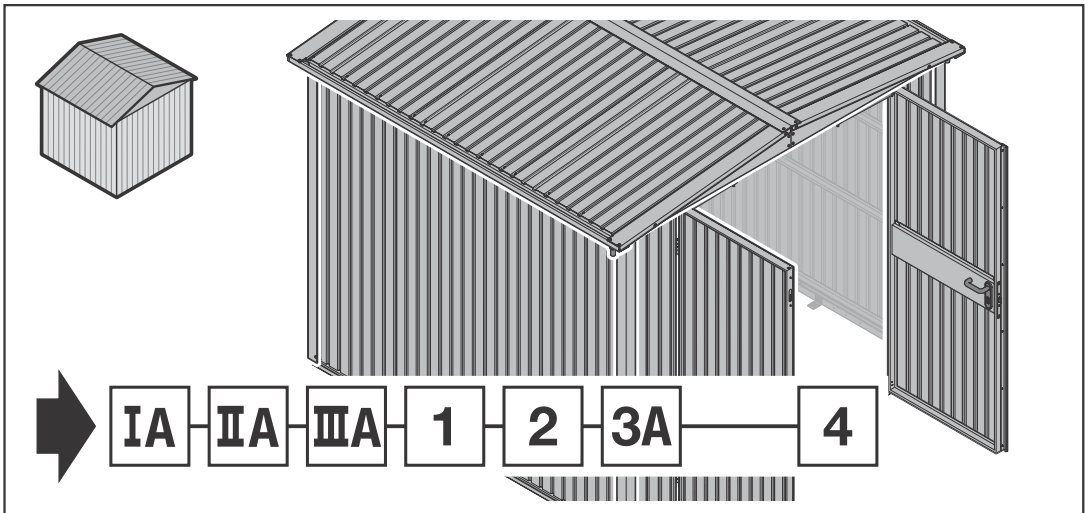
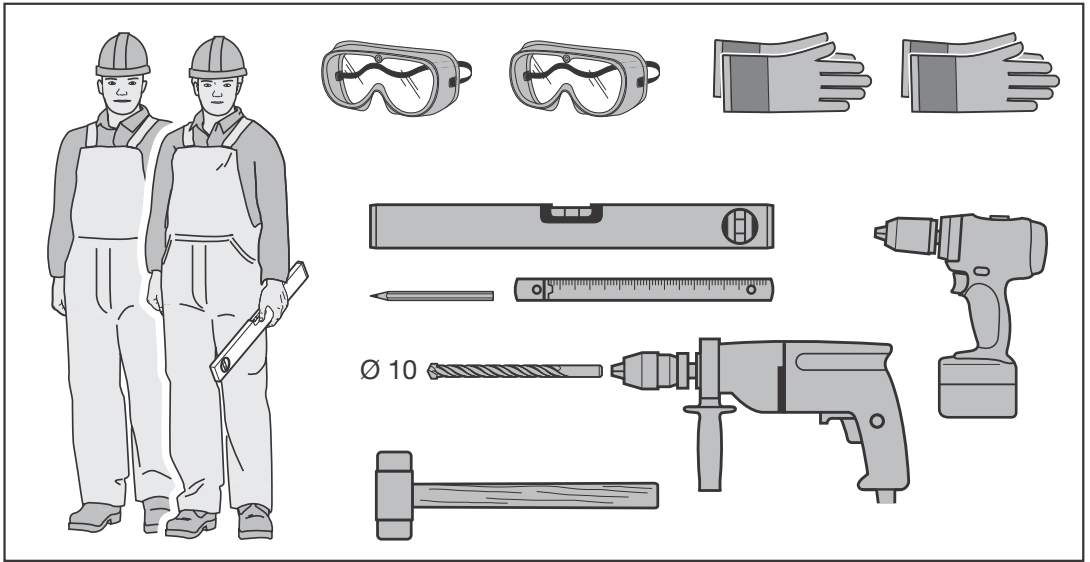


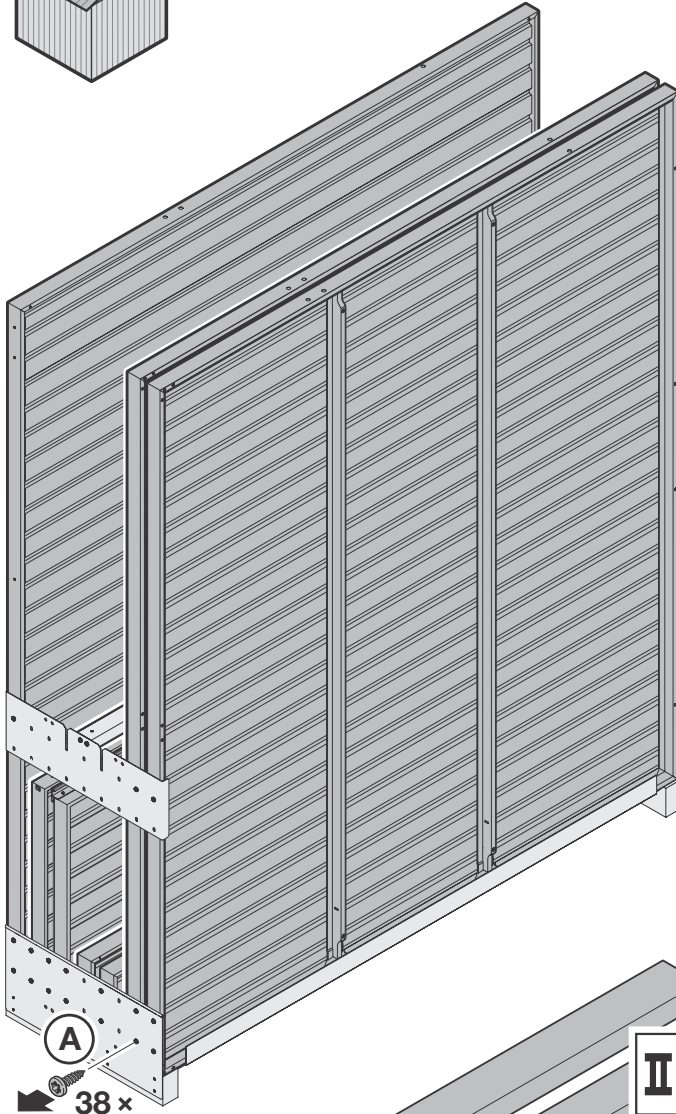
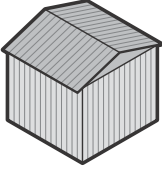
DANCOVER[®]

.com

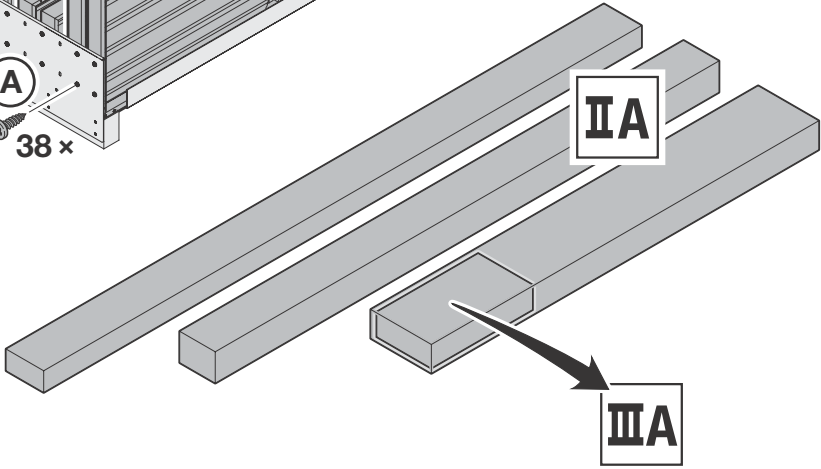
Manual
for
Metal Shed Elegant Typ1
2,59x1,21x2,16m



IA



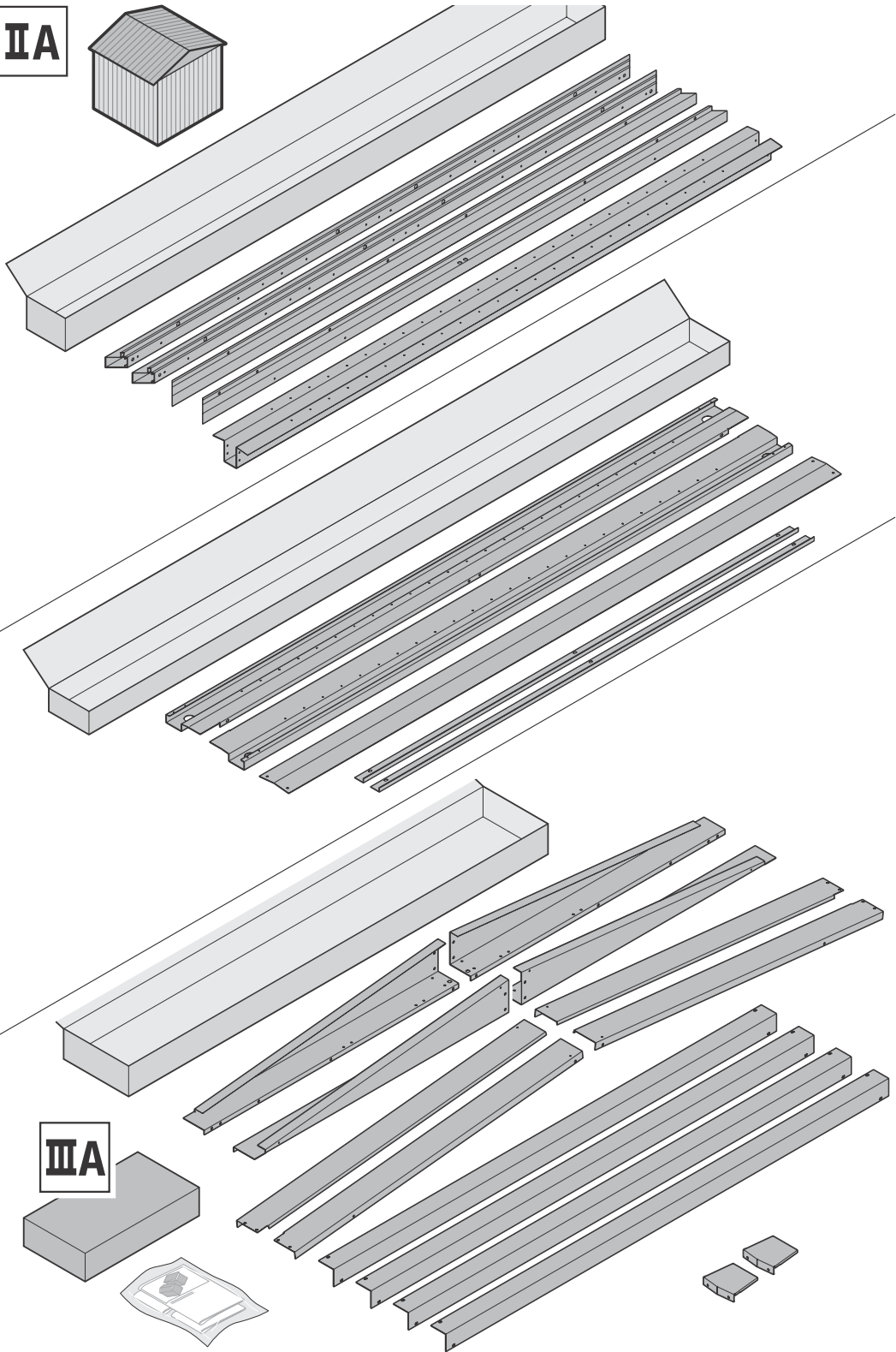
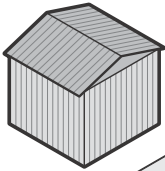
A
38 x



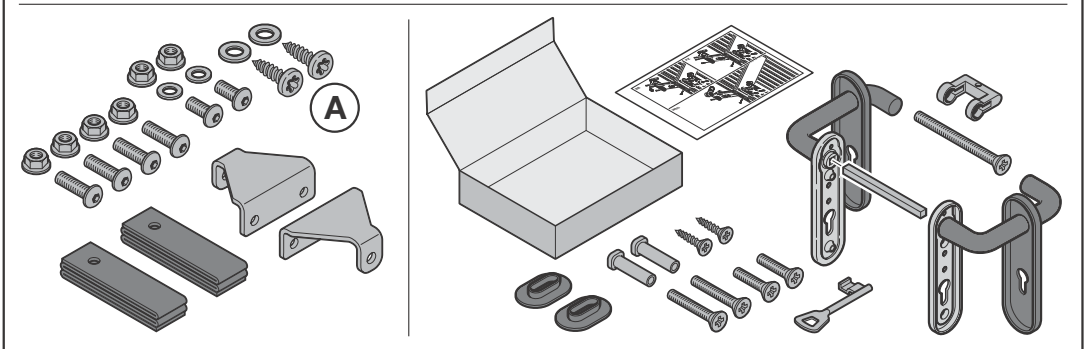
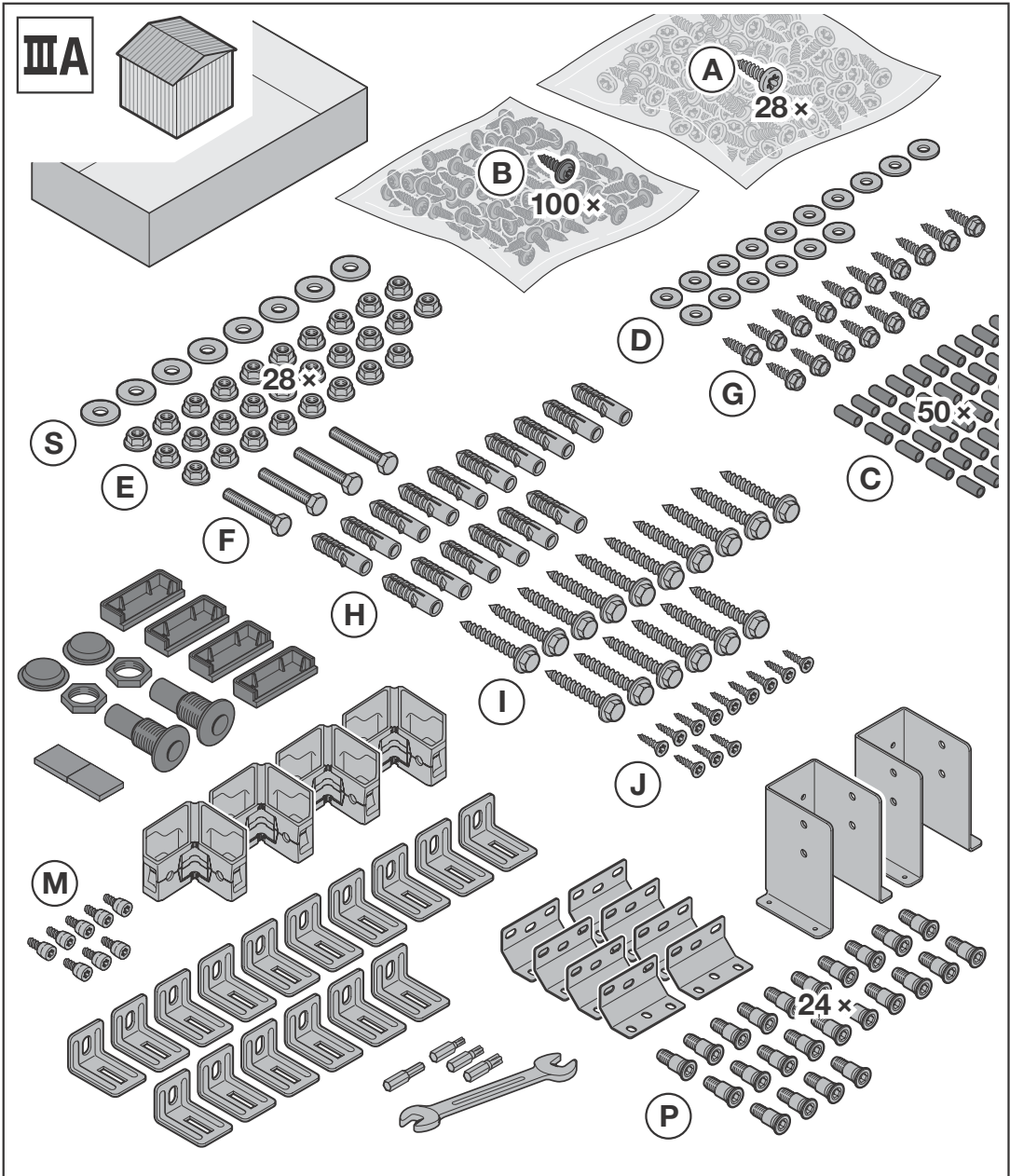
IA

IIIA

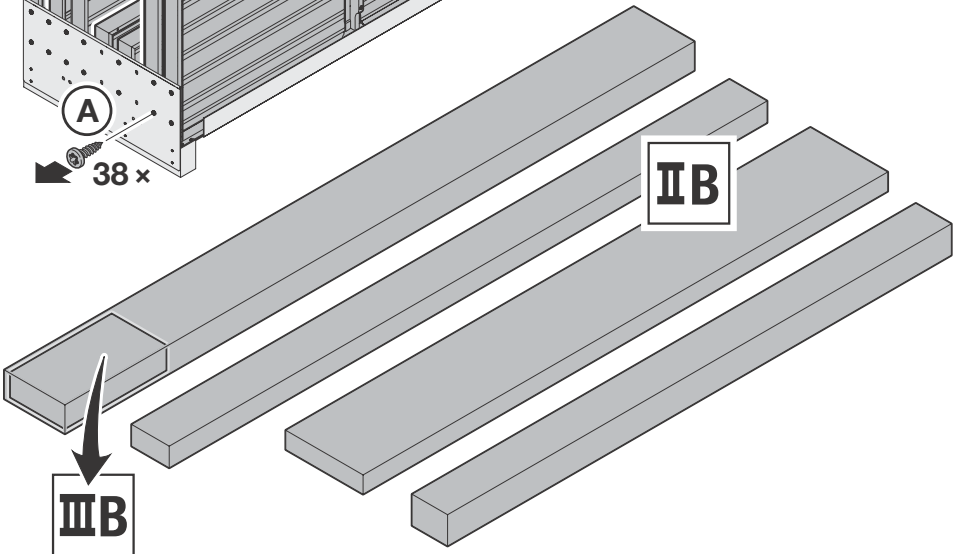
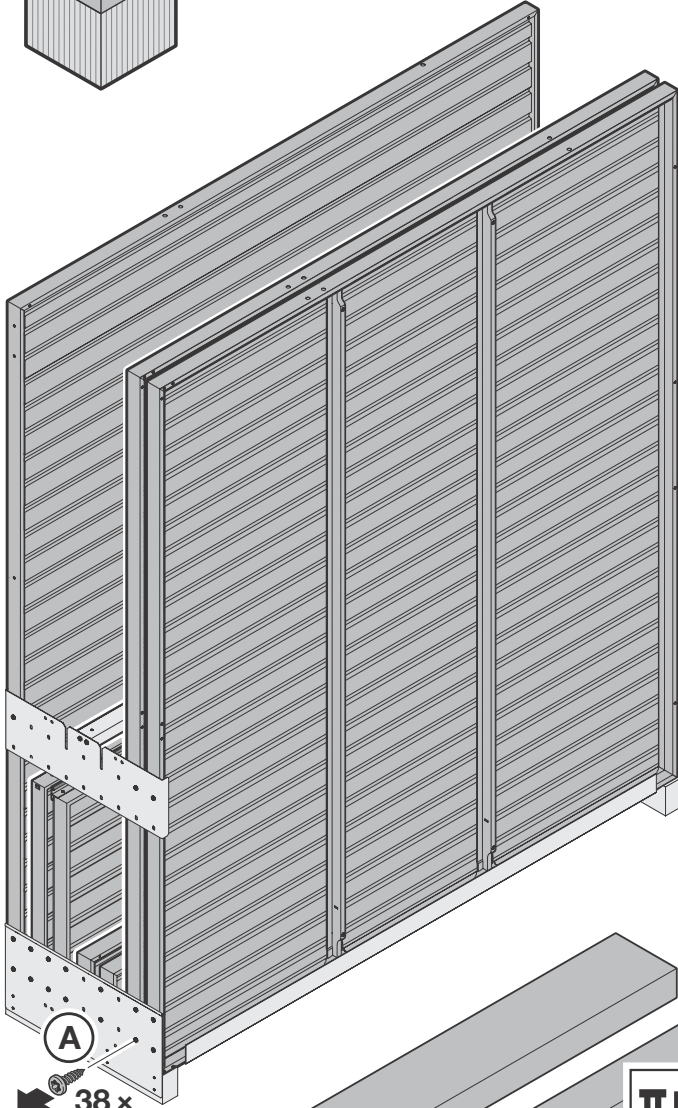
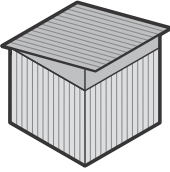
IIA



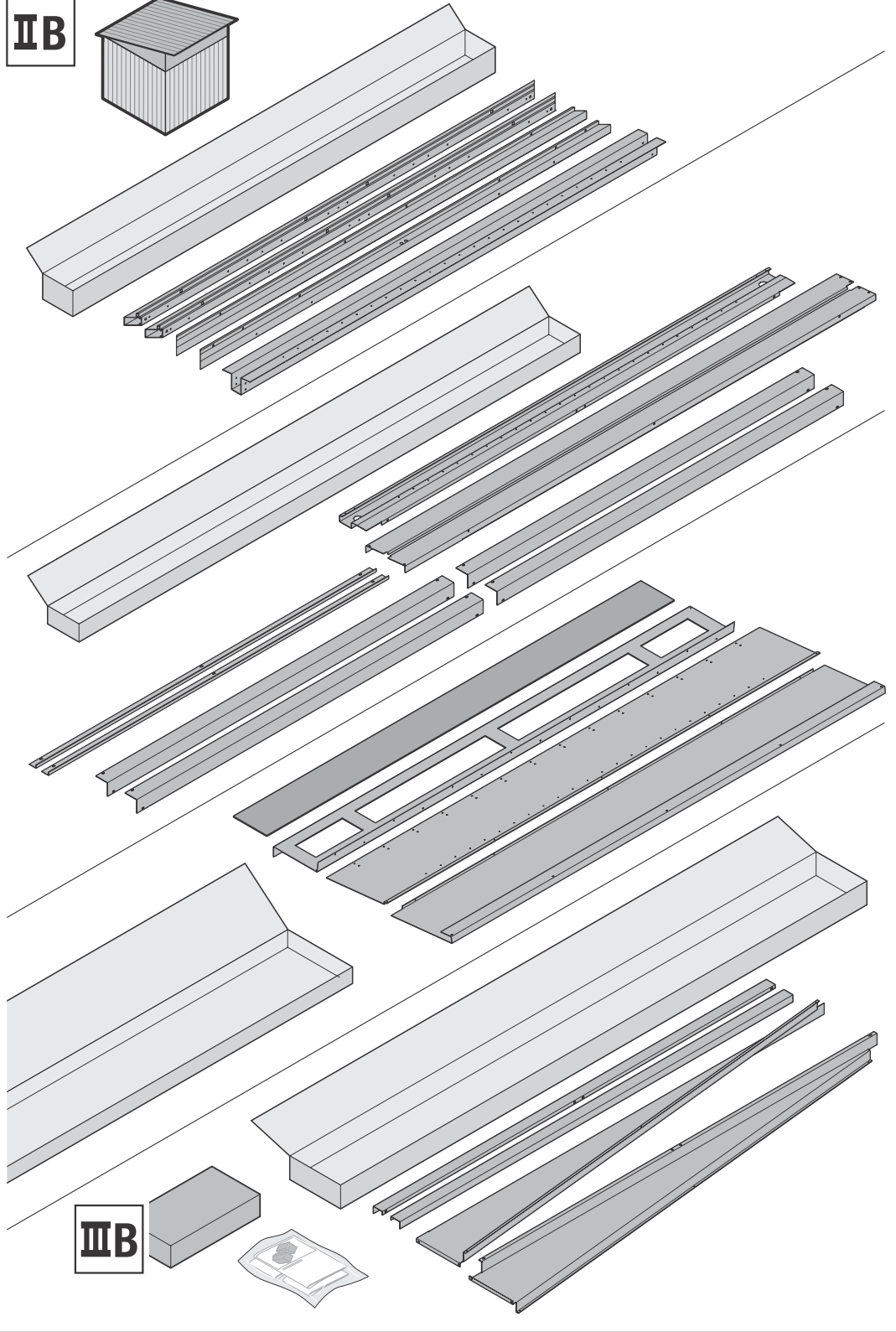
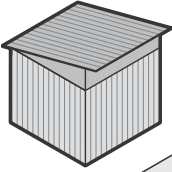
IIIA



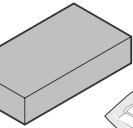
IB



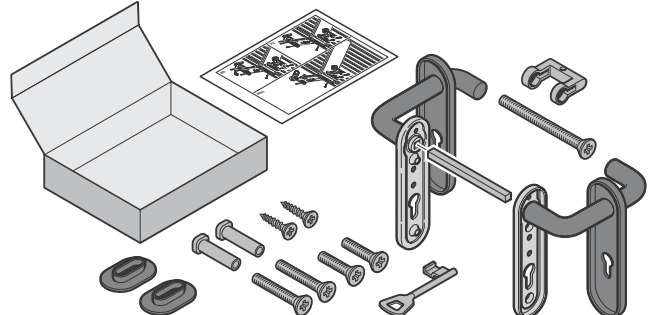
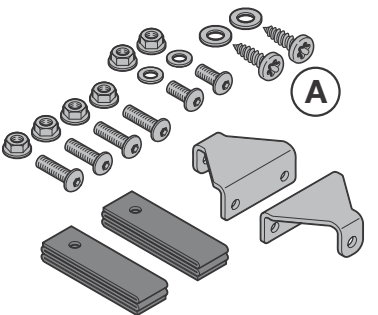
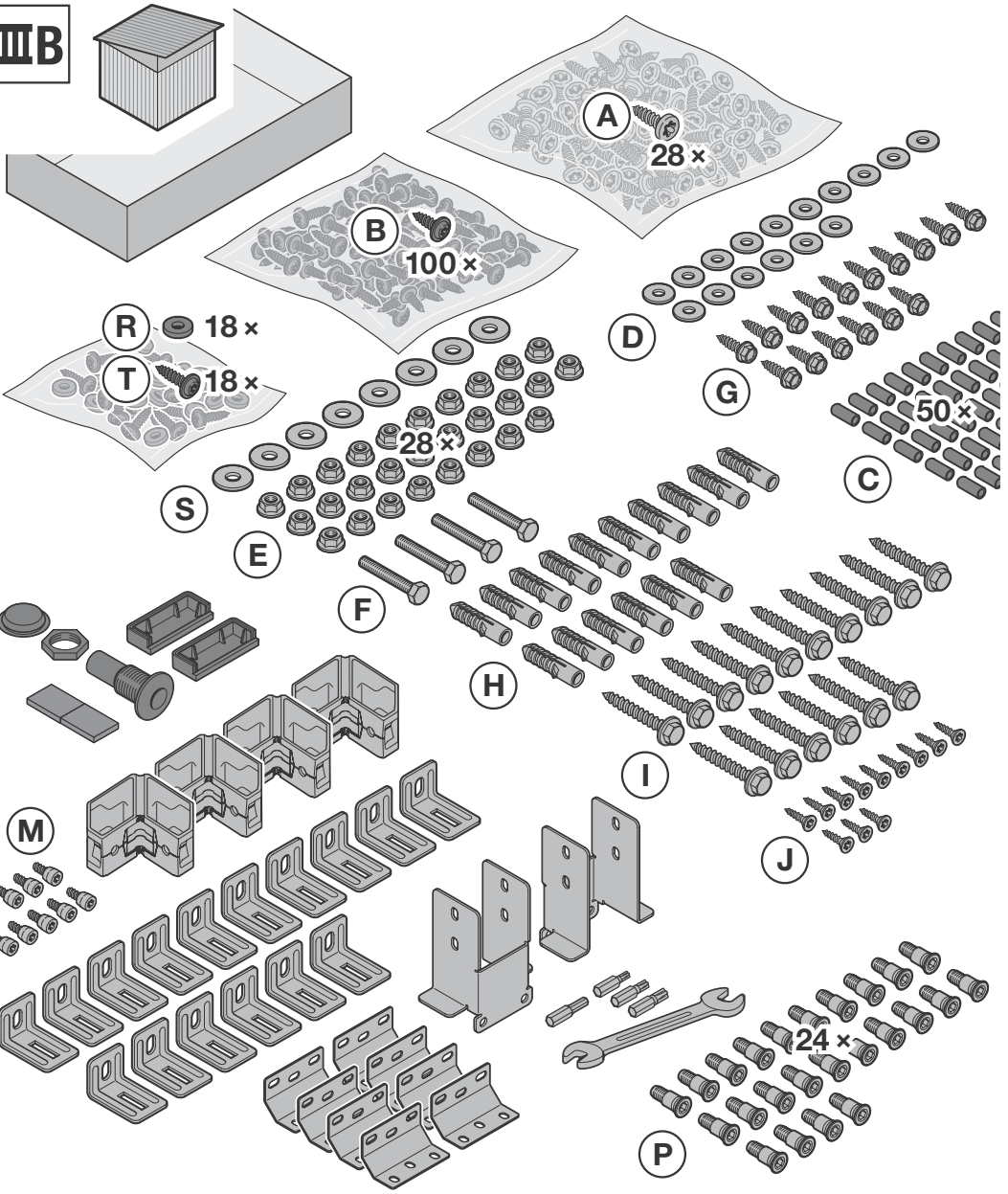
IB



III B



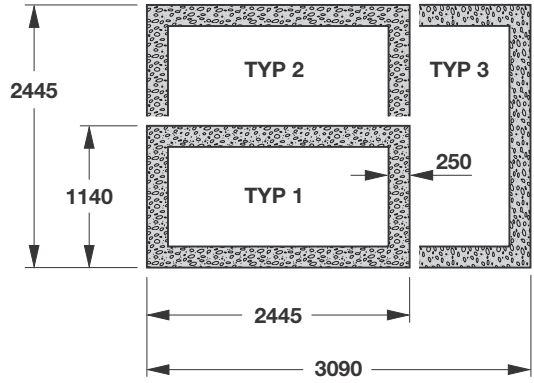
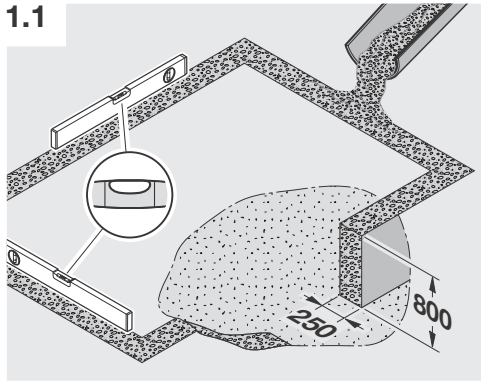
III B



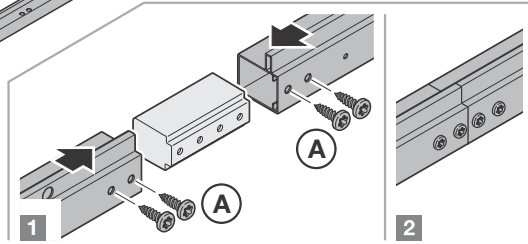
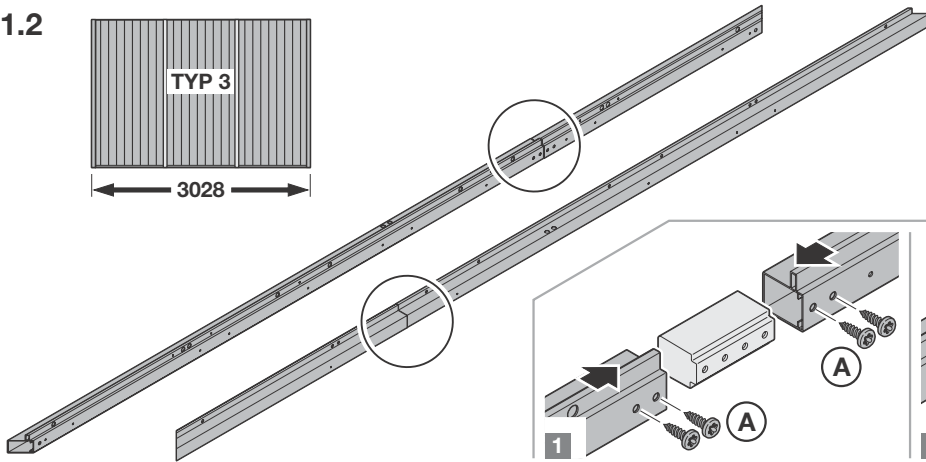
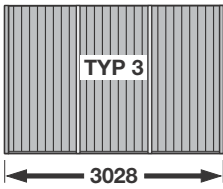
1



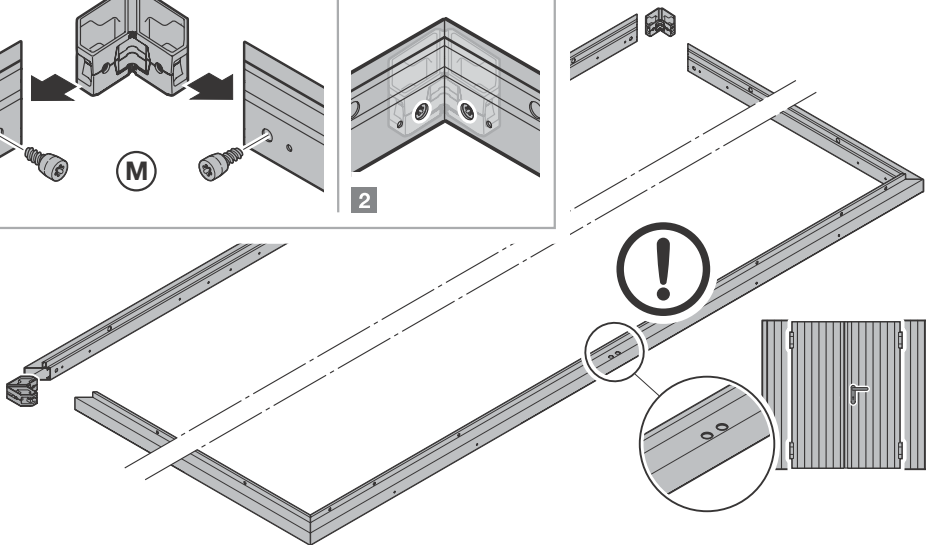
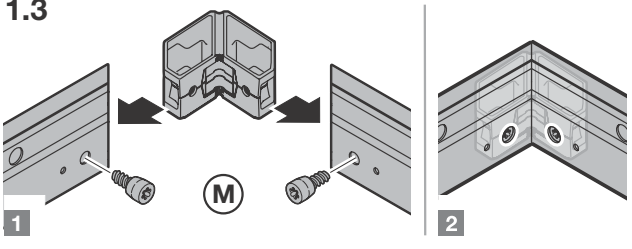
1.1



1.2



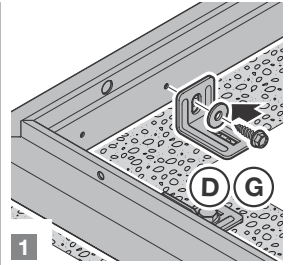
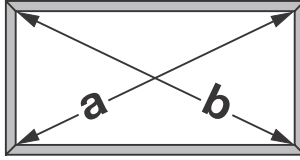
1.3



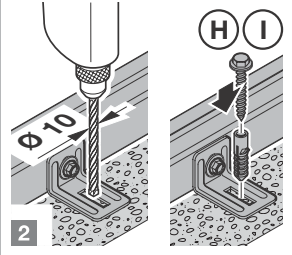
1.4



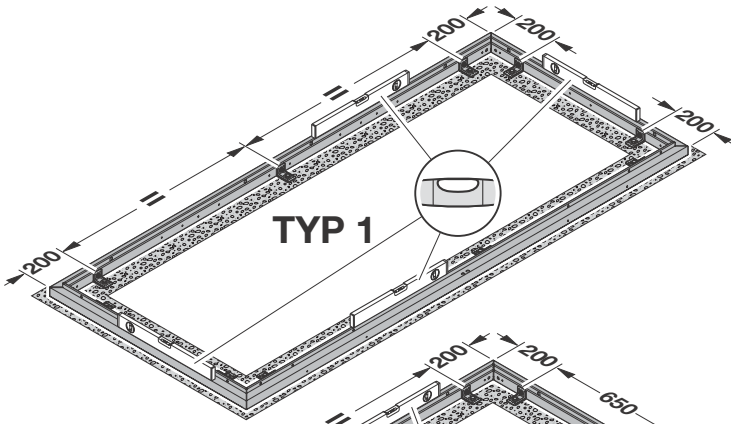
$a = b$



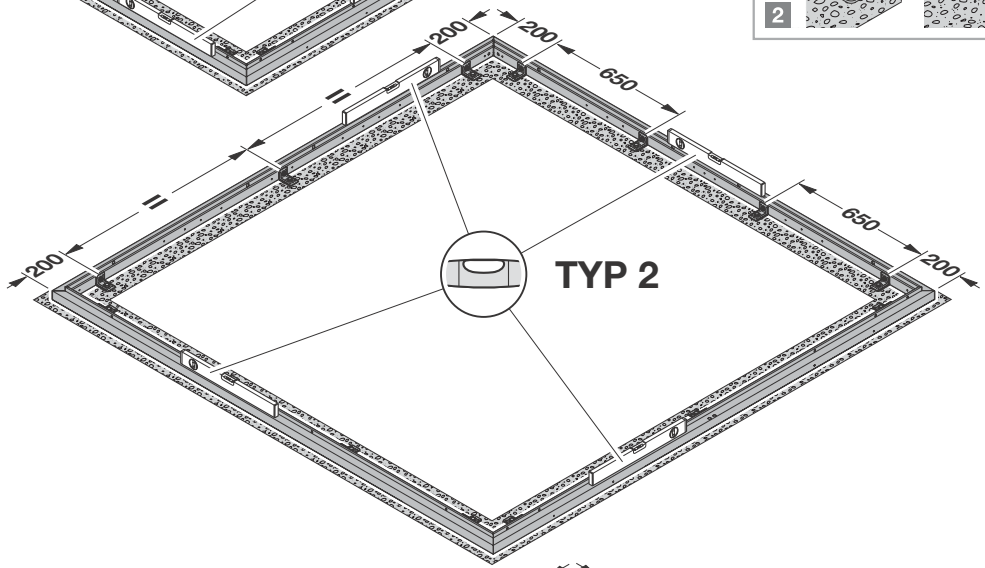
1



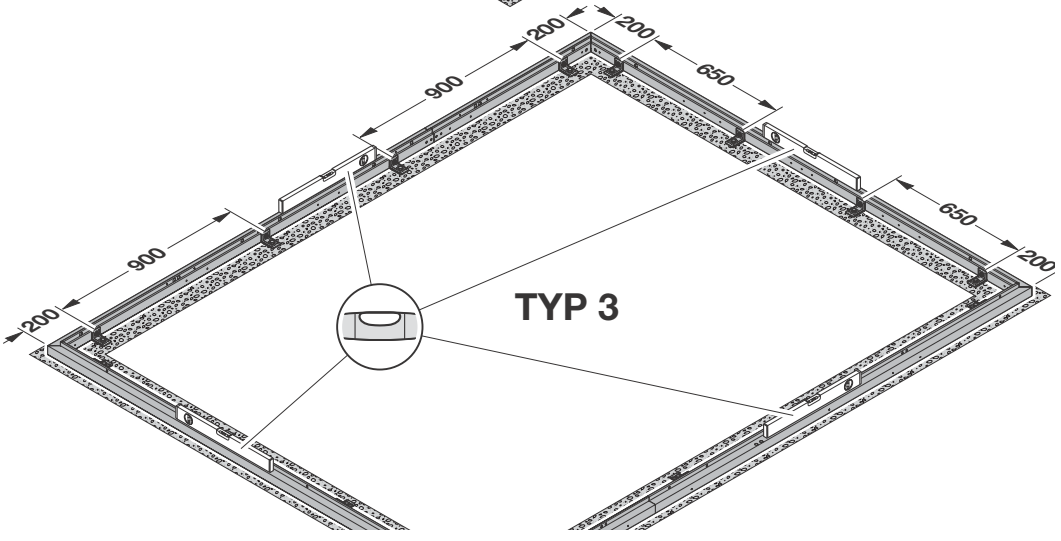
2



TYP 1



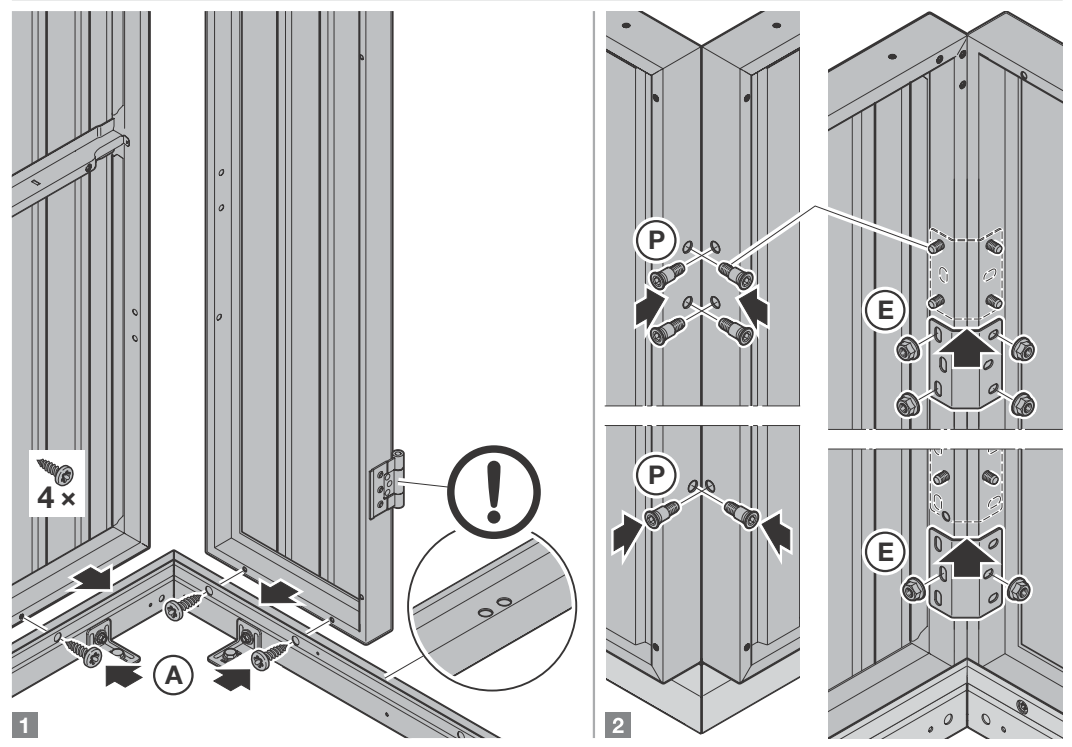
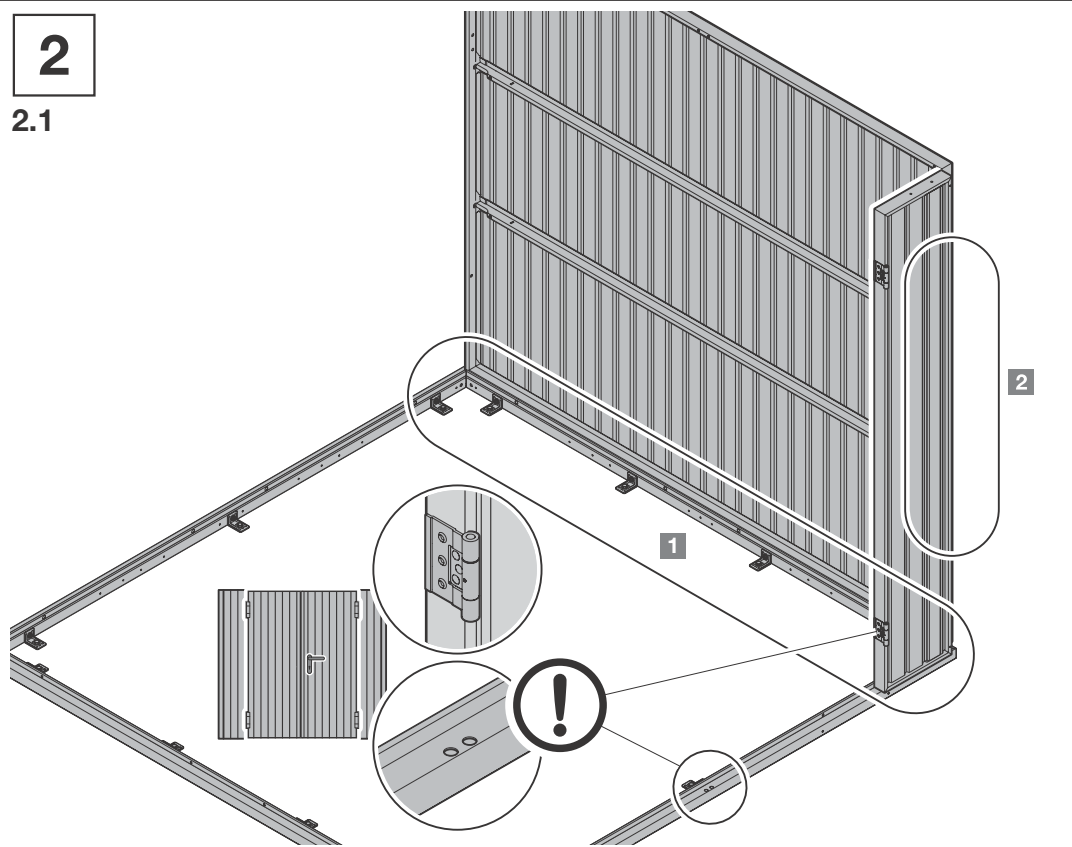
TYP 2



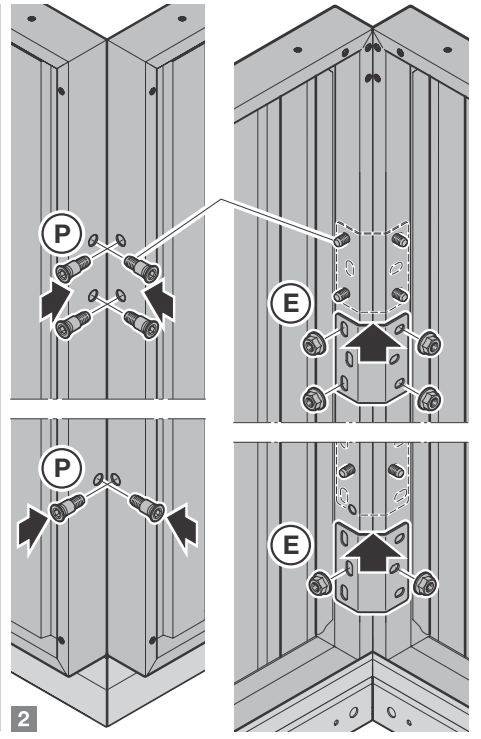
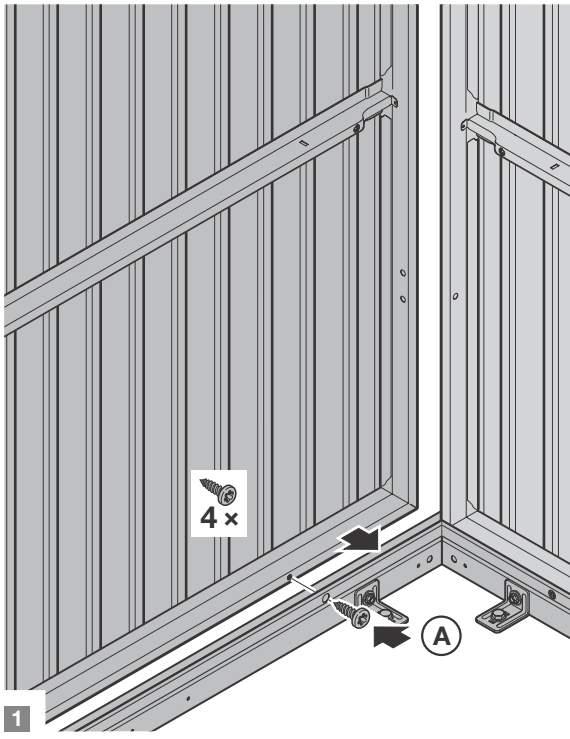
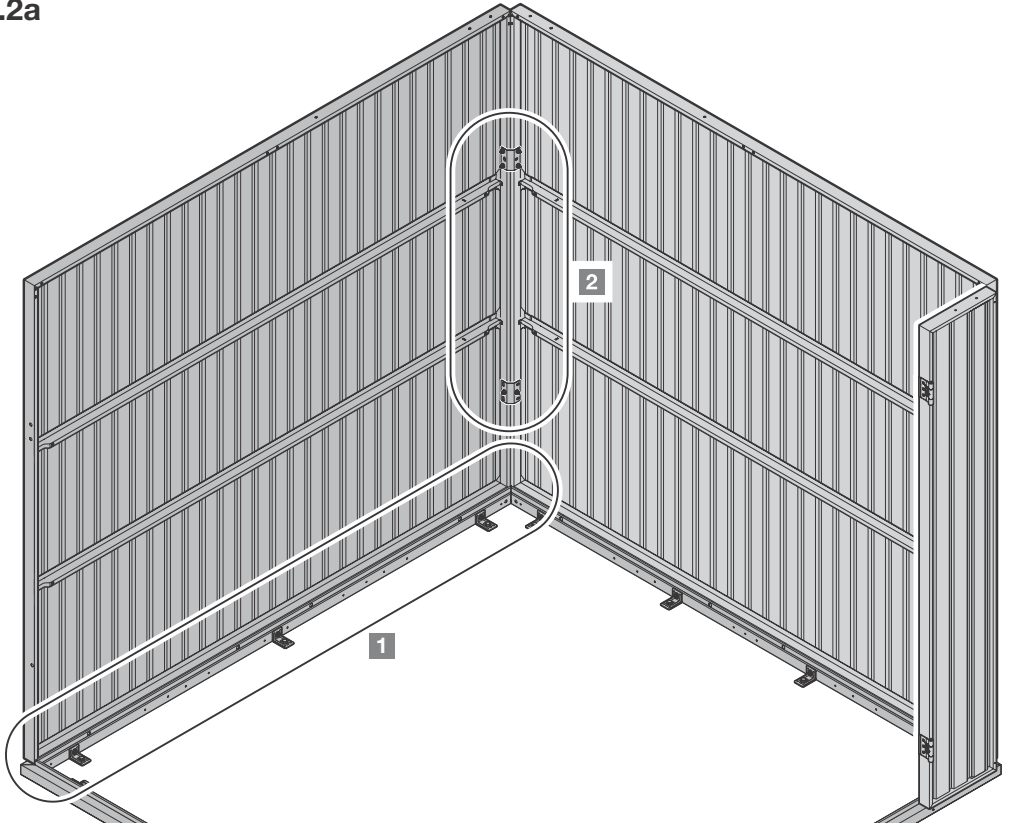
TYP 3

2

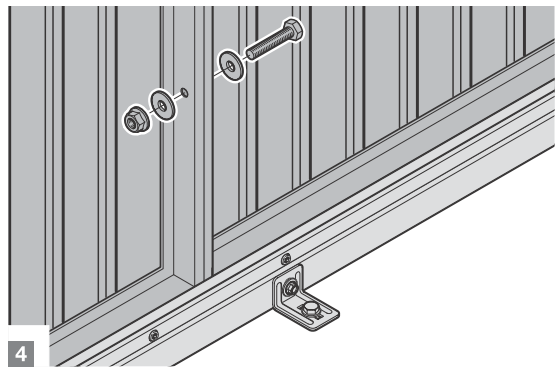
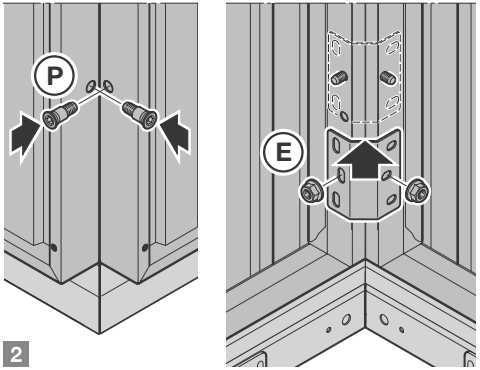
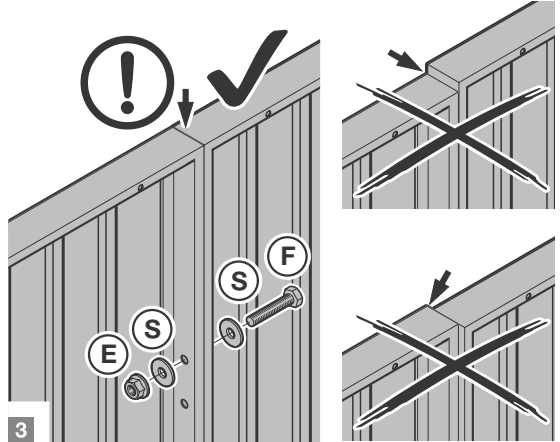
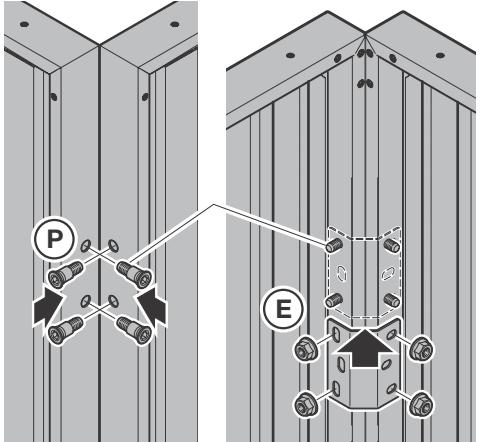
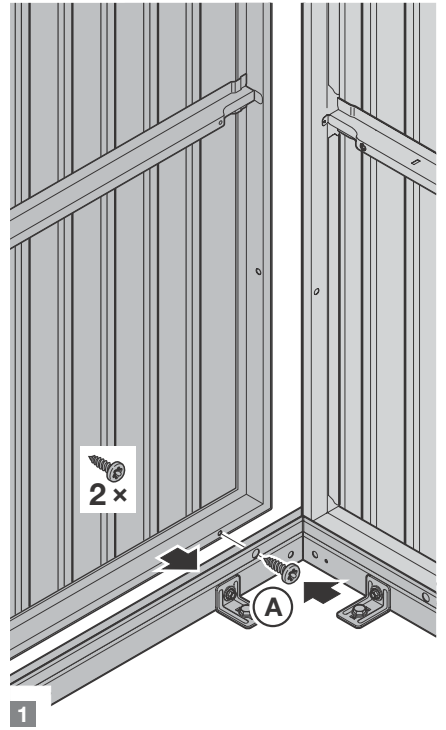
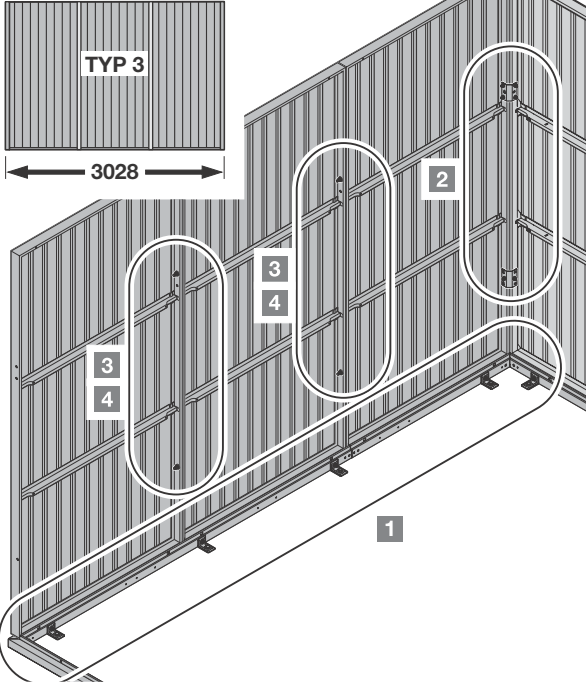
2.1



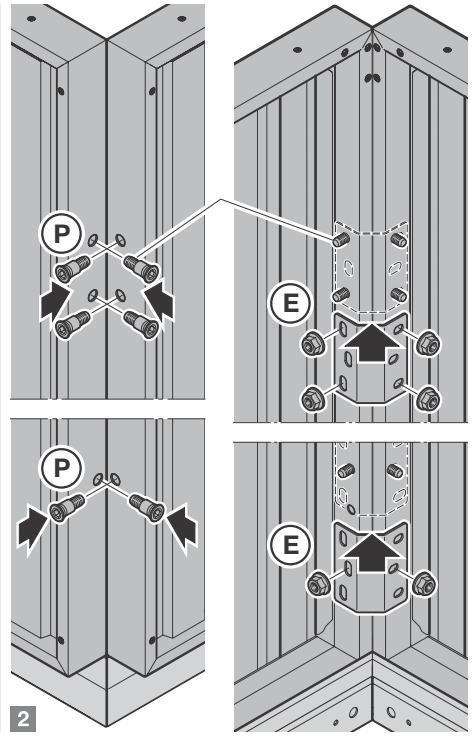
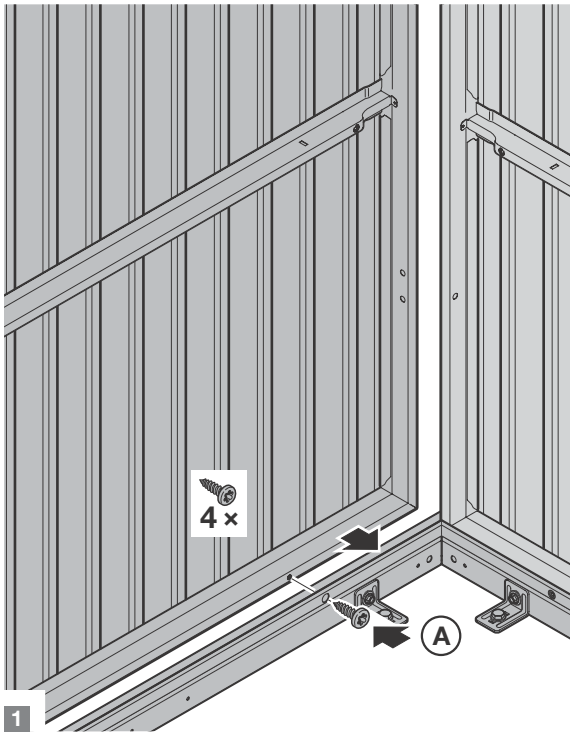
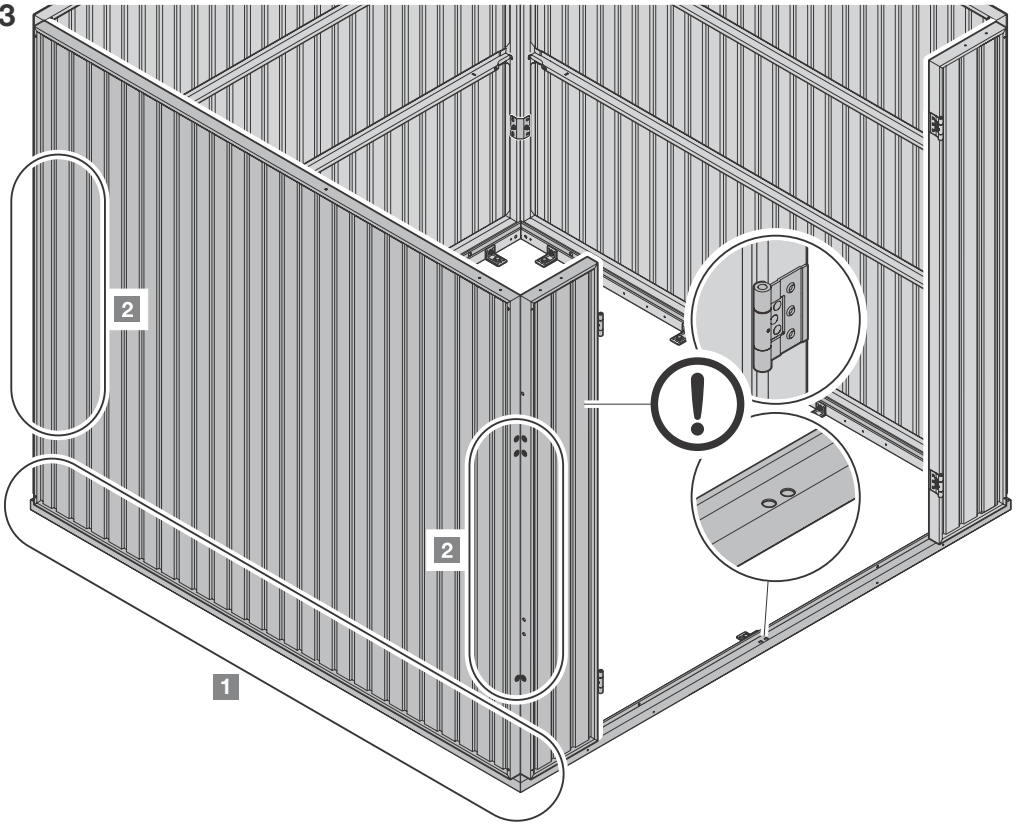
2.2a



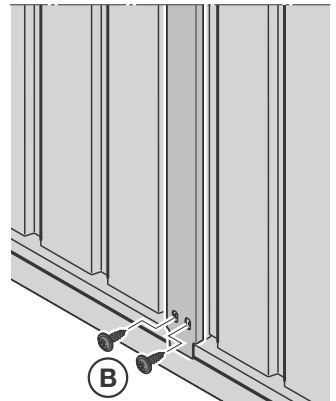
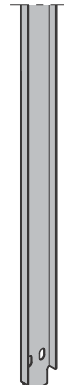
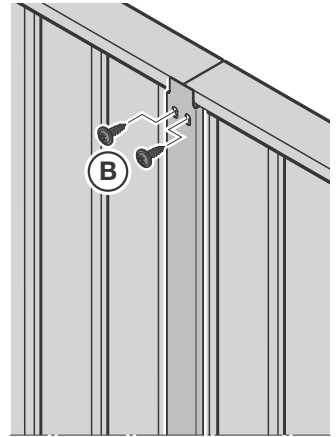
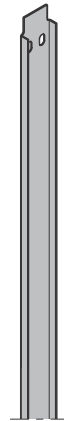
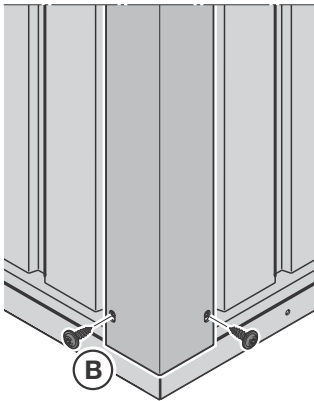
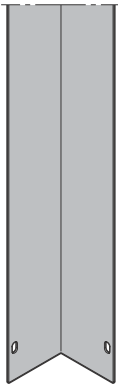
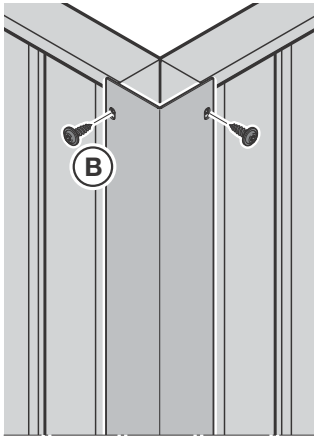
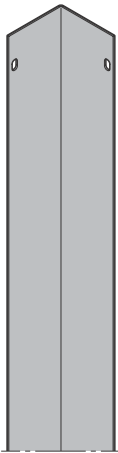
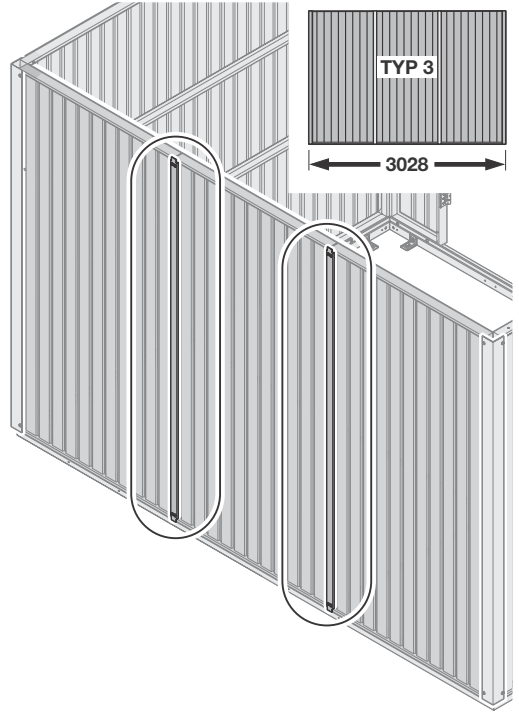
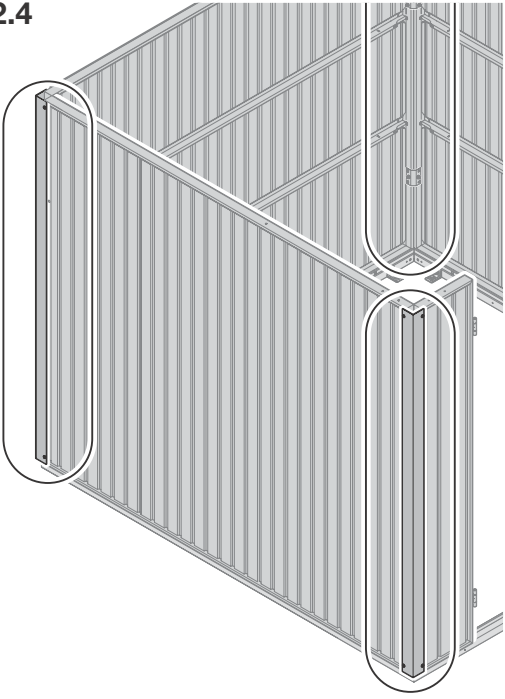
2.2b

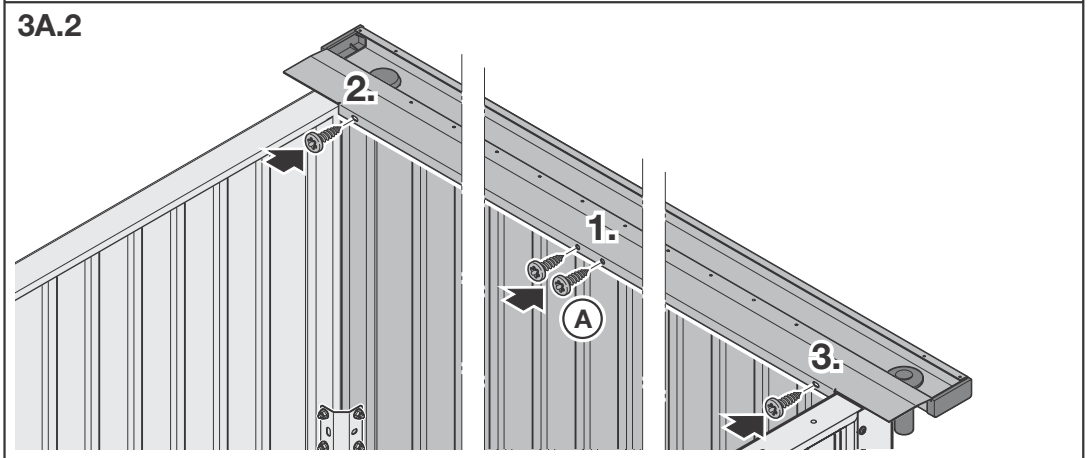
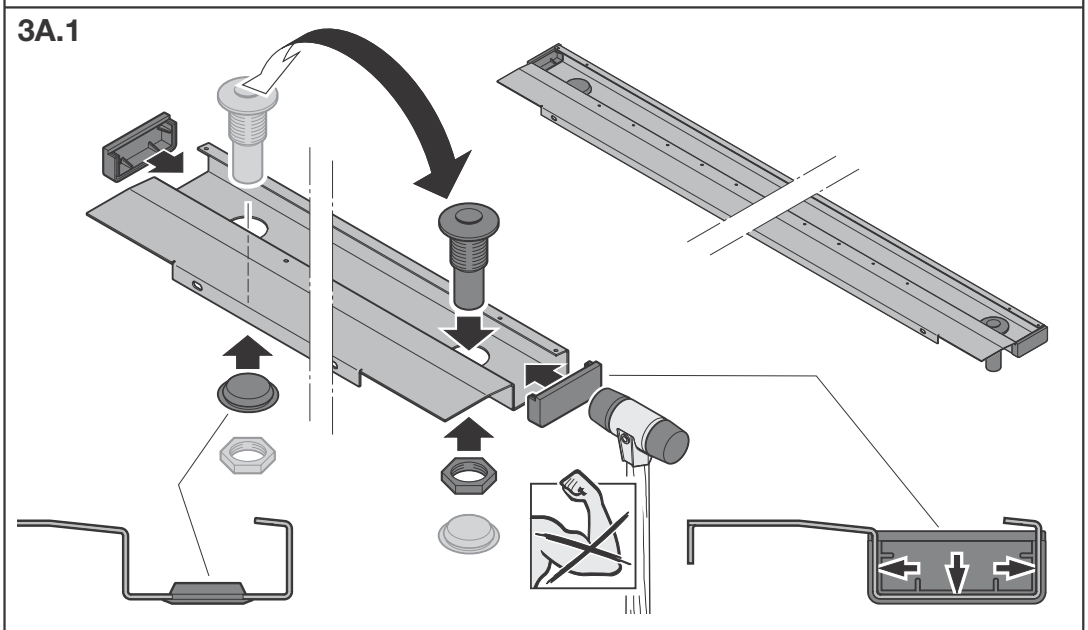
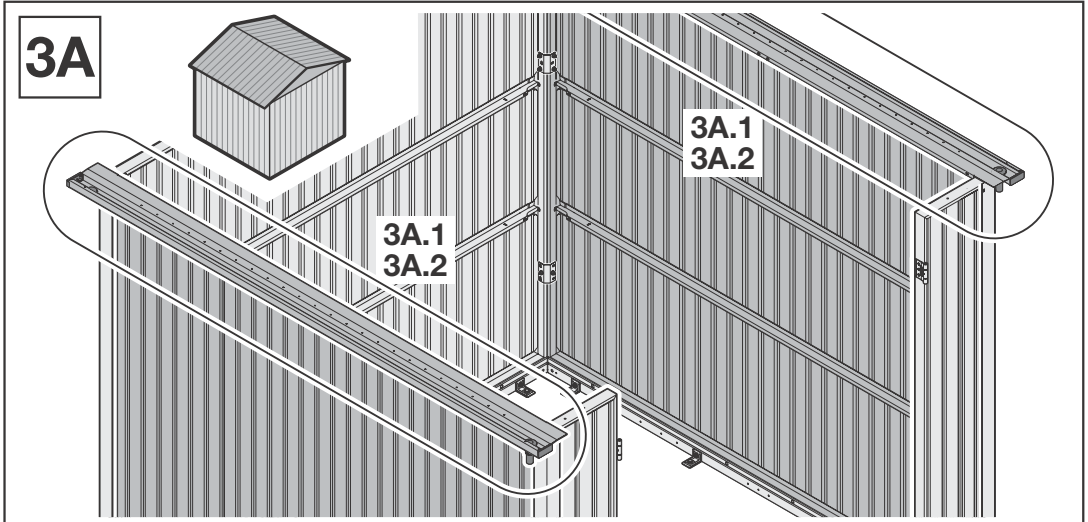


2.3

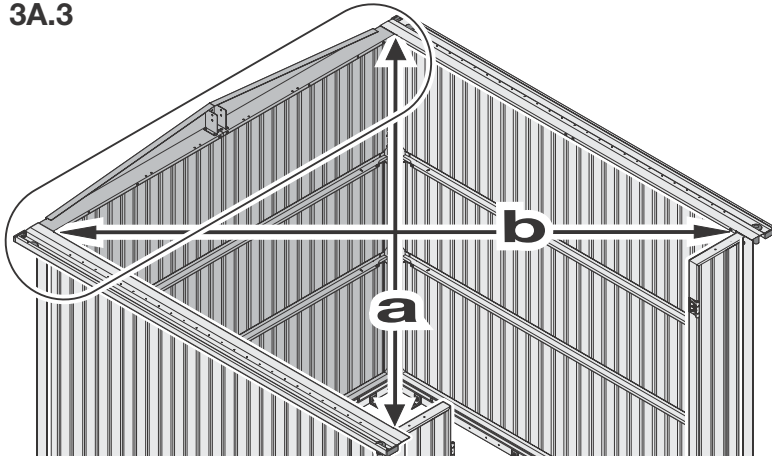


2.4

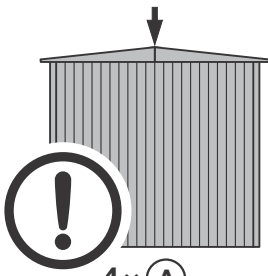
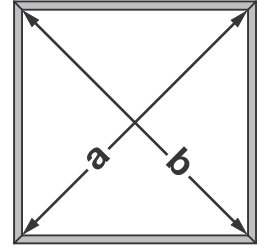




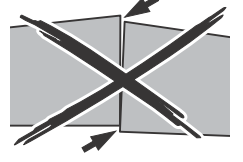
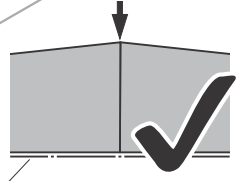
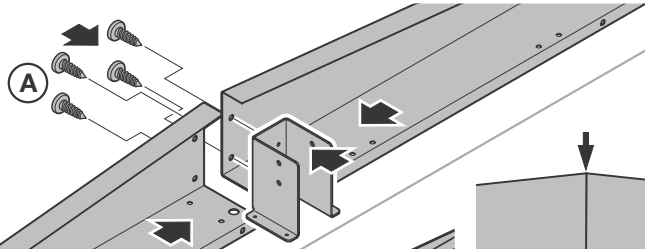
3A.3



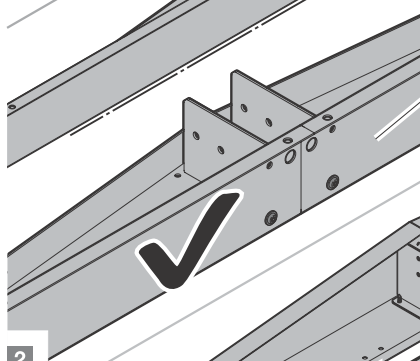
$a = b$



4 x (A)
2 x (B)

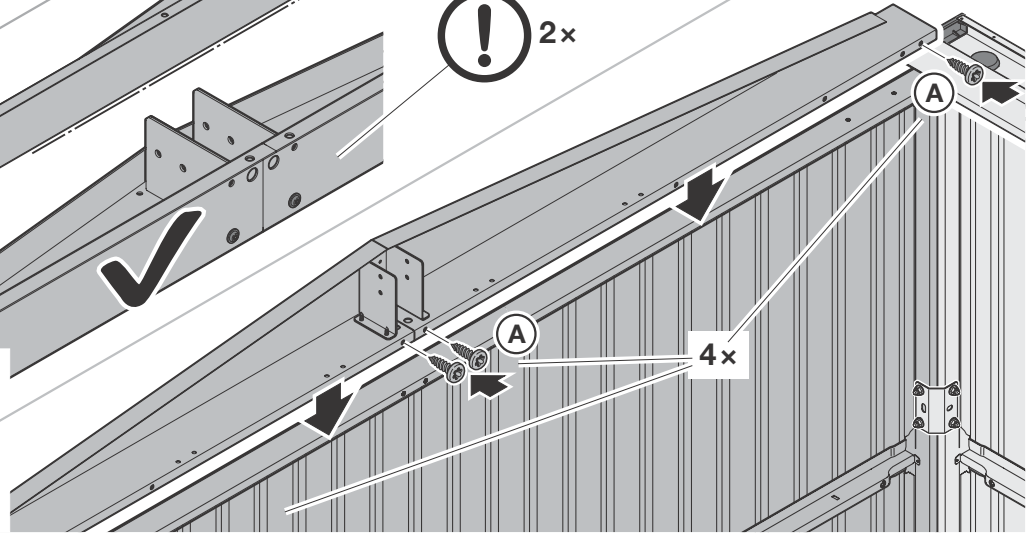


2x



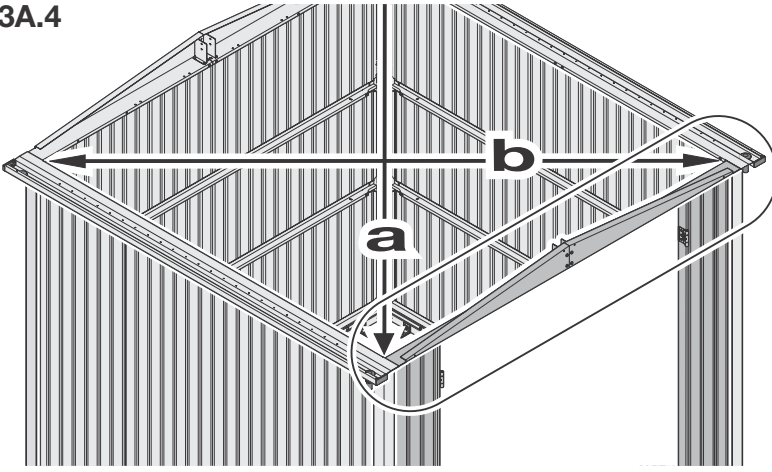
2

3

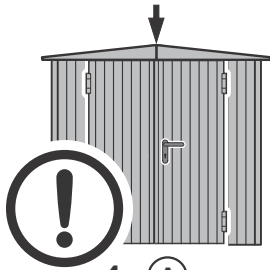
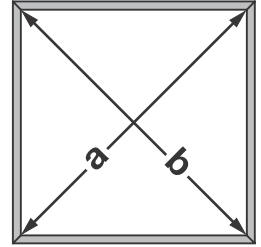


4x

3A.4

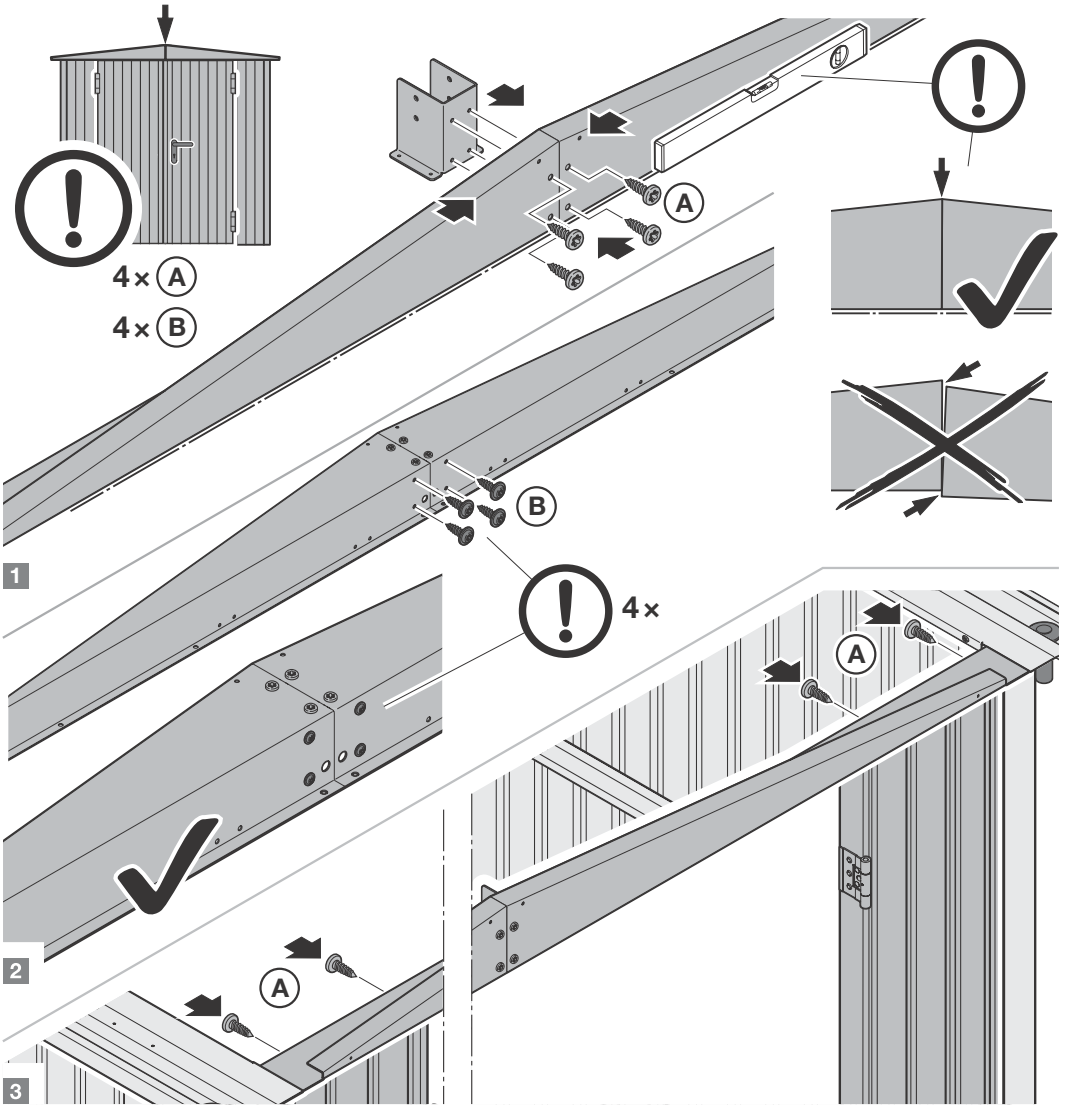


$a = b$

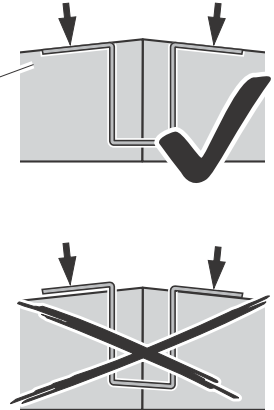
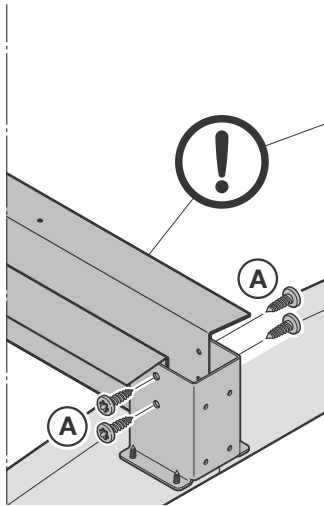
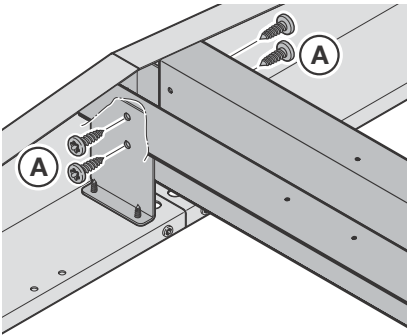
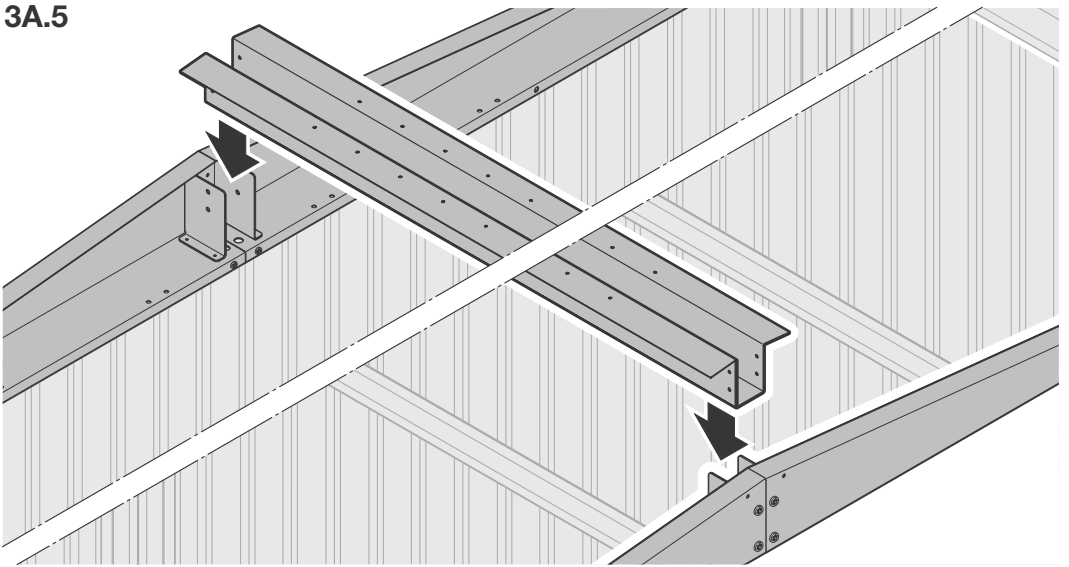


4x (A)

4x (B)



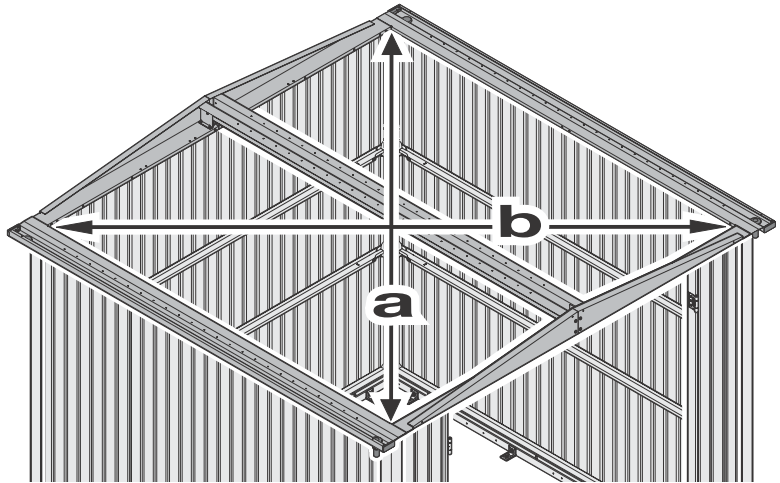
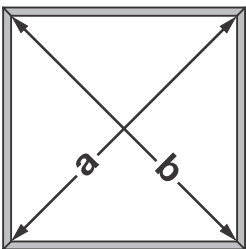
3A.5



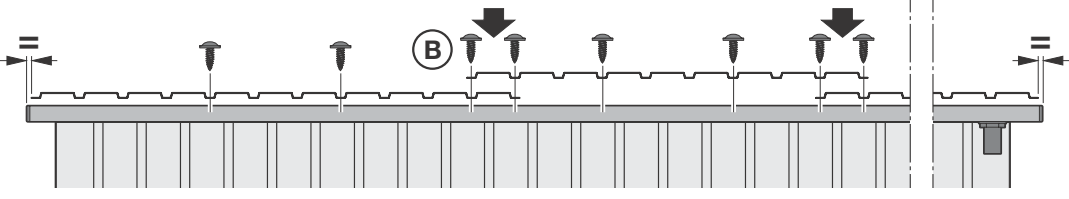
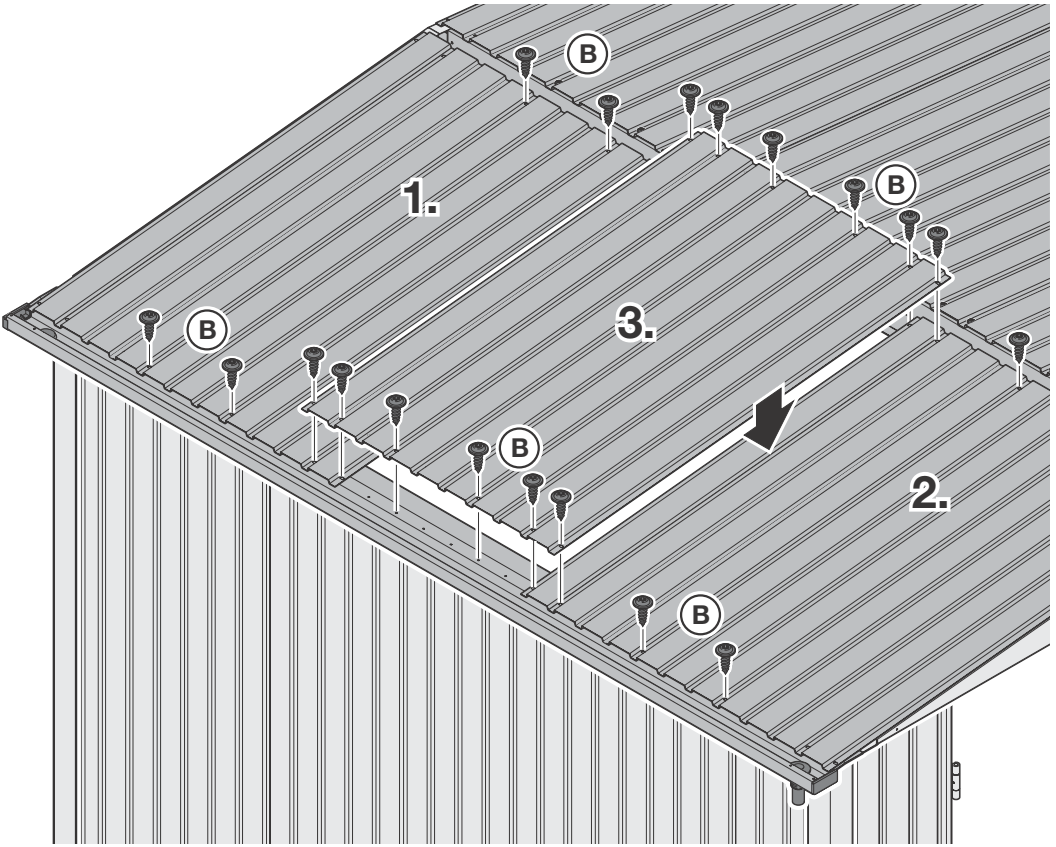
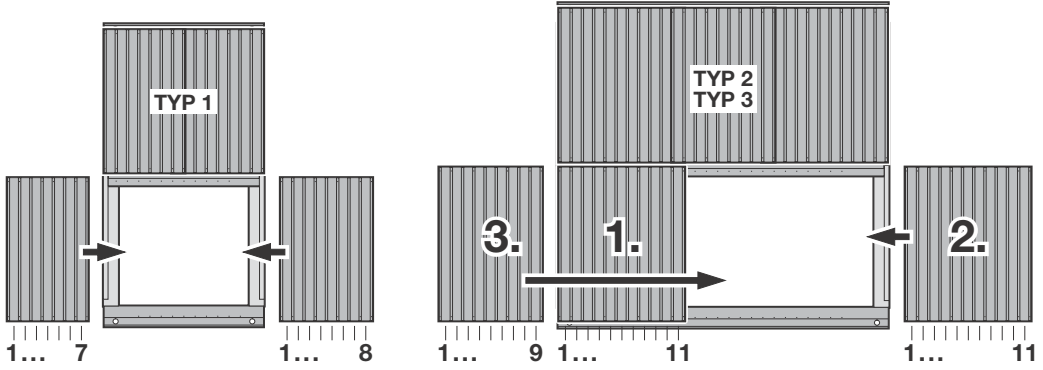
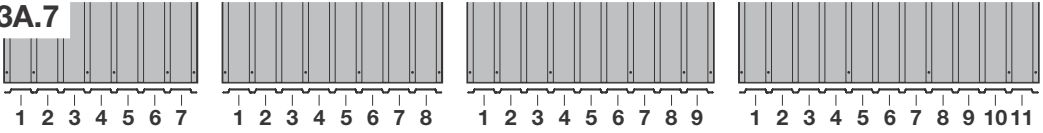
3A.6



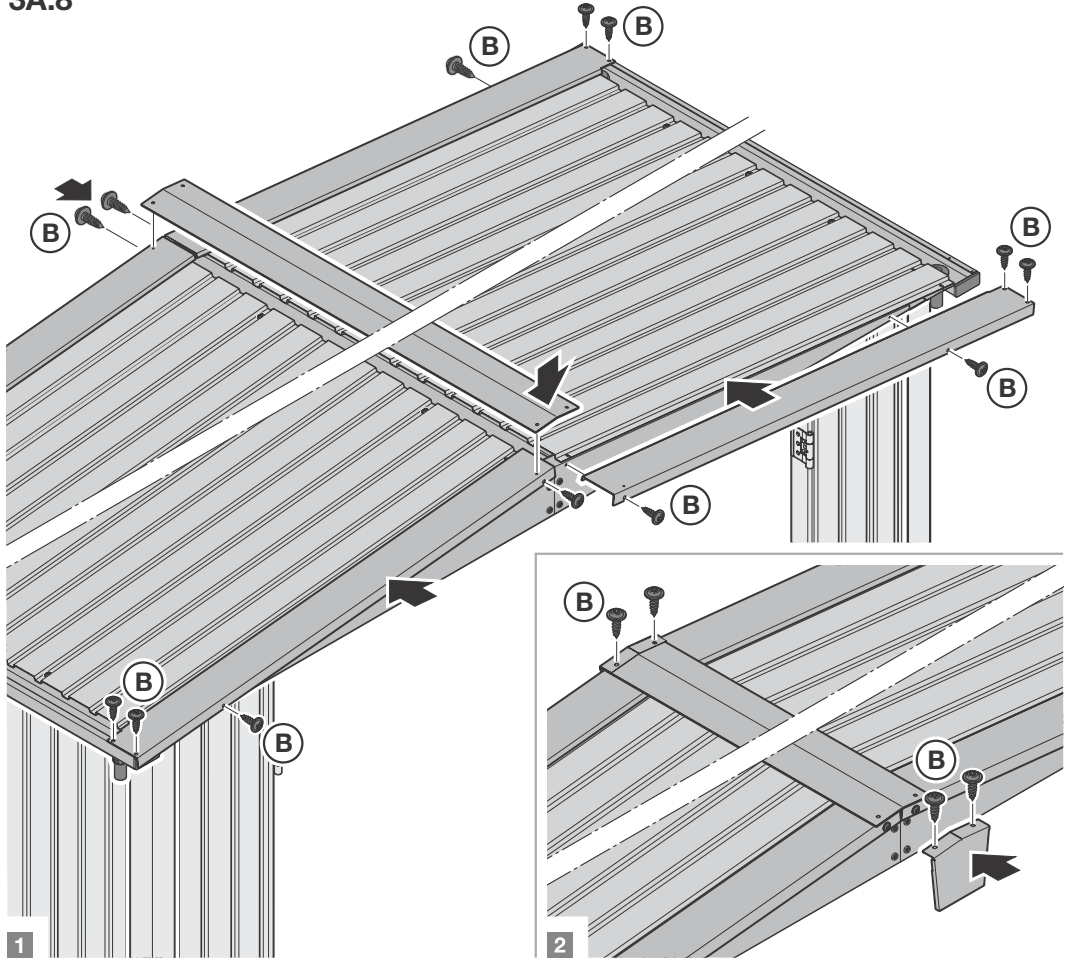
$a = b$



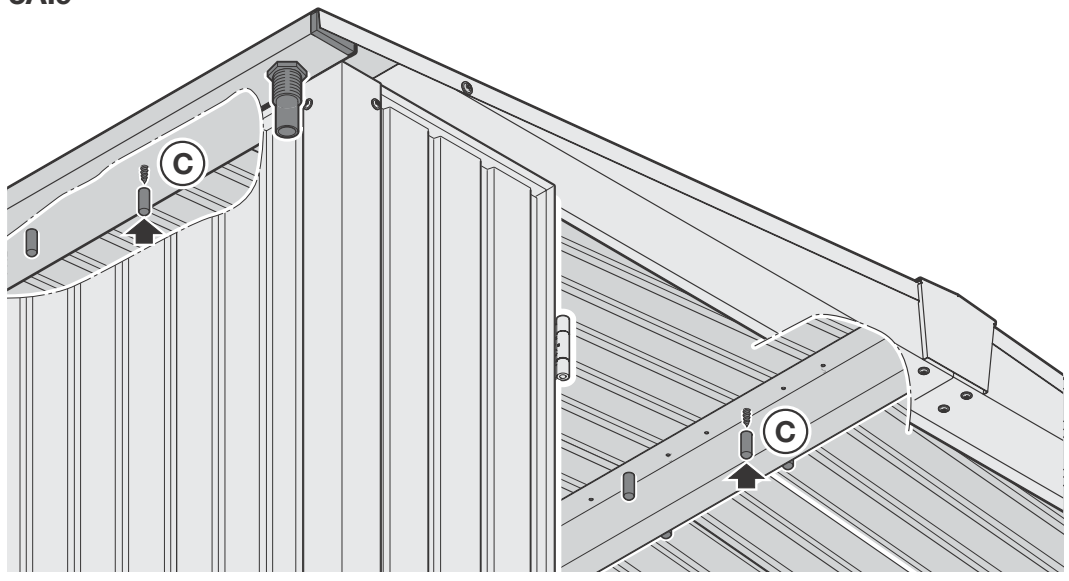
3A.7



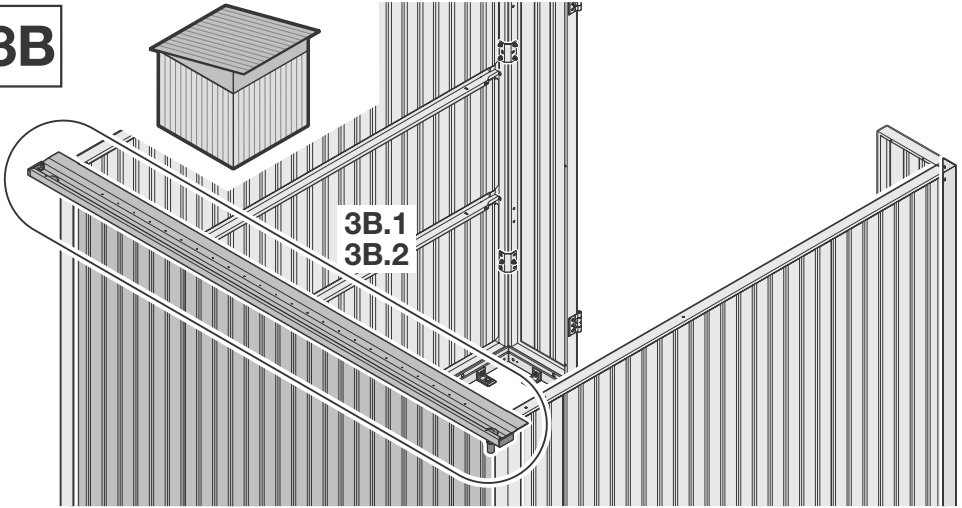
3A.8



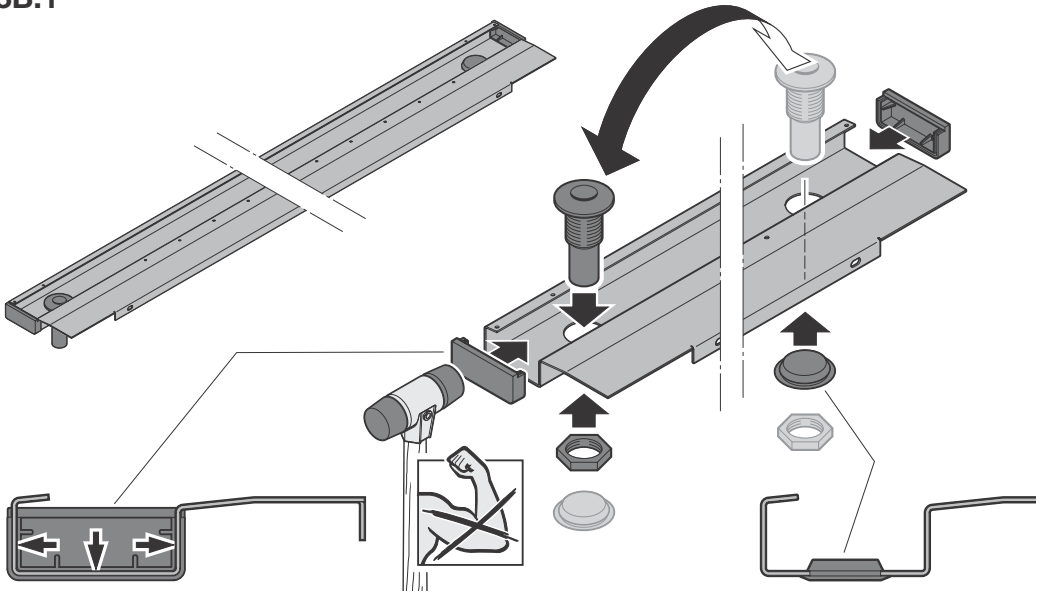
3A.9



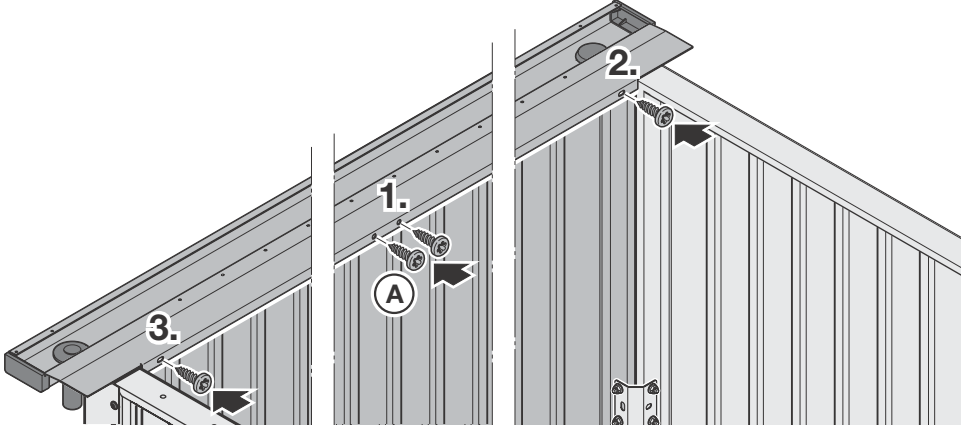
3B

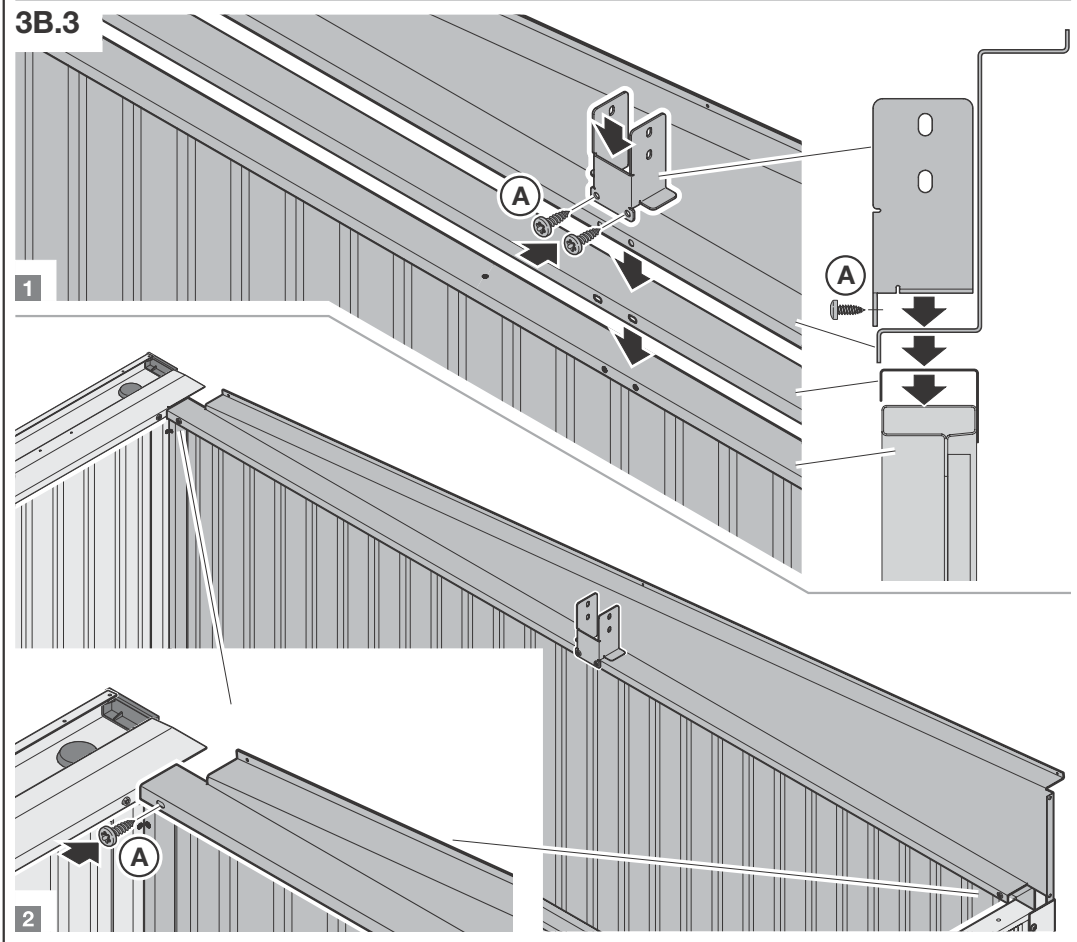
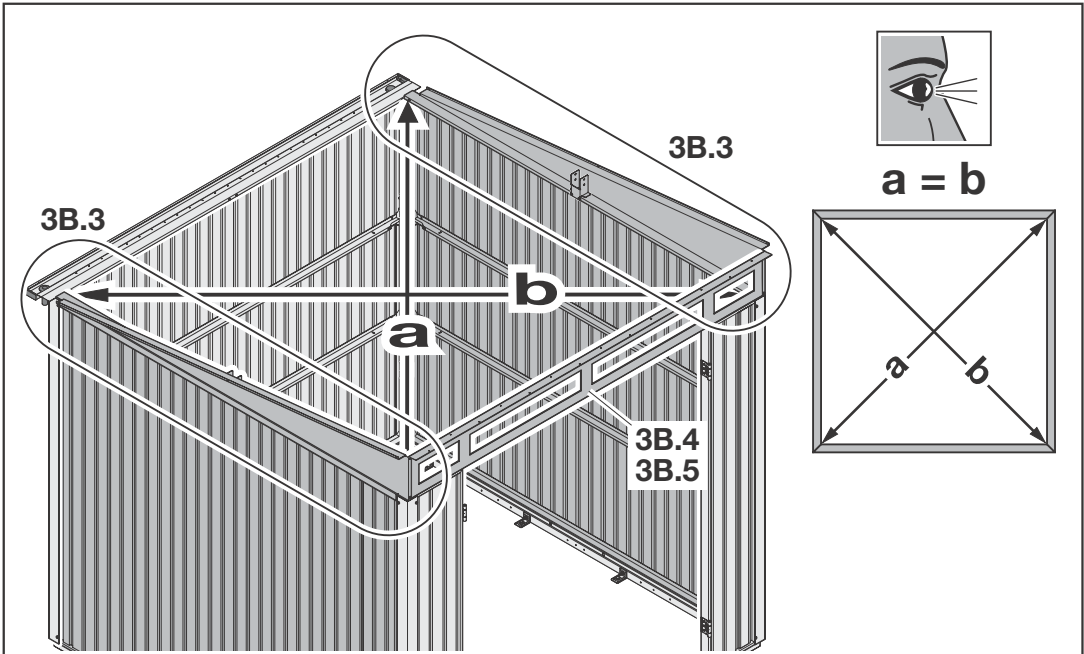


3B.1

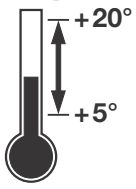


3B.2

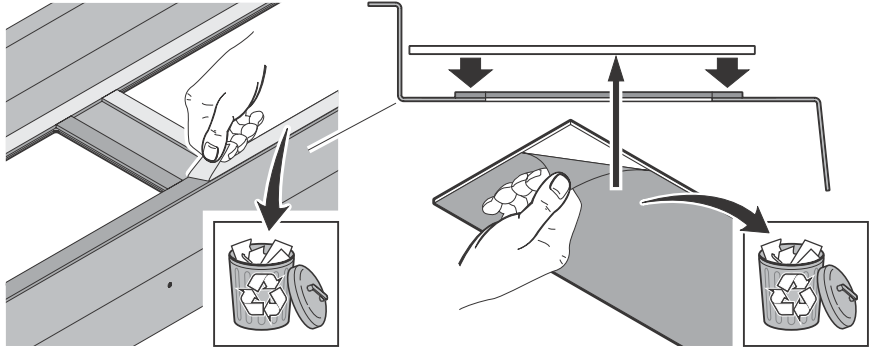




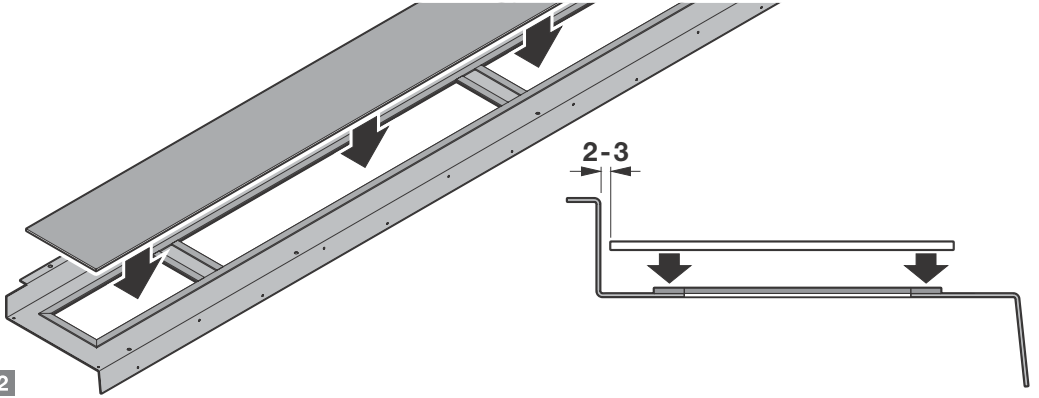
3B.4



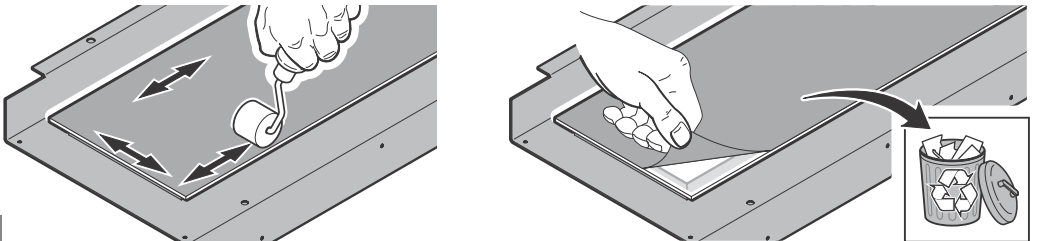
1



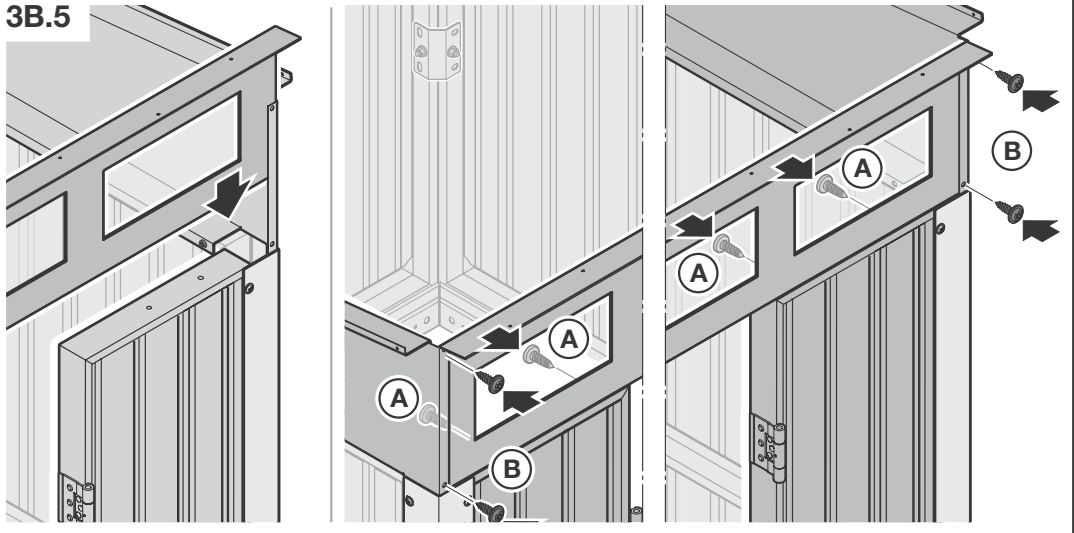
2



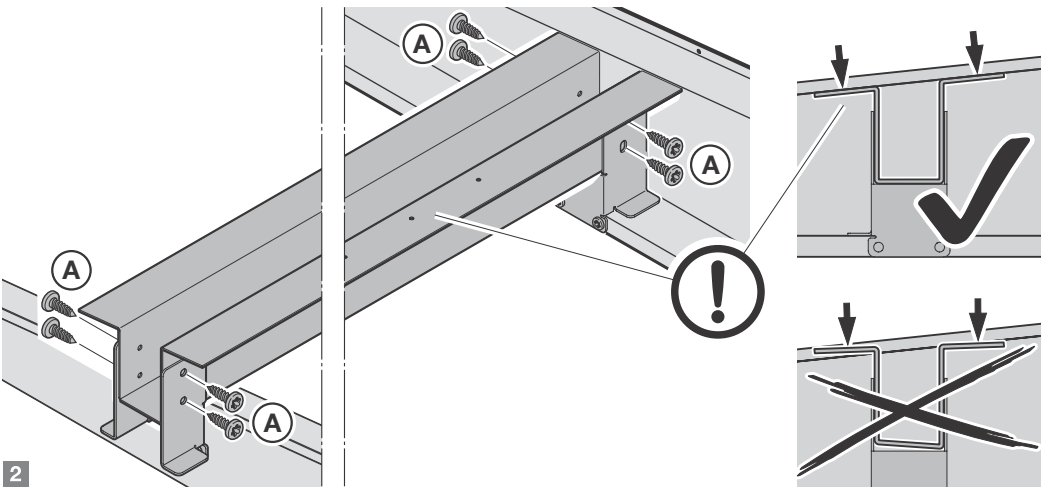
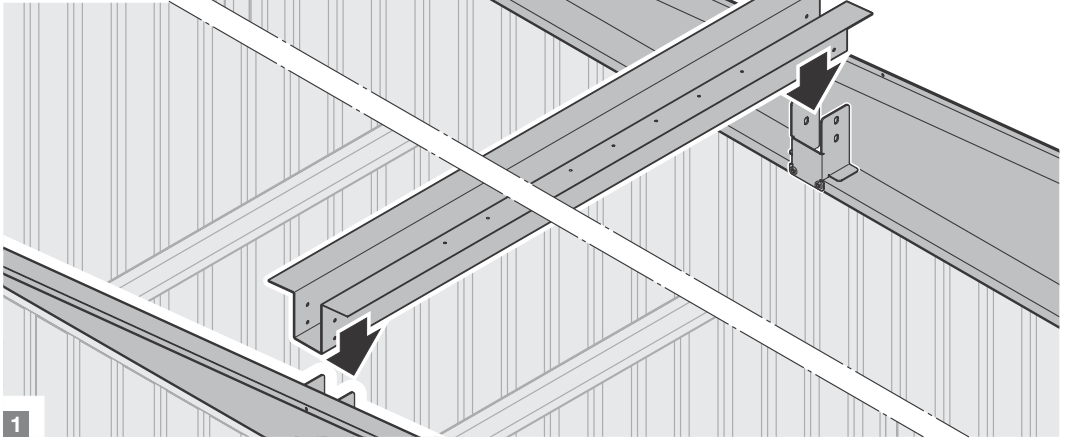
3



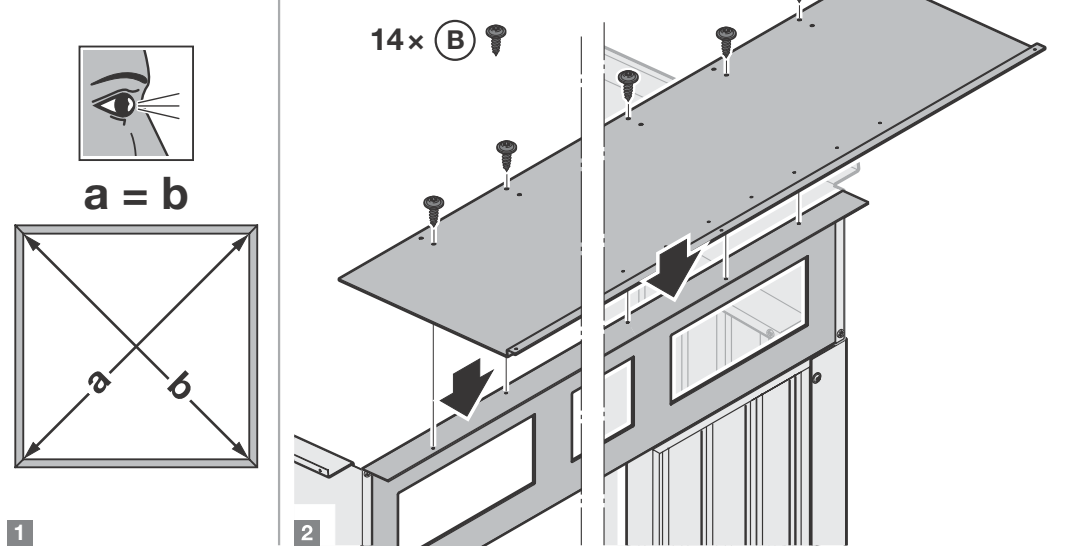
3B.5



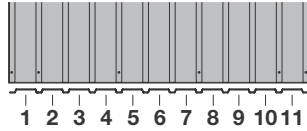
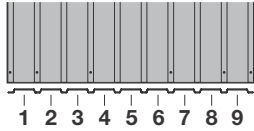
3B.6



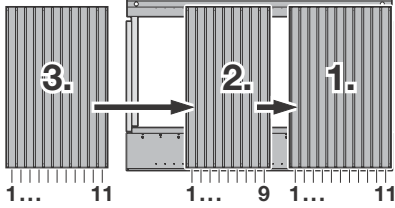
3B.7



3B.8

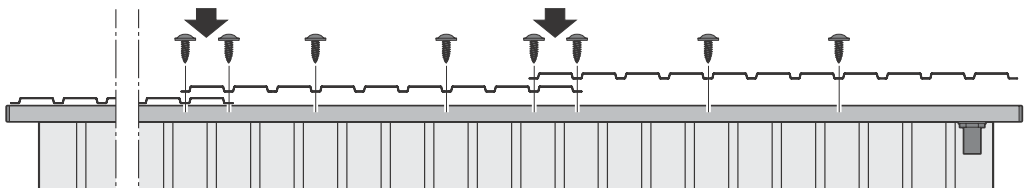
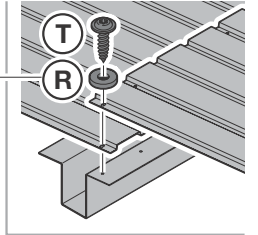
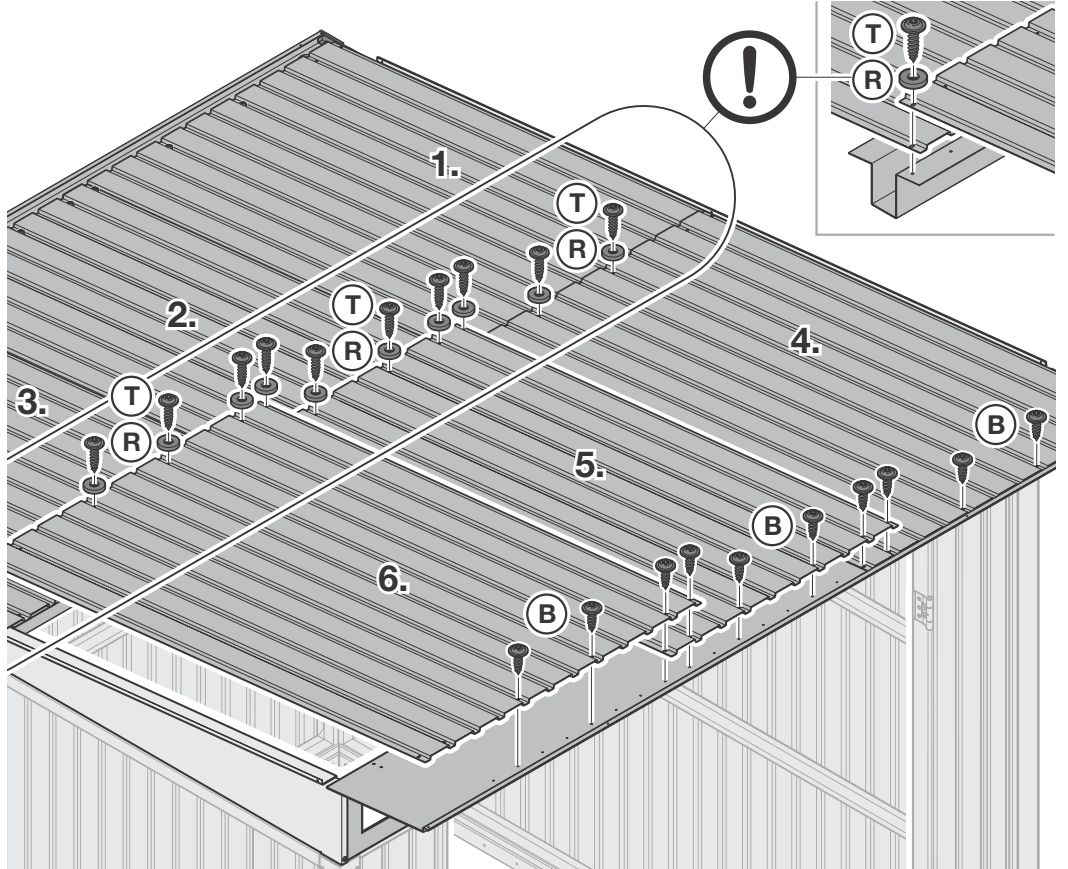
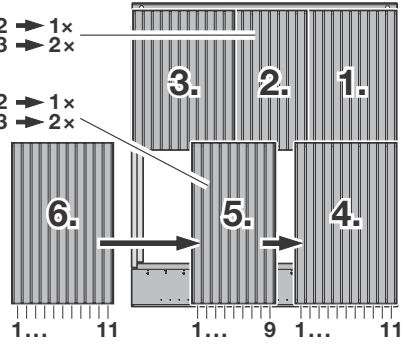


TYP 1

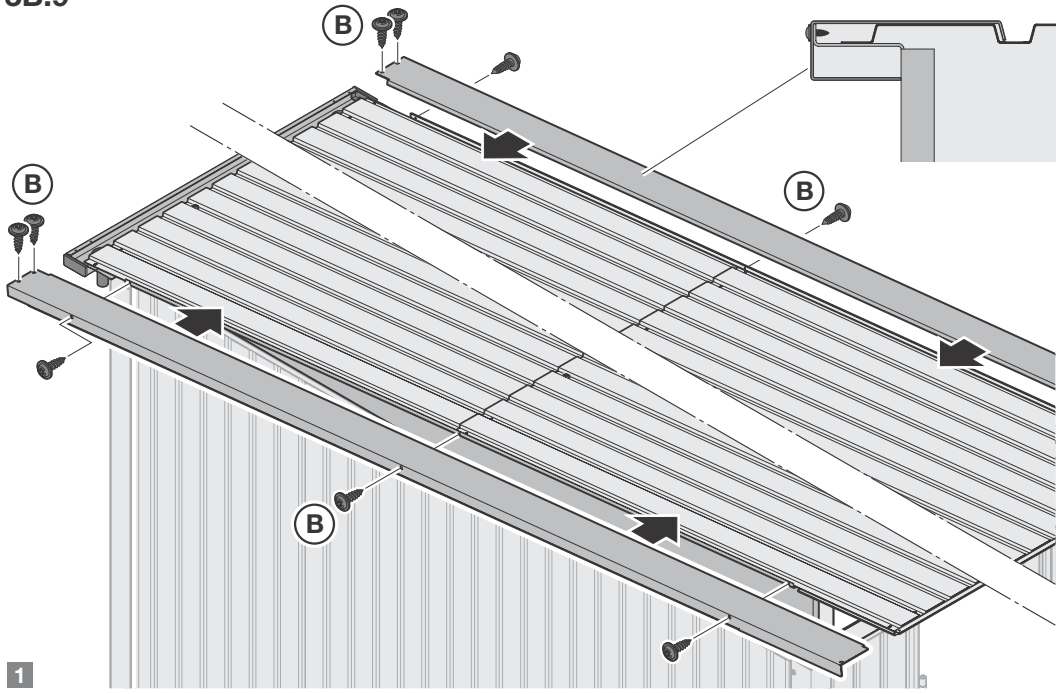


TYP 2 → 1x
TYP 3 → 2x

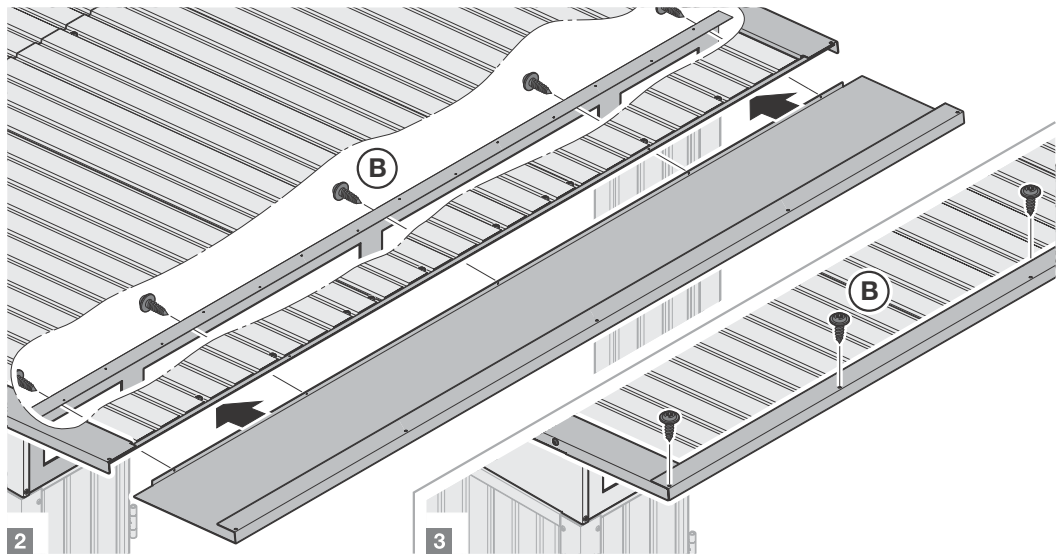
TYP 2 → 1x
TYP 3 → 2x



3B.9



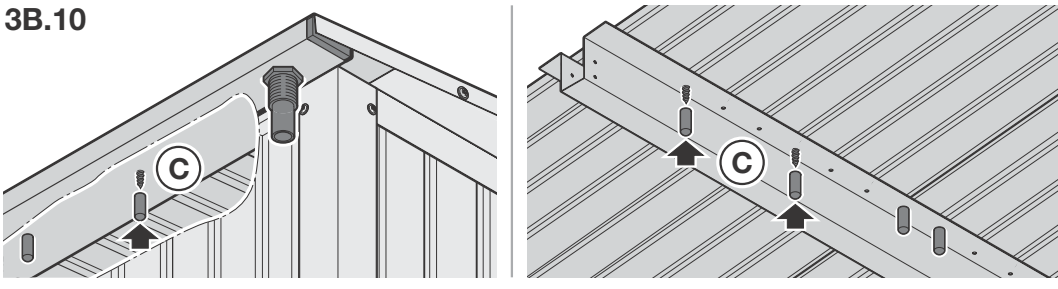
1

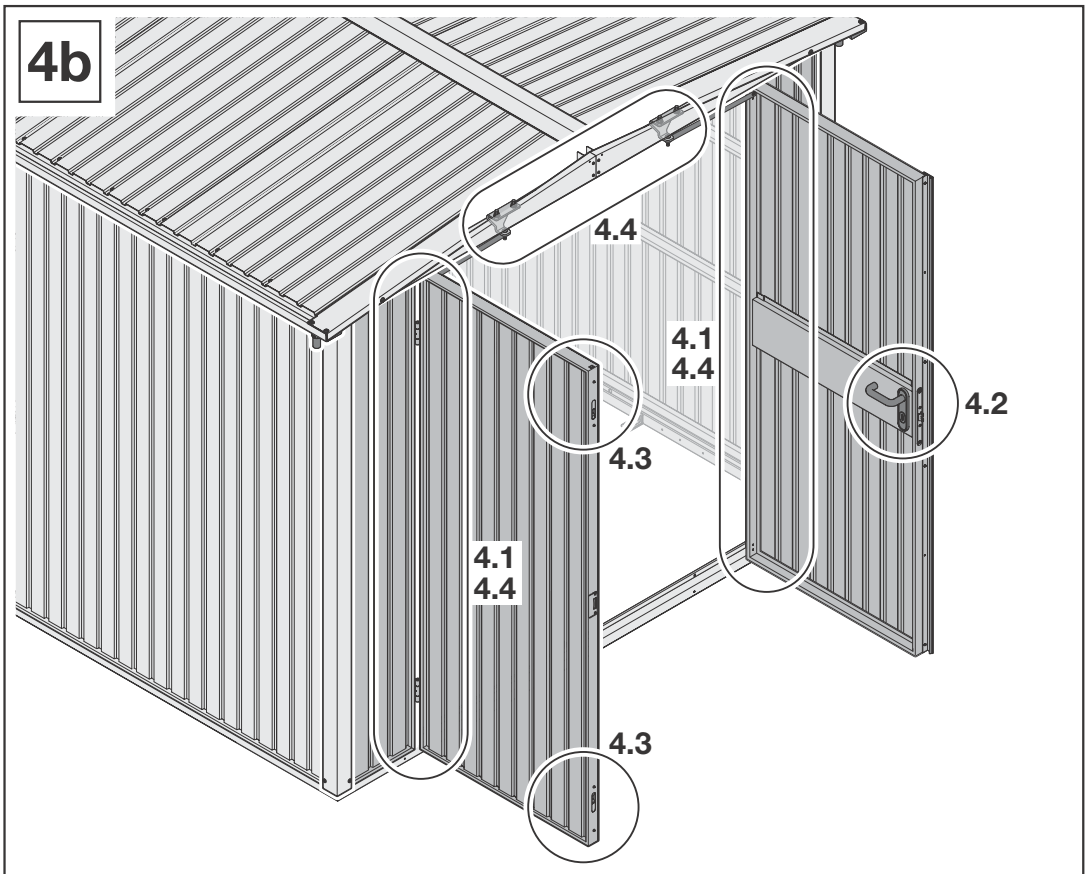
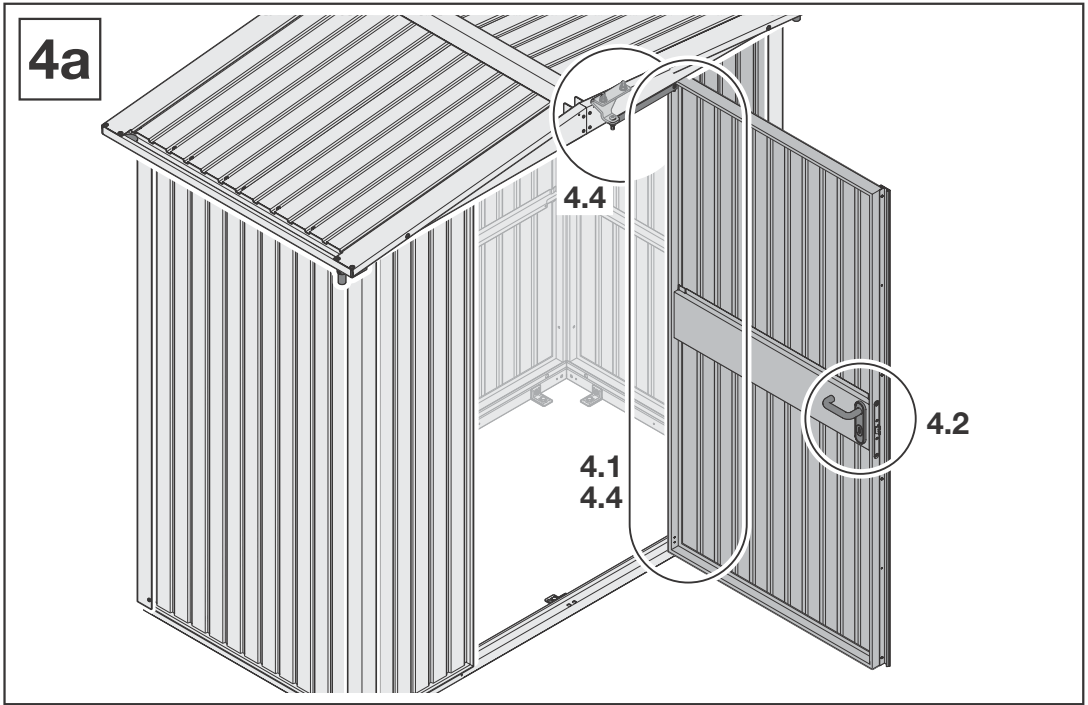


2

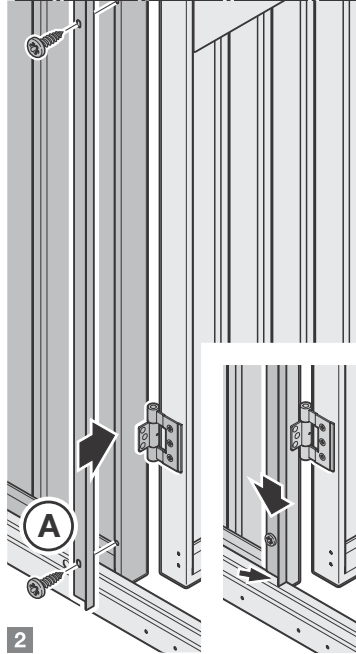
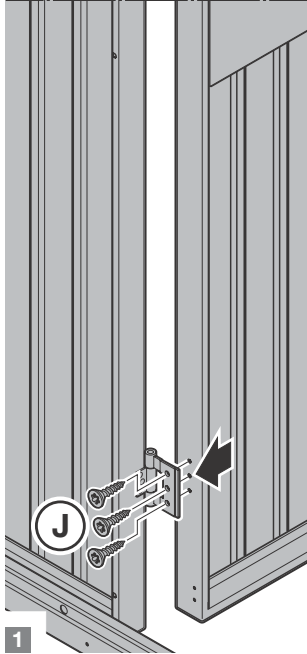
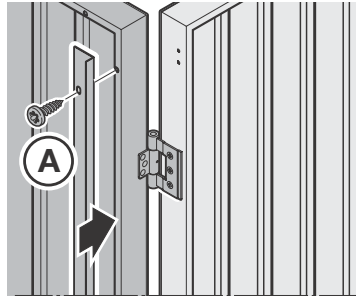
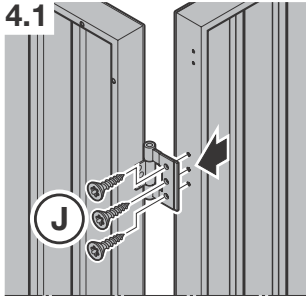
3

3B.10



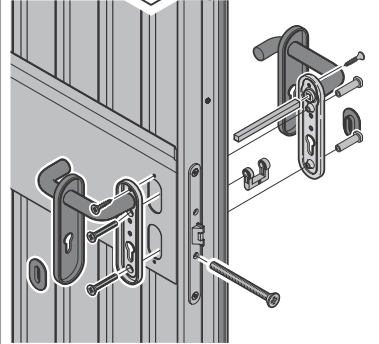


4.1

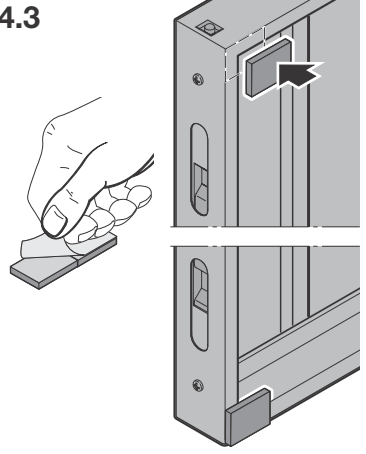


4.2

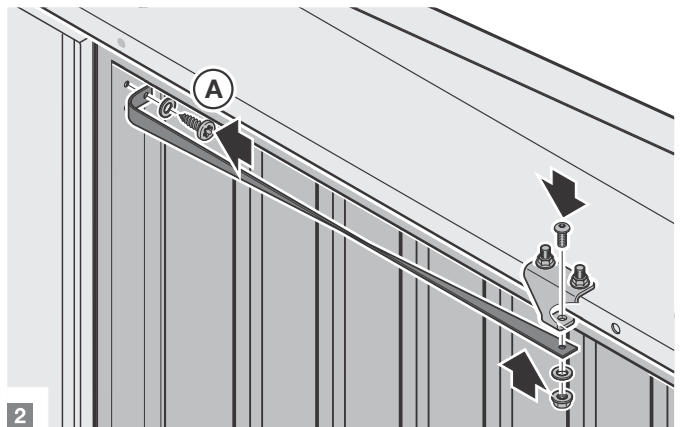
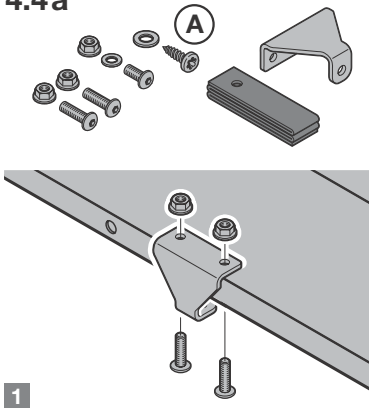
1327 100



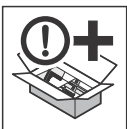
4.3



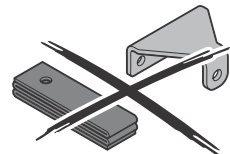
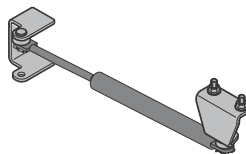
4.4a



4.4b



1342 346



Contact information

Austria



Belgium



Croatia



Denmark



Estonia



Finland



France



Germany



Ireland



Italy



Latvia



Lithuania



Nederland



Norway



Poland



Portugal



Spain



Sweden



Switzerland



UK

