

**DANCOVER<sup>®</sup>**

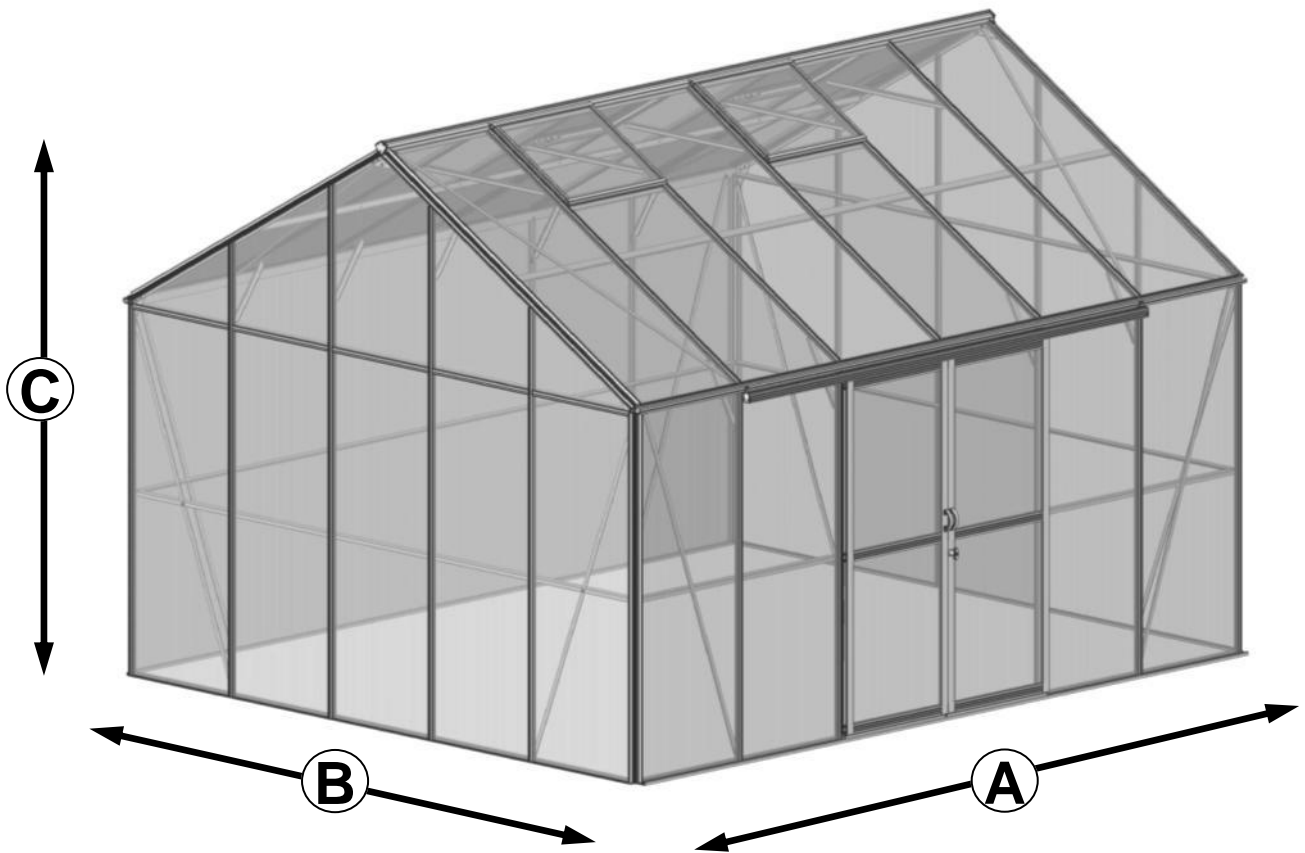
**.com**

Manual  
for  
Greenhouse  
3,73x3,71x3,16m  
and  
4,45x3,71x3,16m

# Greenhouse

## Assembly Instructions

— For Sliding Door



MODEL	A (mm)	B (mm)	C (mm)
GH170070	3729	3707	3056
GH170080	4446	3707	3056

## Walk-in Greenhouse

# Statement

## Dear Customer!

May we congratulate you on buying new Greenhouse.

We feel sure that by following the detailed assembly instructions, you will find as much pleasure in actually building the greenhouse as the many hours you will spend on your greenhouse in the future. The assembly instructions are a combination of text and illustrations and no technical knowledge is required for the erection of the greenhouse. The frames are numbered and packed separately corresponding to the succession in the assembly instructions

Assemble one section at a time. However, bolts and various fittings for all sections will be found in pack of instructions.

Each pack is specified in the list of components. All detailed illustrations are marked with a symbol.

## Guarantee

We grant a comprehensive guarantee that covers replacement or repairs of defective parts due to material or manufacturing fault. The guarantee does not cover transport, assembly, freight etc. Glass is not covered by the guarantee. The guarantee is invalid if the greenhouse is not assembled according to these instructions.

## Winter Protection

Our greenhouse are constructed with frame dimensions up to 50% stronger than most of the competing products. We still recommend you to protect your greenhouse during the winter.

- Supporting the roof ridge at the centre of the greenhouse.
- Removing greater snow loads.
- Taking precautions against snow falling down from, for instance a roof .
- Preventing the wind from damage the greenhouse door and windows .

## Foundation

The base is maintenance free and, of course, all fittings are included. Remember to order concrete pipes and concrete at you local dealer, as these are not included in the delivery.

## Maintenance

- Grease doors, hinges and door track
  - Clean the gutter for leaves etc
  - Adjustment of windows
  - Replacement of broken glass
  - Clean the greenhouse with disinfectant before and after the growing season
- Complaints

We put severe demands on quality to secure that you get faultless products.

However, should a complaint occur, we kindly ask you to contact the dealer, from whom you have bought the greenhouse, To secure a quick service you should specify the extent of the defect by means of the list components in the assembly instructions.

# Cautions



Please put on gloves avoid of slitting your hands.



Avoid of crashing the material, results in un-shapes, it is not fits in fixture.

## Tips

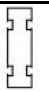
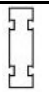







- The base has to be fastened in a non-freezing depth <80cm>.
- The greenhouse is to be fastened to the base.
- The base has to be 100% level and square. The easiest way to ensure this is that the two diagonal measurements are identical.
- We recommend greasing the screws for the doors for an easier assembly.
- Glazing should only be carried out in fairly calm weather.
- Make sure that the greenhouse is square before starting to glaze.
- We recommend the frames to be degreased with acetone before glazing.
- We recommend using working gloves while glazing.
- An assistant make the job easier.

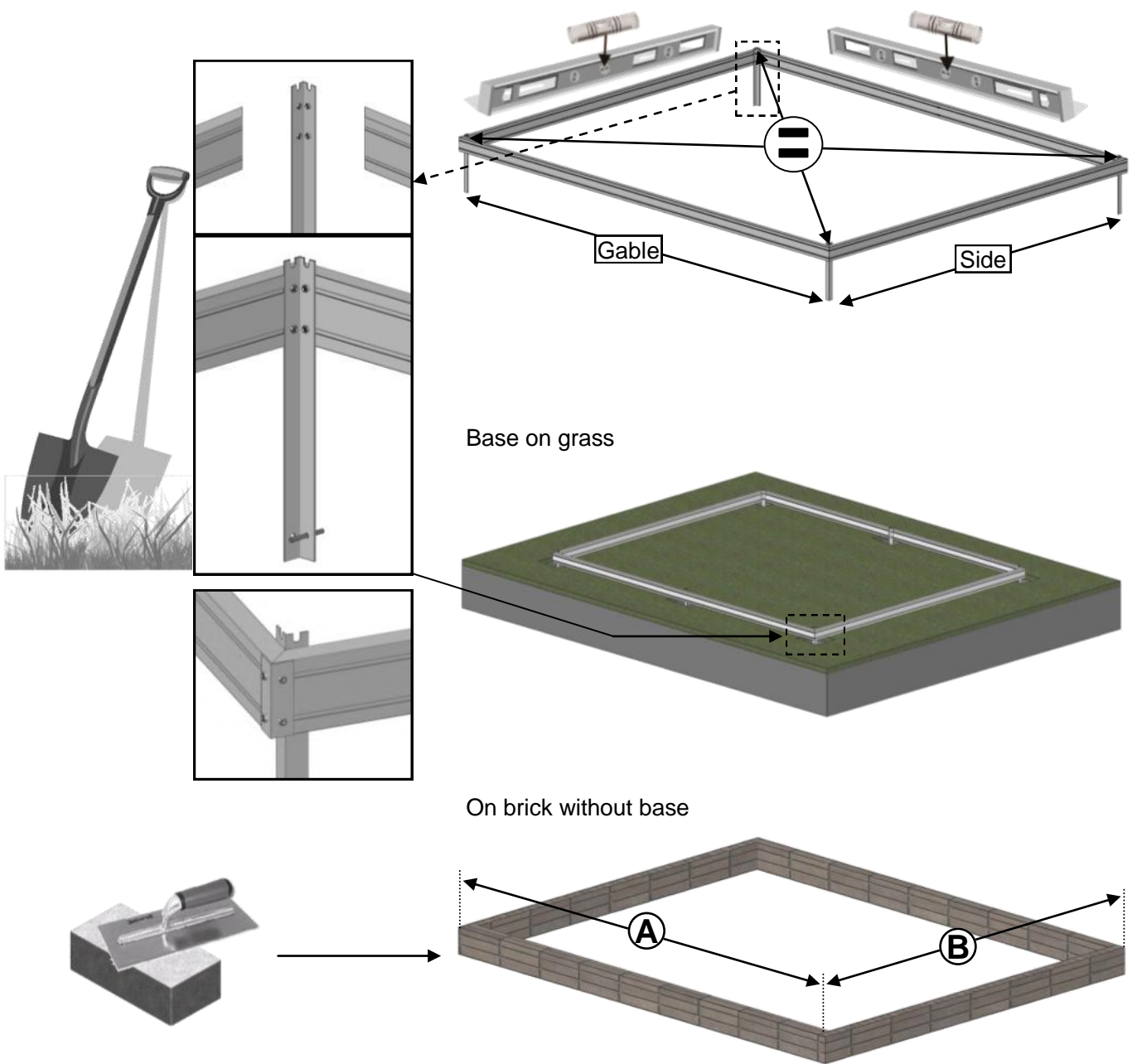
## Tools

The greenhouse is assembled by means of the following tools:

- Spirit level
- Spanner/socket spanner 8 and 10 mm
- Screw driver
- Silicone pistol
- Acetone for degreasing the frames

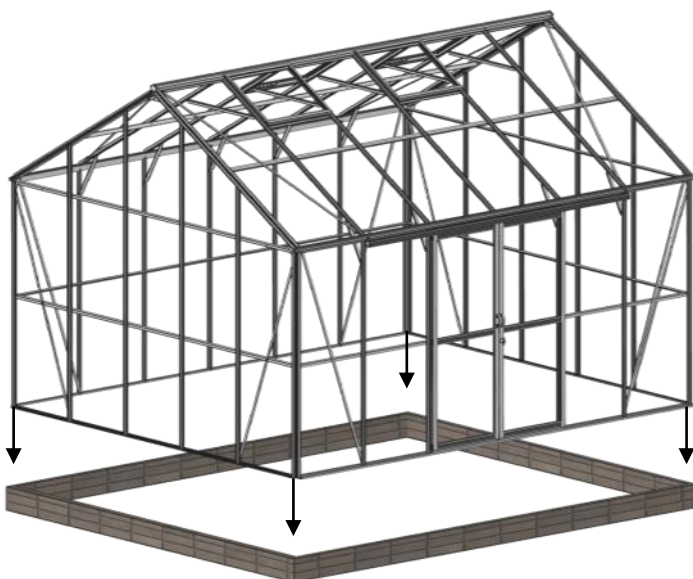
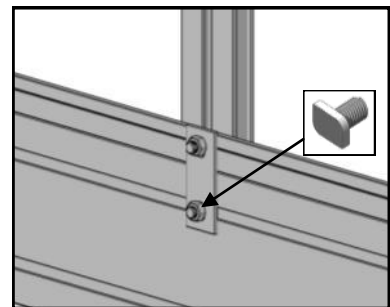
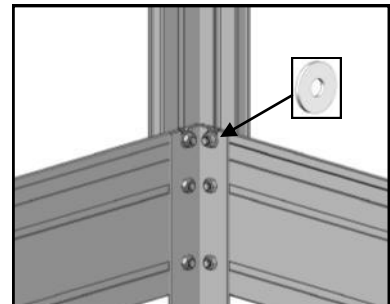
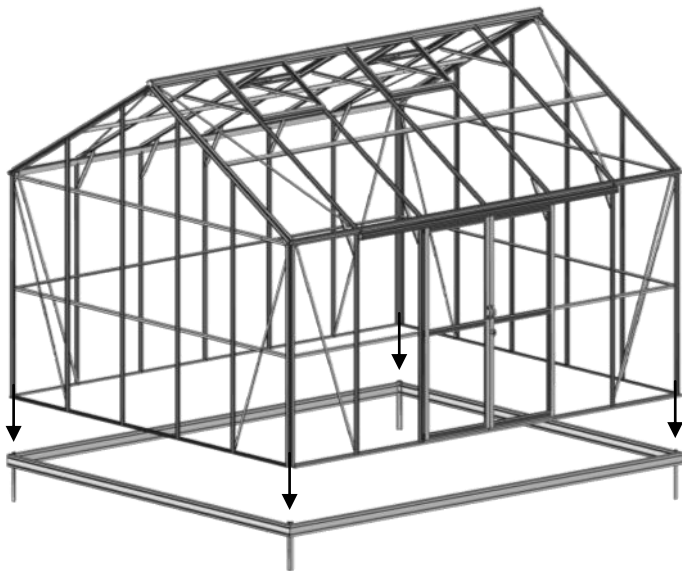
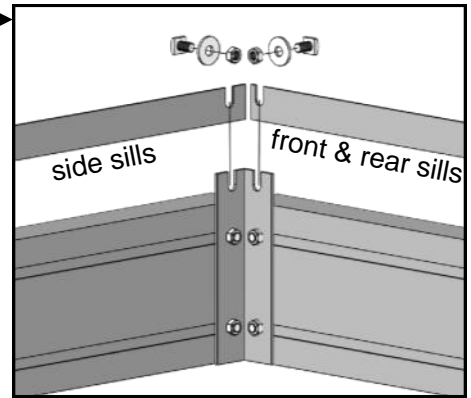
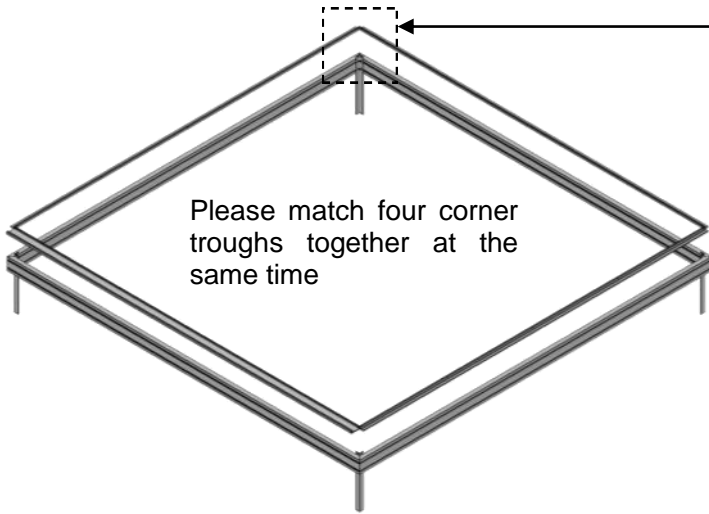
# Base


											
	A(mm)	B(mm)	Gable profiles (mm)	Side profiles (mm)	Anchor legs	Cornerite	Fixing tabs	M6x10	M6	M6x10 Crop	Washer
<b>GH170070</b>	3675	3675	2x3675	2x3675	8	4	16	40	56	16	12
<b>GH170080</b>	3675	4392	2x3675	2x4392	8	4	17	40	57	17	12



# Base

**IMPORTANT** Before assembling aluminium base, the end trough centers of four legs should match both end trough centers of side sills and front & rear sills at the same time.

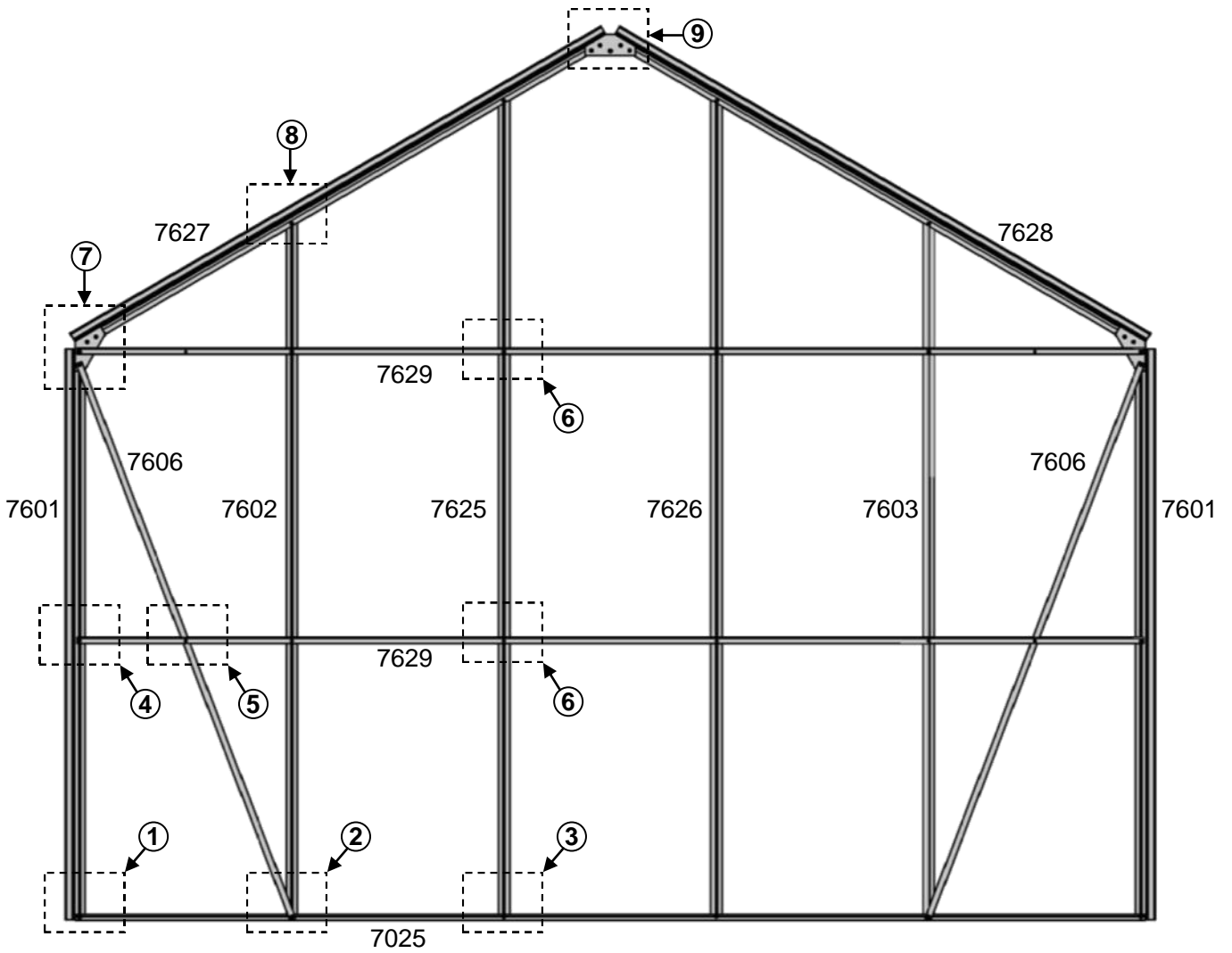


	
#	m5
<b>GH170070</b>	20
<b>GH170080</b>	21

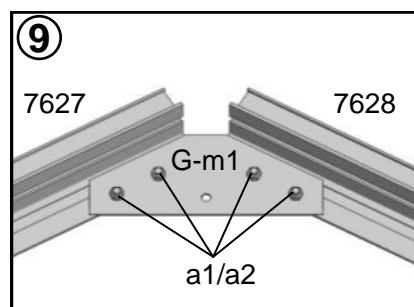
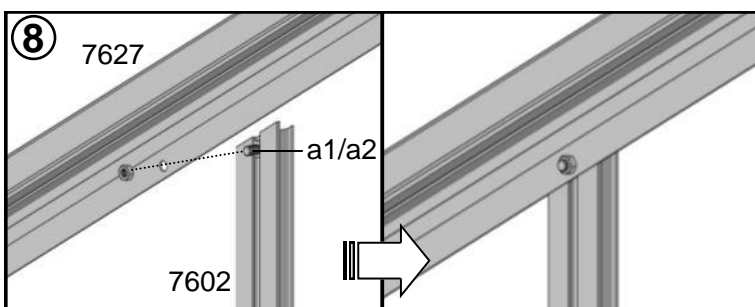
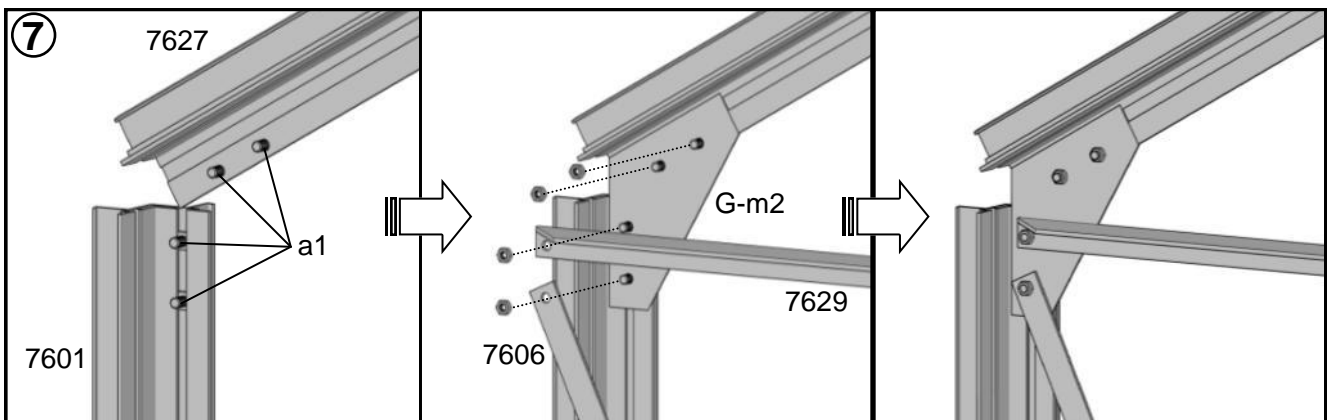
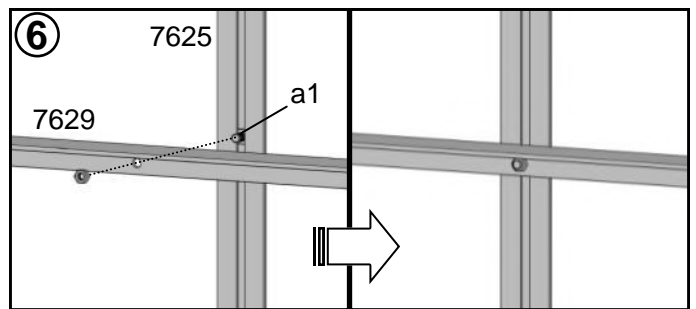
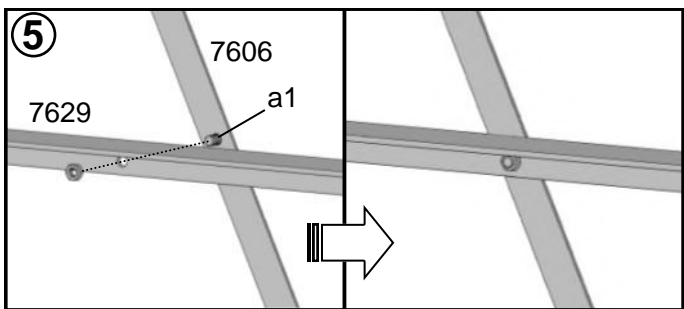
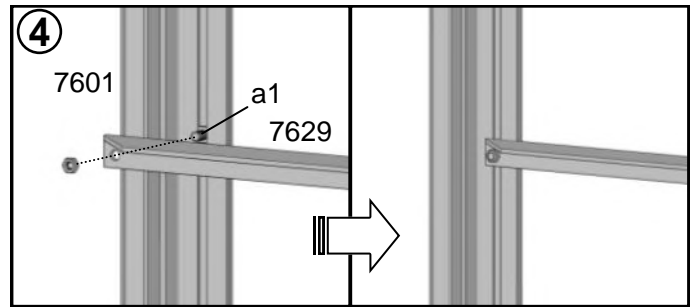
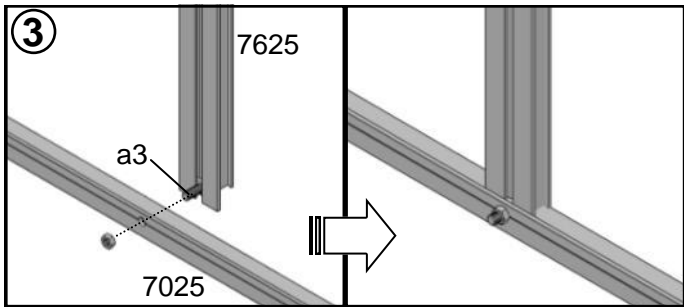
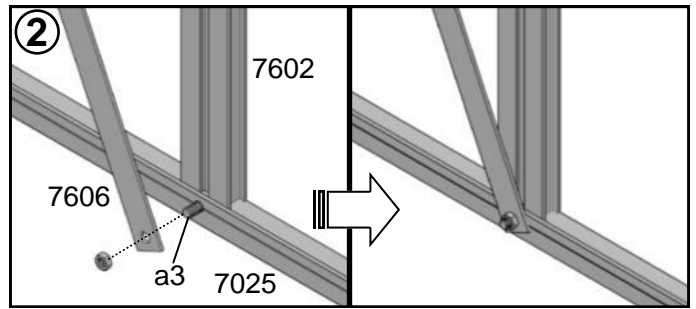
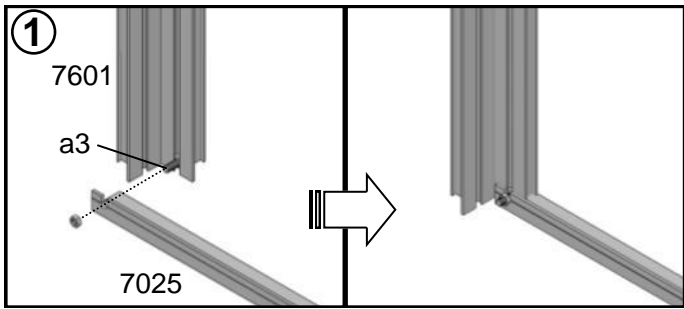
# Gable

#	7601	7602	7603	7625	7626	7025	7629	7627	7628	7606
Size	1922	2365	2365	2779	2779	3613	3601	2070	2070	2008
QTY	2	1	1	1	1	1	2	1	1	2

#	a1	a2	a3	G-m1	G-m2	G-p1	a20
Size	M6x10	M6	M6x15	-	-	-	-
QTY	28	34	6	1	2	1	34



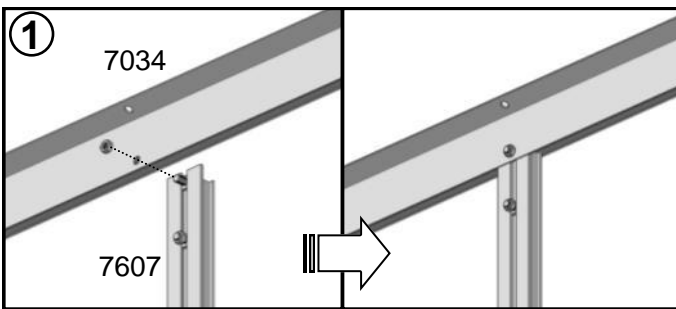
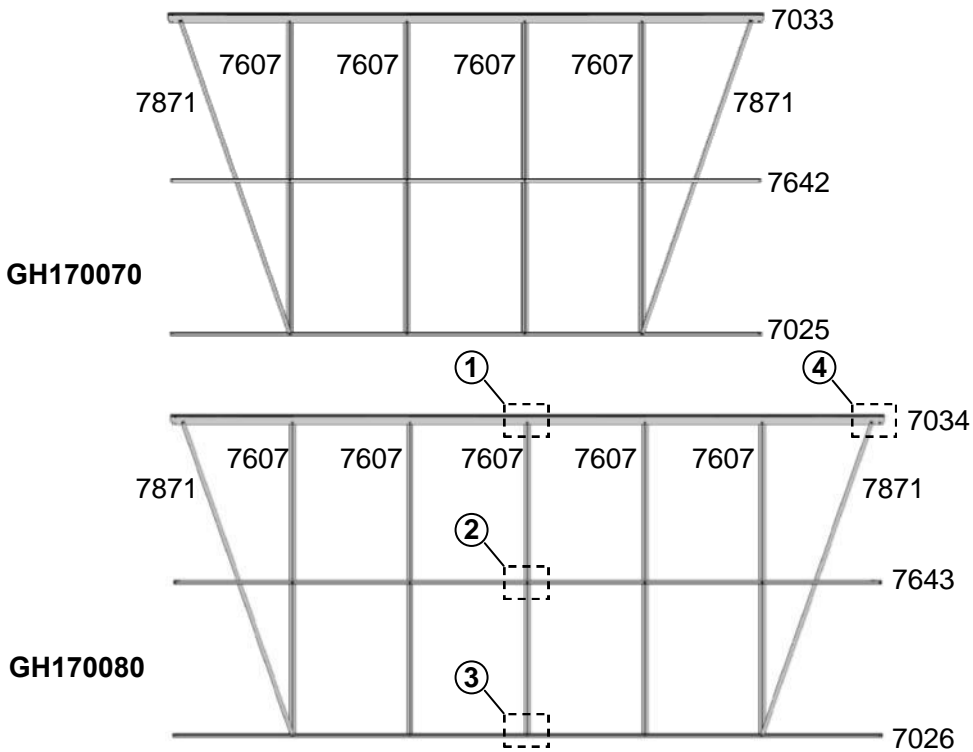
# Gable



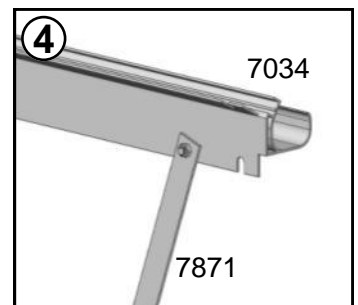
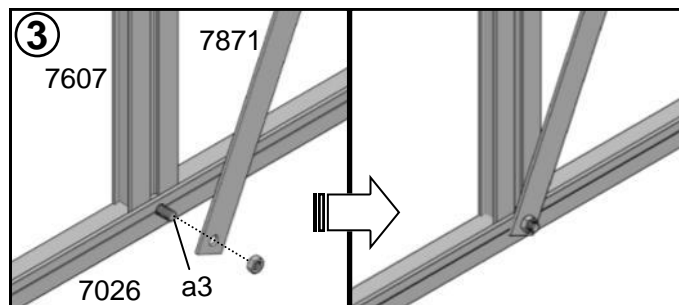
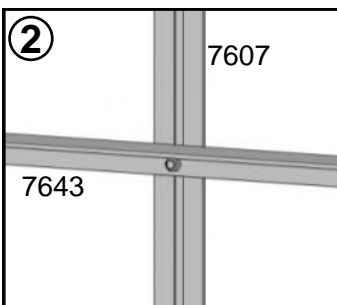


# Side Rear


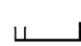
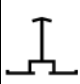

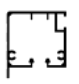


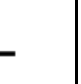
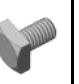
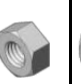




#	7033	7034	7025	7026	7607	7871	7642	7643	a1	a2	a3	a20
Size	3636	4353	3613	4330	1922	2033	3601	4318	M6x10	M6	M6x15	-
GH170070	1		1		4	2	1		16	22	6	22
GH170080		1		1	5	2		1	18	25	7	25

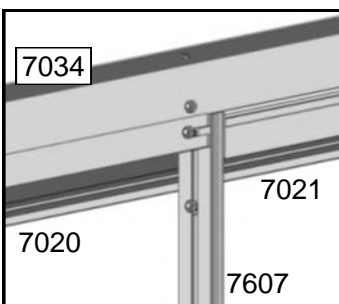
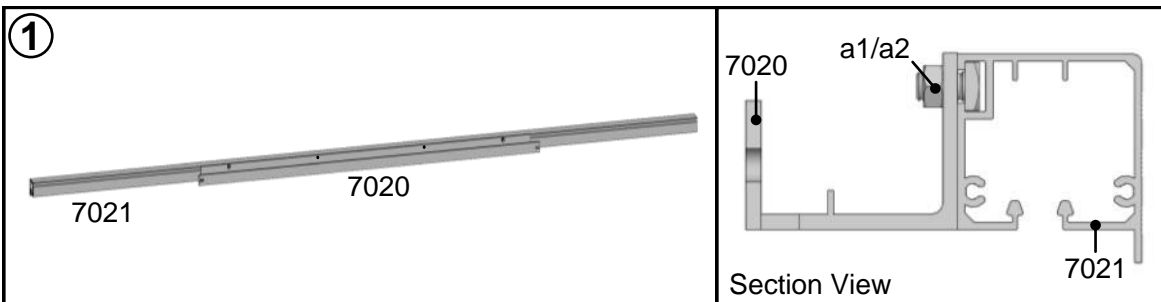
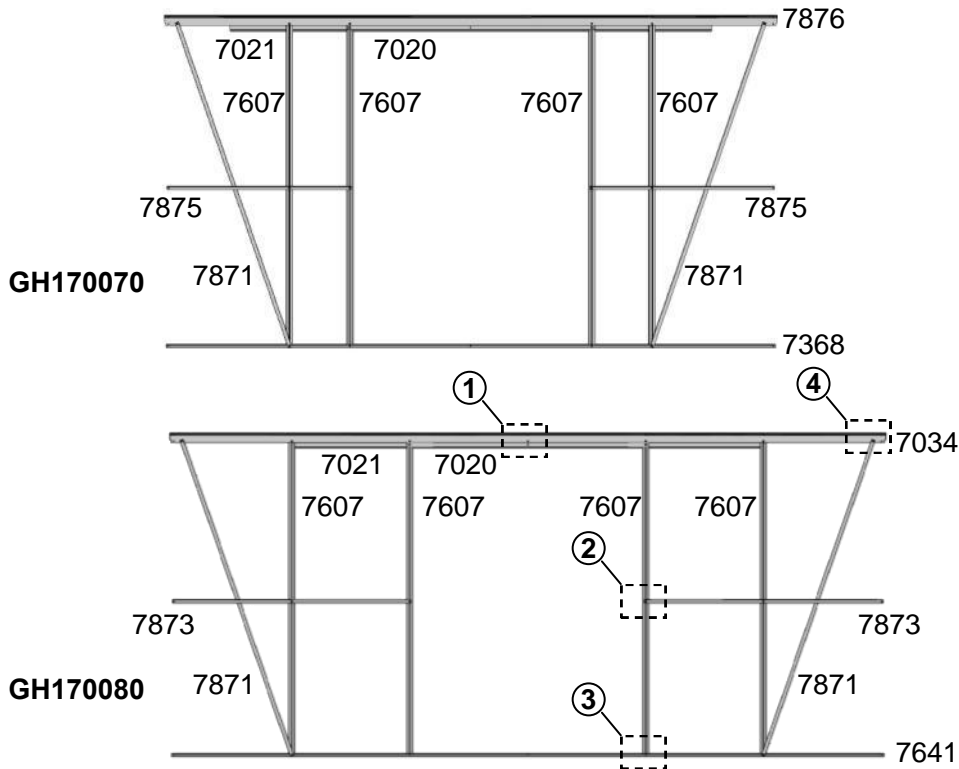


**Note:** Please add extra bolt into channel for eave cantilever use in advance.

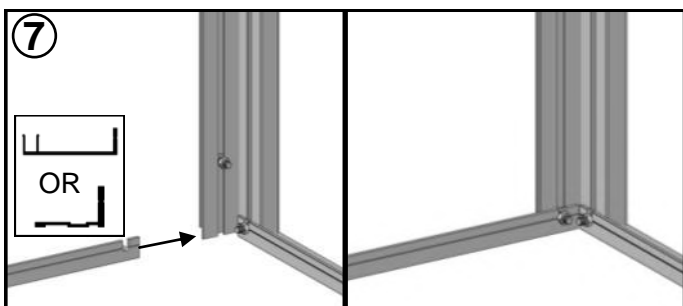
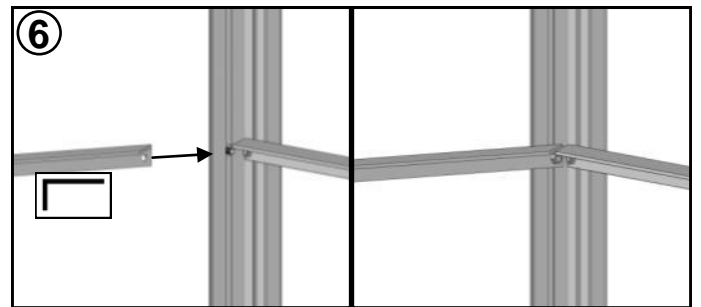
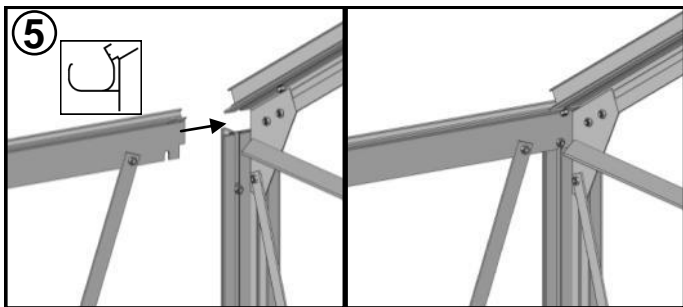
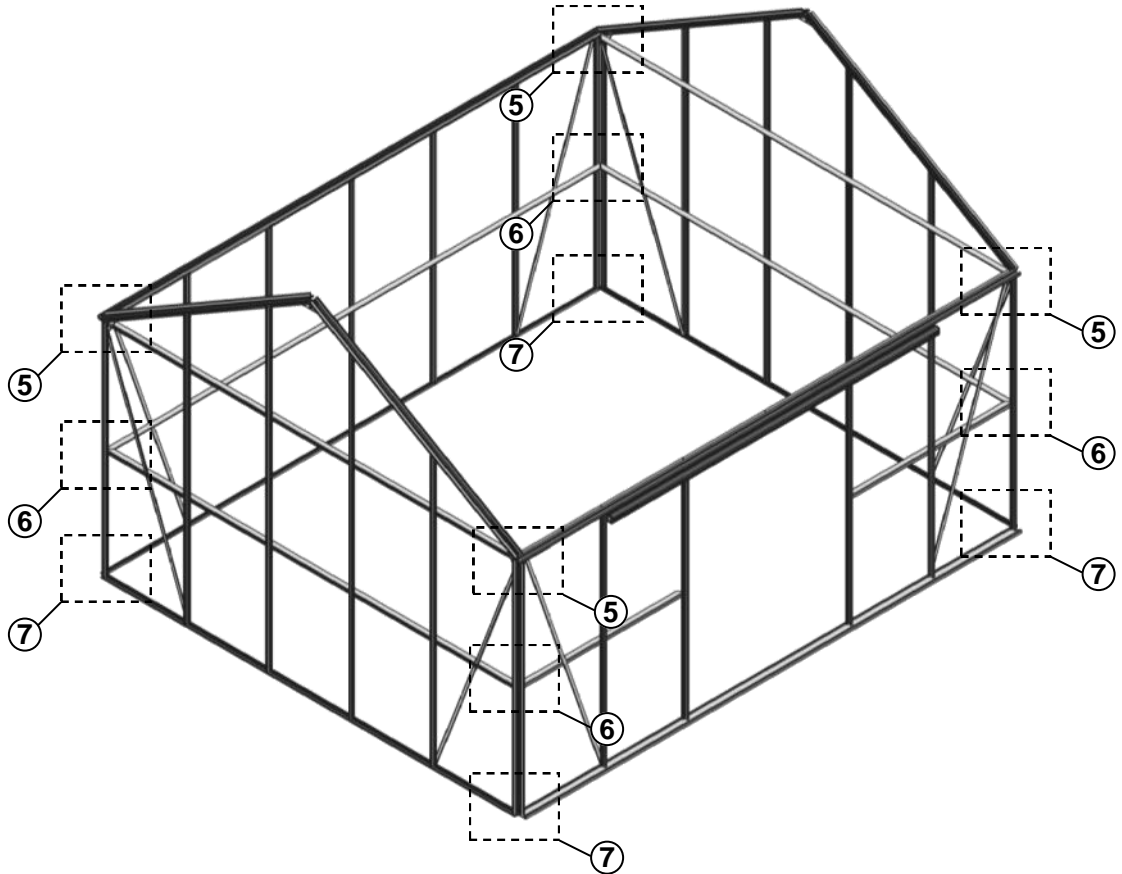
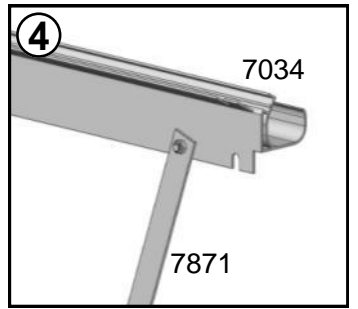
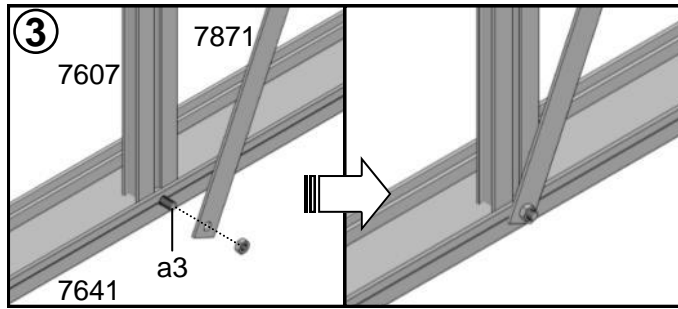
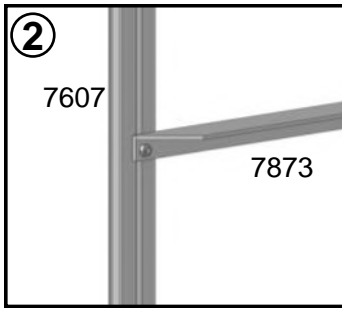


# Side Front










														
#	7876	7034	7368	7641	7607	7020	7021	7871	7873	7875	a1	a2	a3	a20
Size	3636	4353	3613	4330	1922	1456	2856	2033	1450	1092	M6x10	M6	M6x15	-
GH170070	1		1		4	1	1	2		2	22	28	6	28
GH170080		1		1	4	1	1	2	2		22	28	6	28

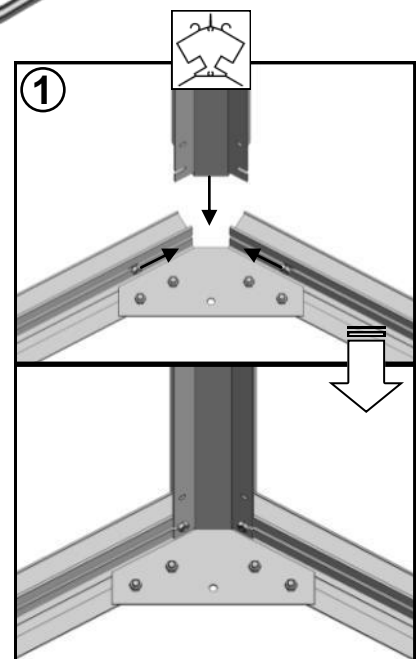
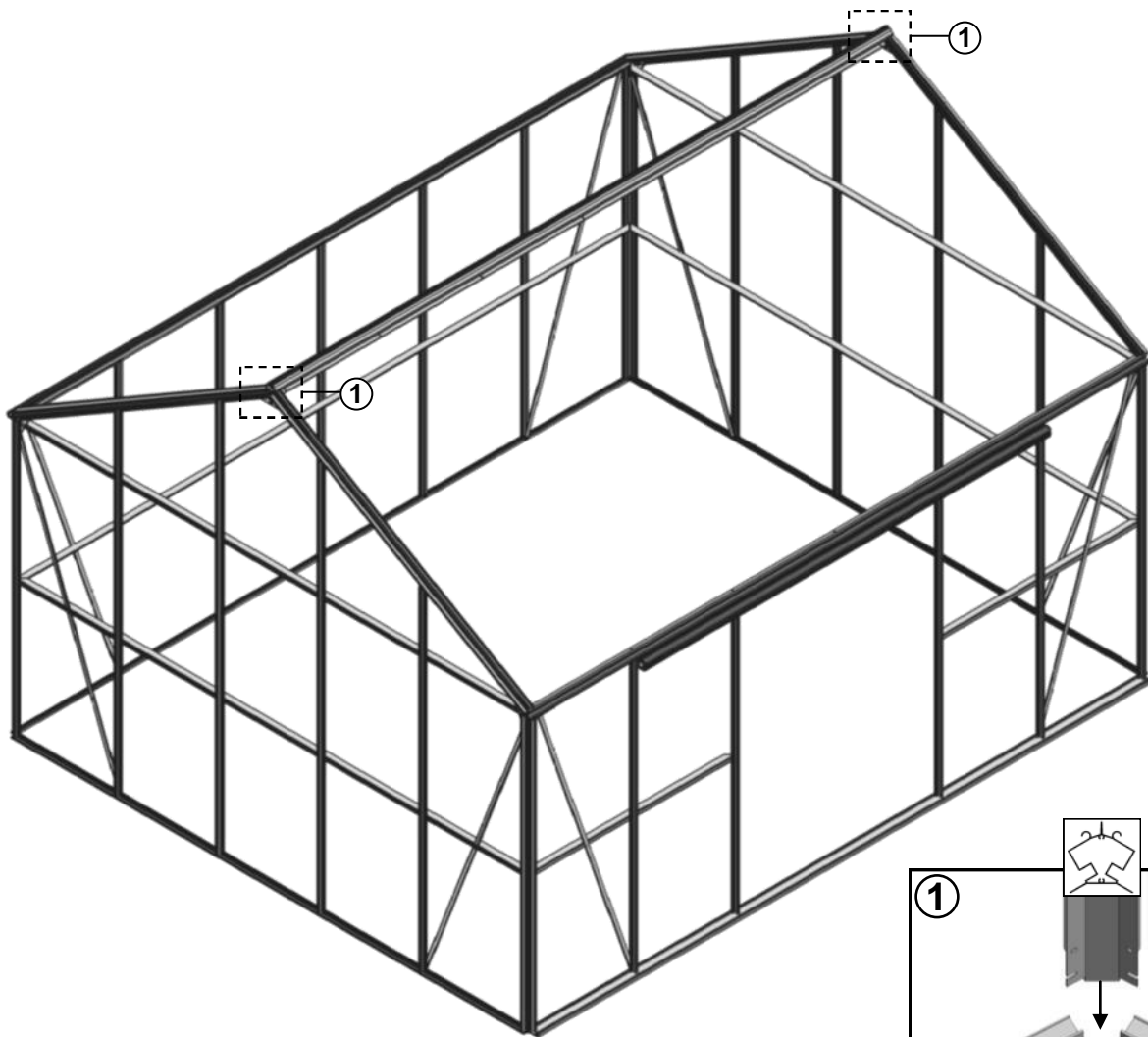


**Note:** Please add extra bolt into channel for eave cantilever use in advance.

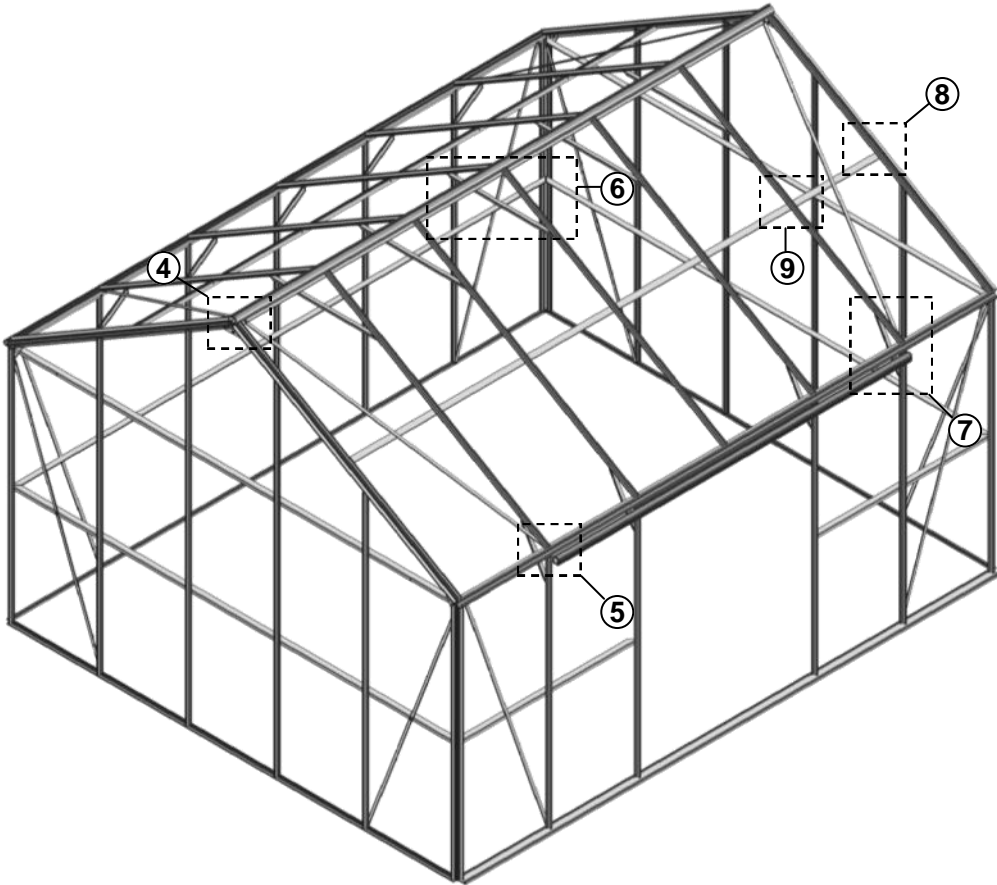
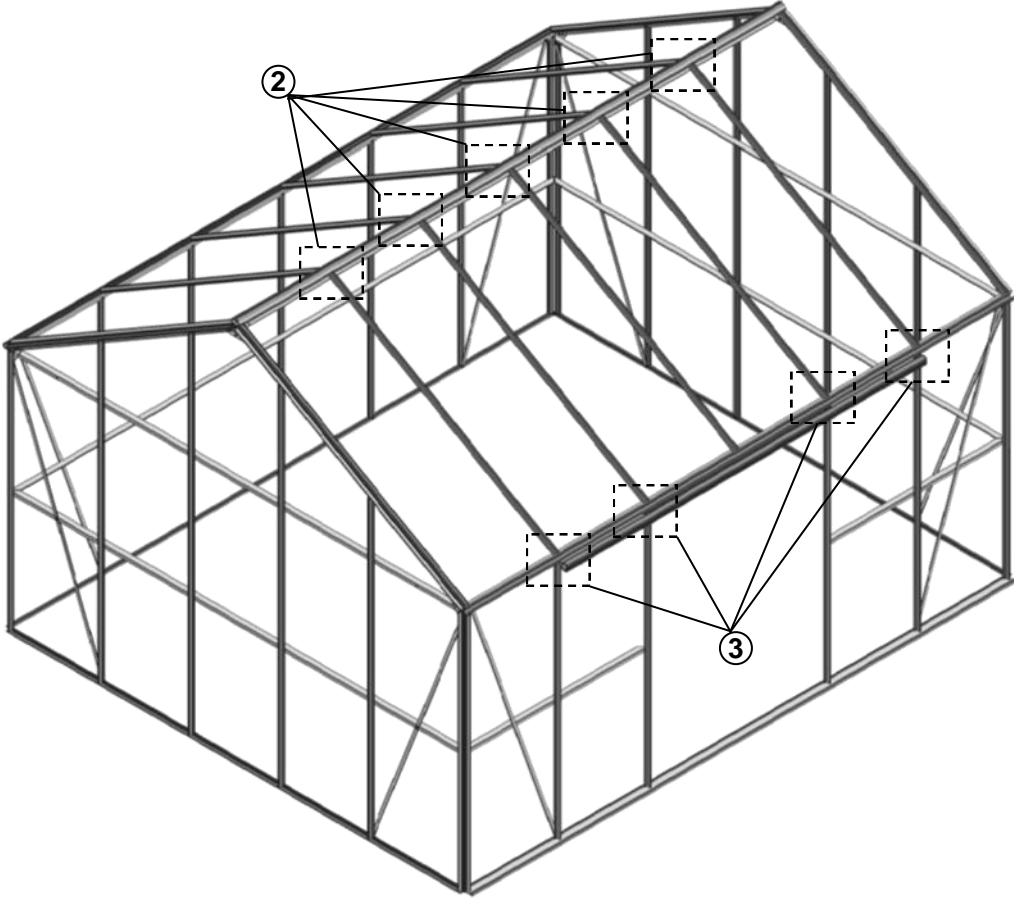


# Roof

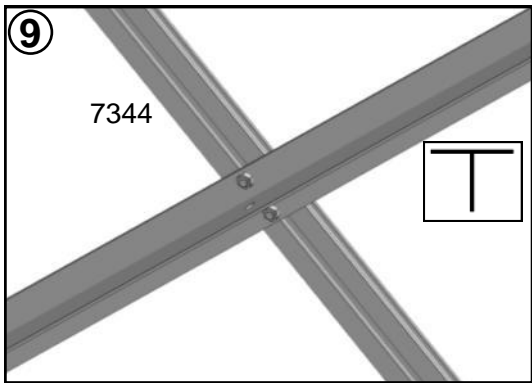
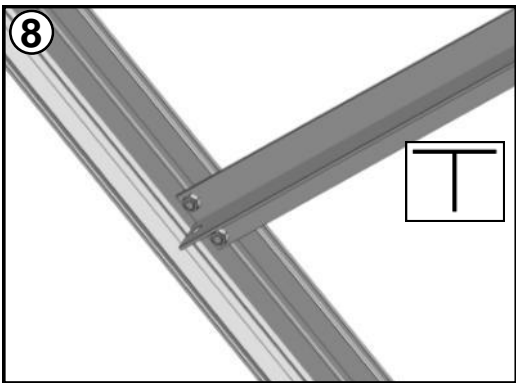
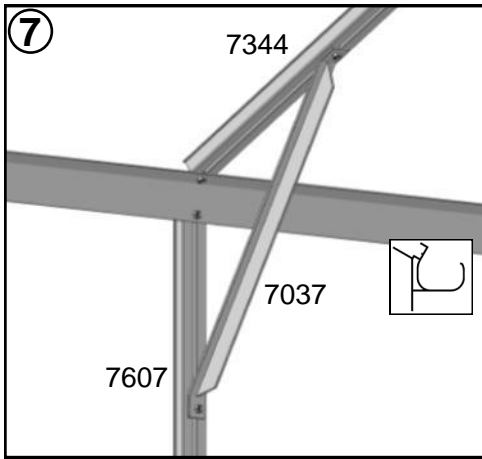
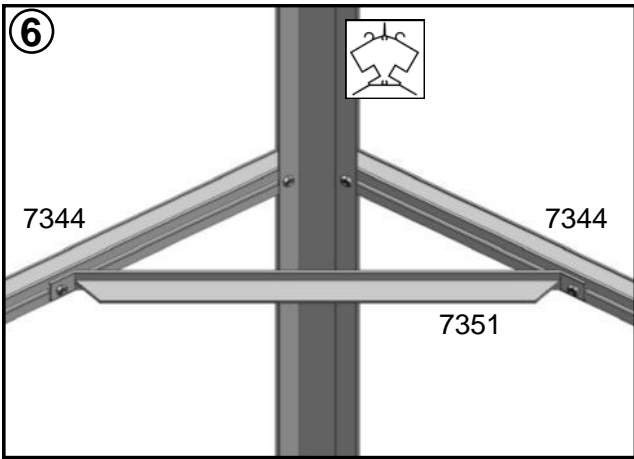
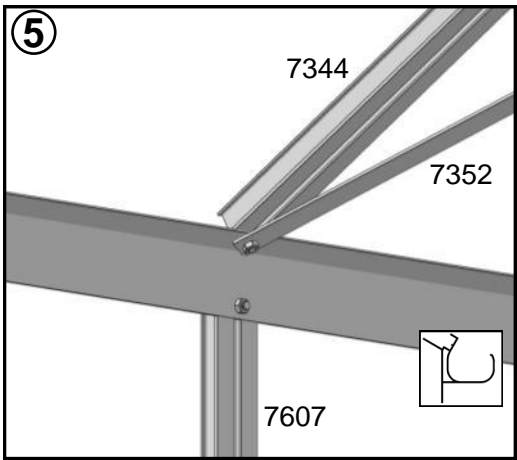
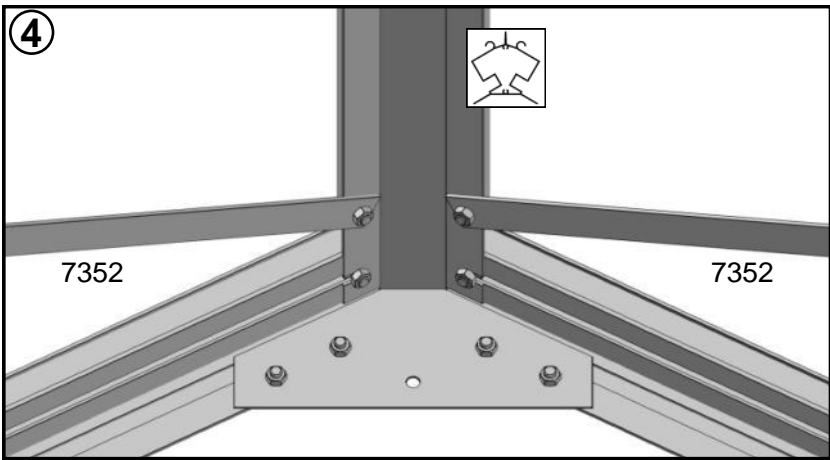
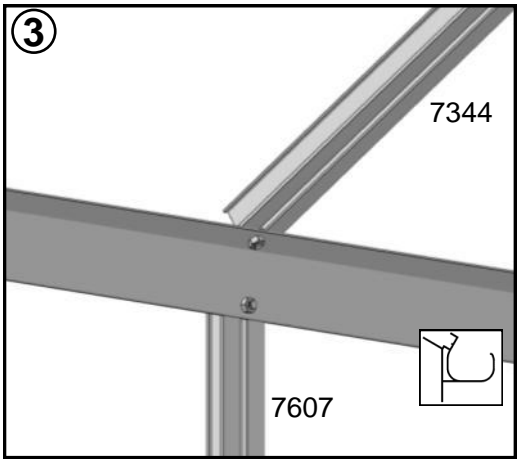
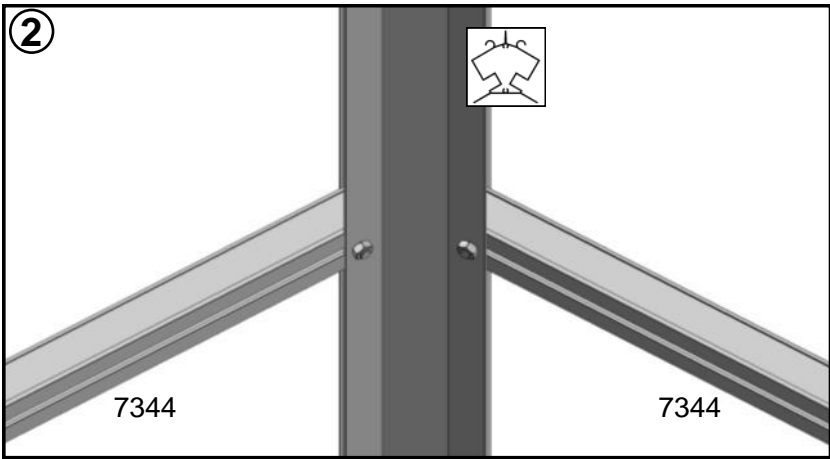
											
#	7041	7042	7344	7048	7049	7037	7351	7352	a1	a2	a20
Size	3636	4353	2070	3600	4317	464	920	2170	M6x10	M6	-
<b>GH170070</b>	1		8	2		6	4	4	68	68	68
<b>GH170080</b>		1	10		2	9	5	4	84	84	84



# Roof



# Roof

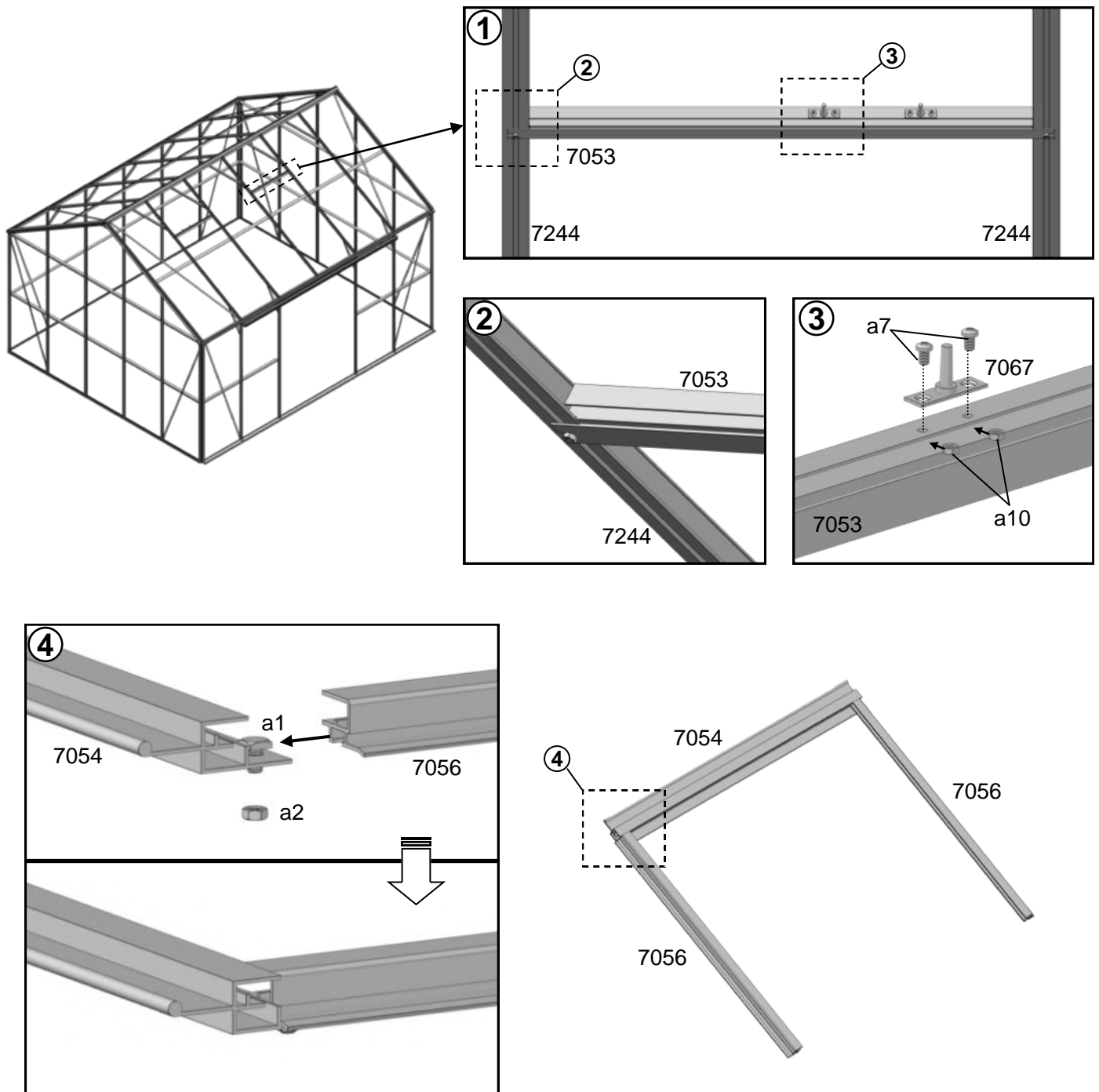


**Note:** Please add extra bolts into channel for ridge & eave cantilevers and hanging basket rail use in advance. At this stage, if you already decide where your roof vent are positioned, please insert an extra bolt into each roof bar either side of a vent opening.

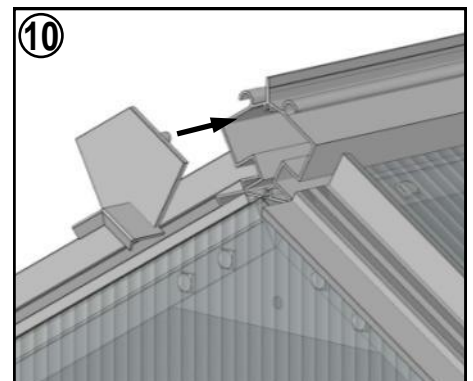
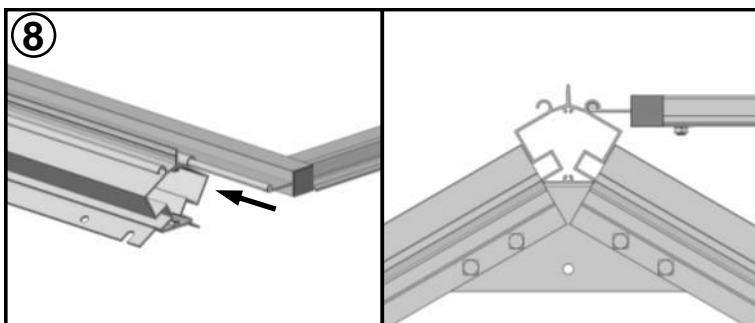
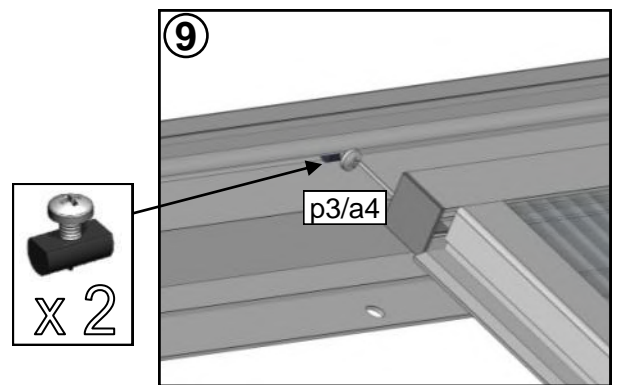
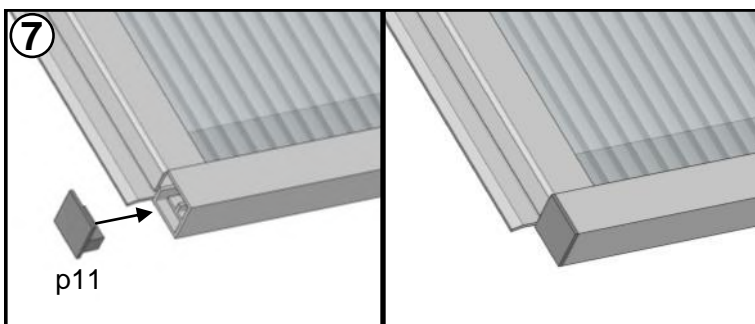
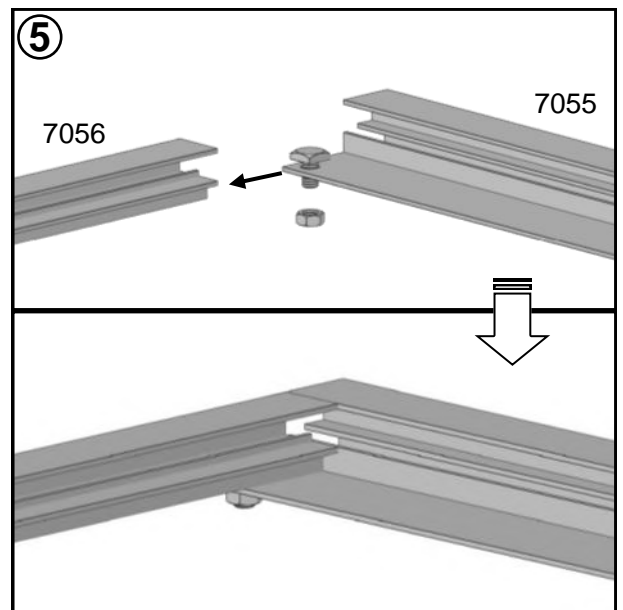
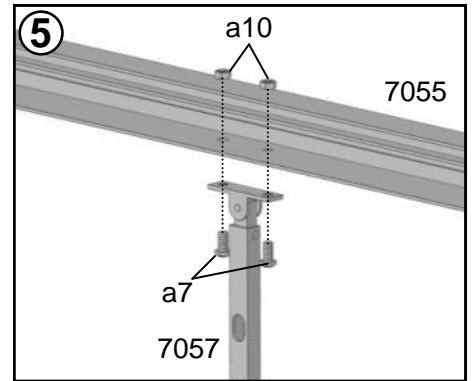
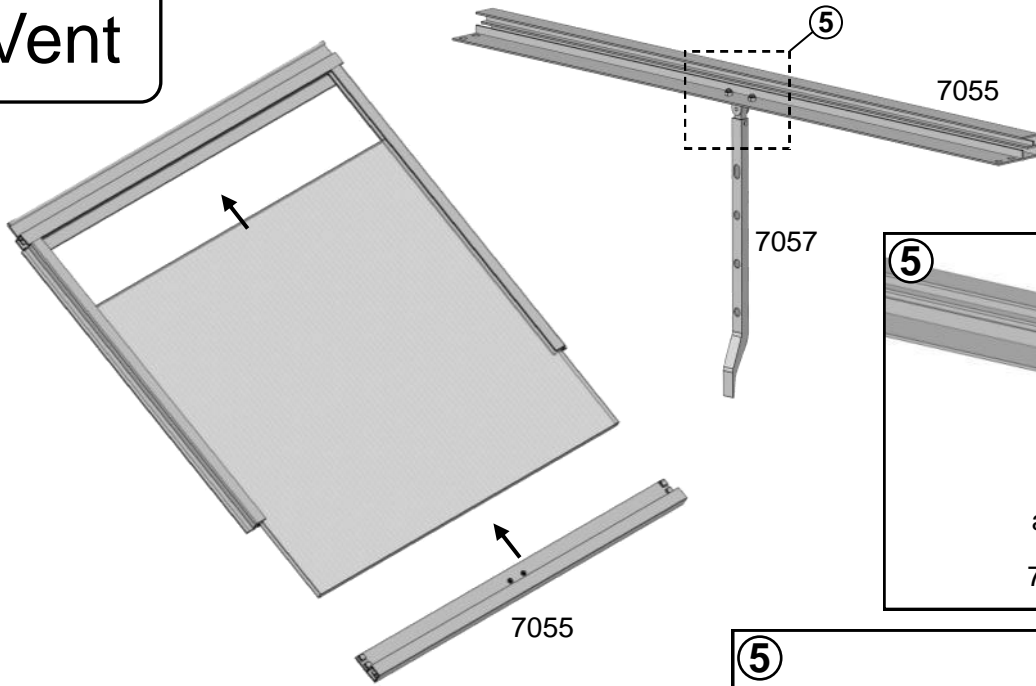
# Vent

#	7053	7054	7055	7056	7057	a1	a2	a4	a7	a10	p3	a20	p11
Size	739	718	701	592	300	M6x10	M6	Φ3.9x8	M4x8	M4	-	-	-
QTY	1	1	1	2	1	6	6	2	2	2	2	6	4

	GH170070	GH170080
Vent No.	4	4



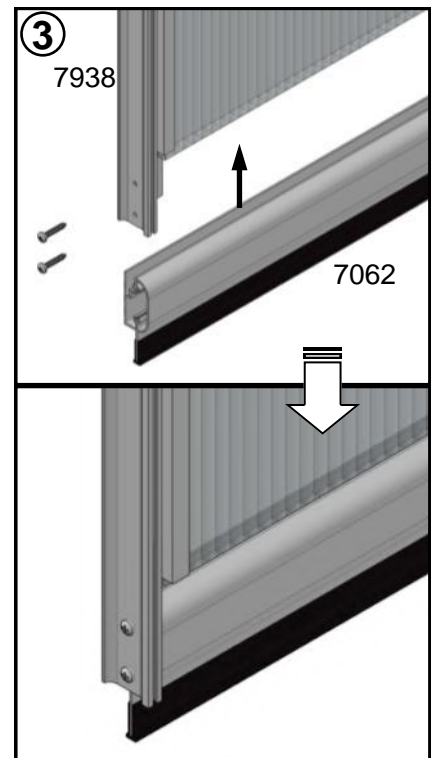
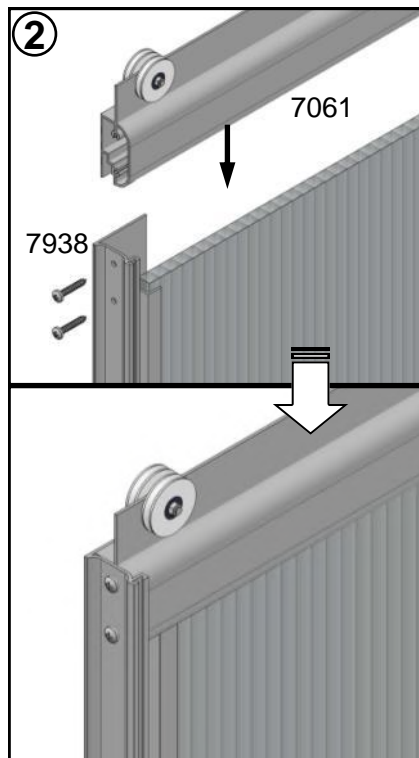
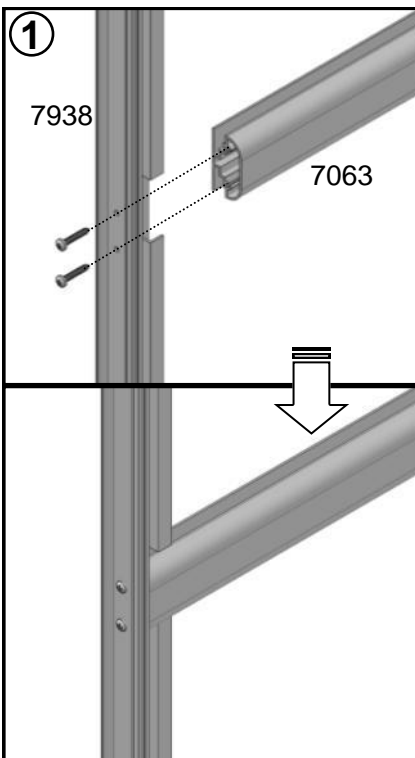
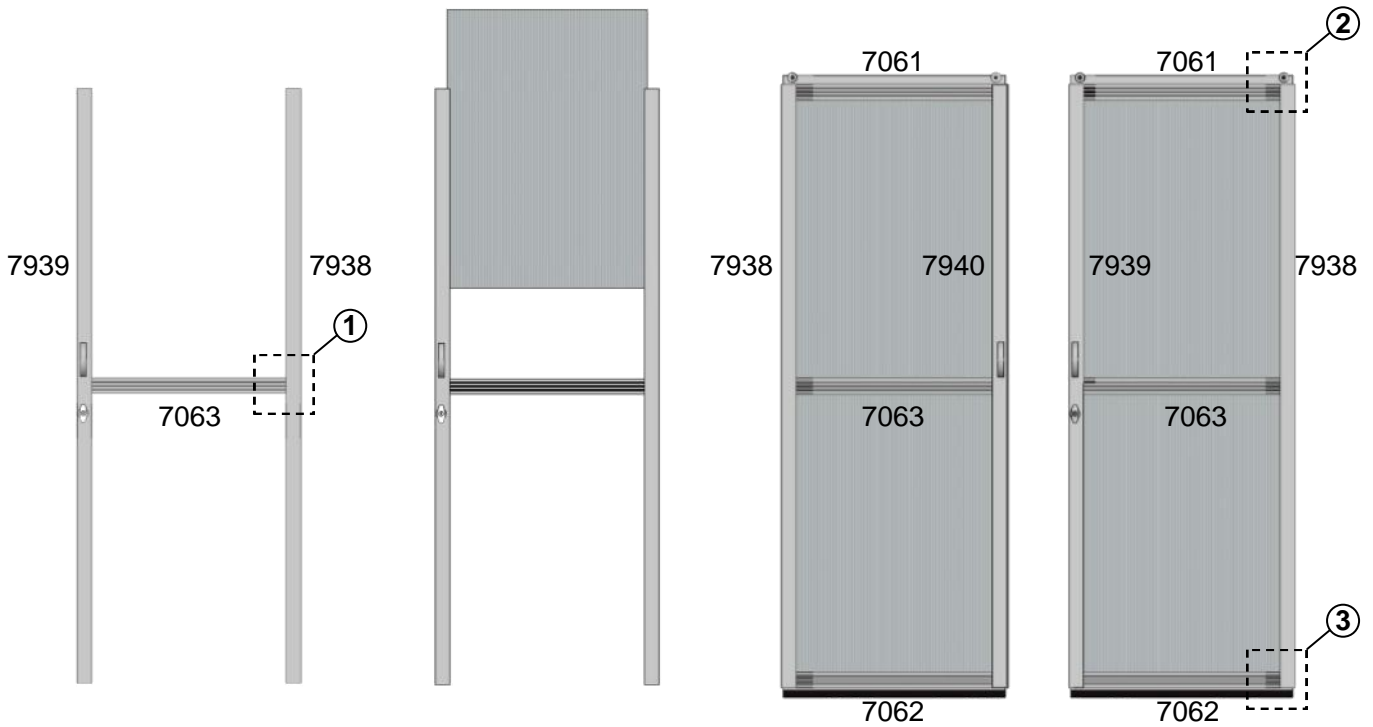
# Vent



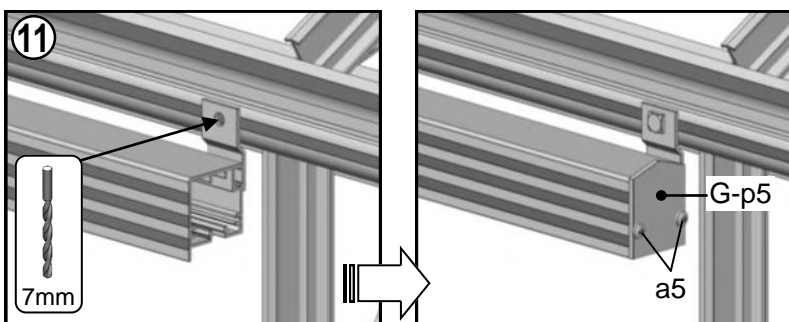
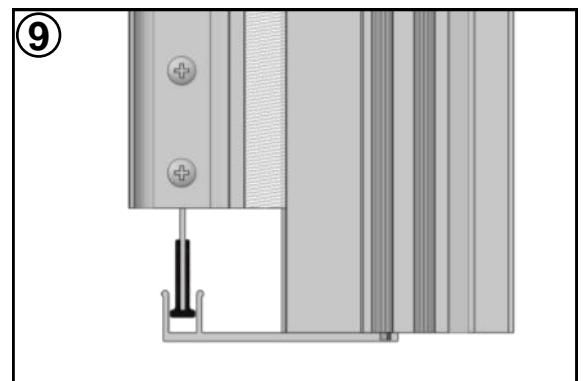
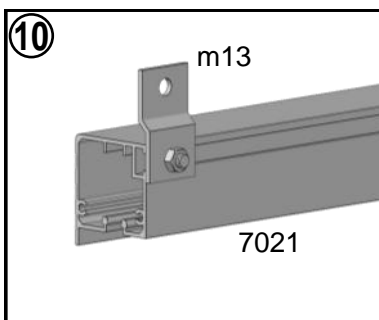
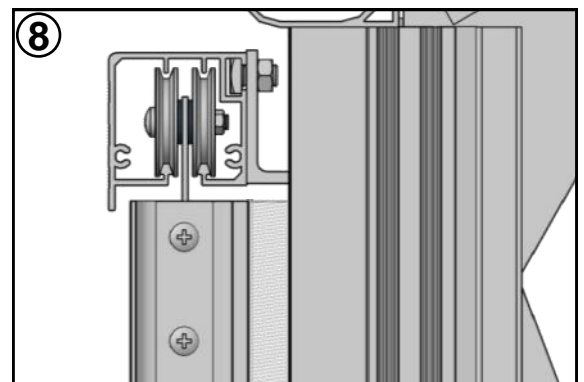
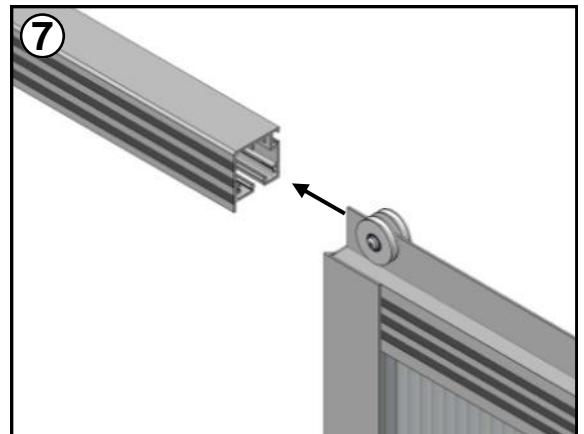
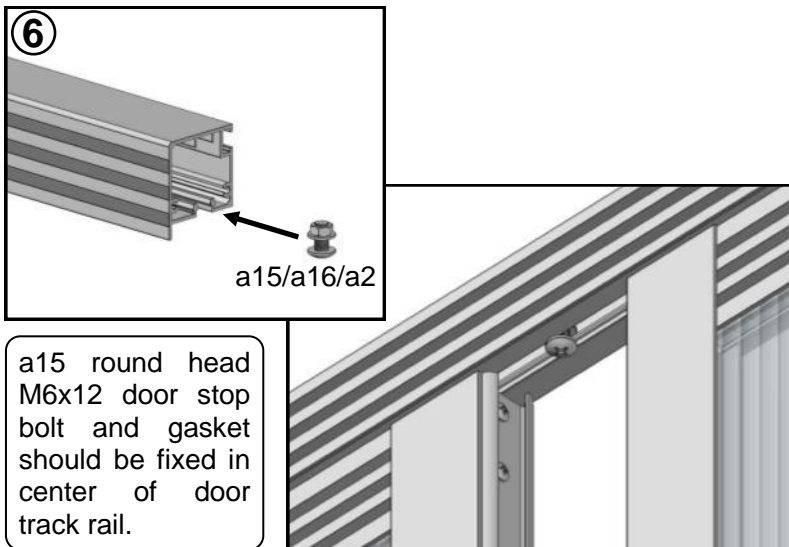
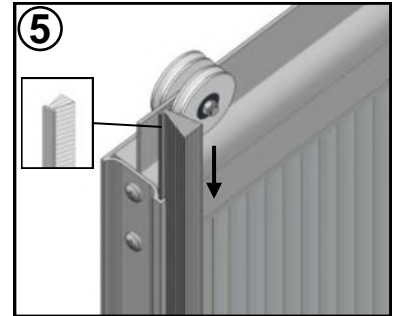
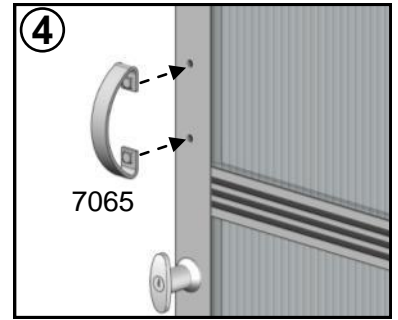
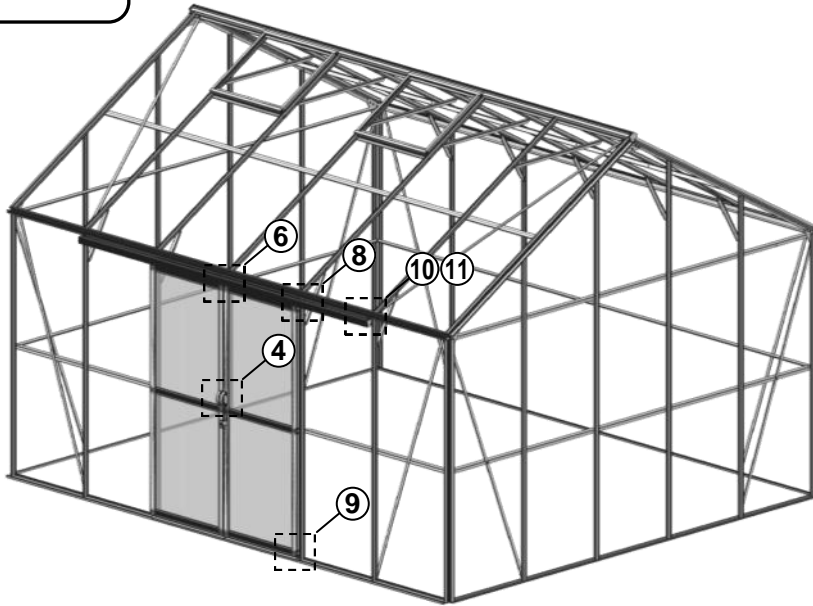


# Door

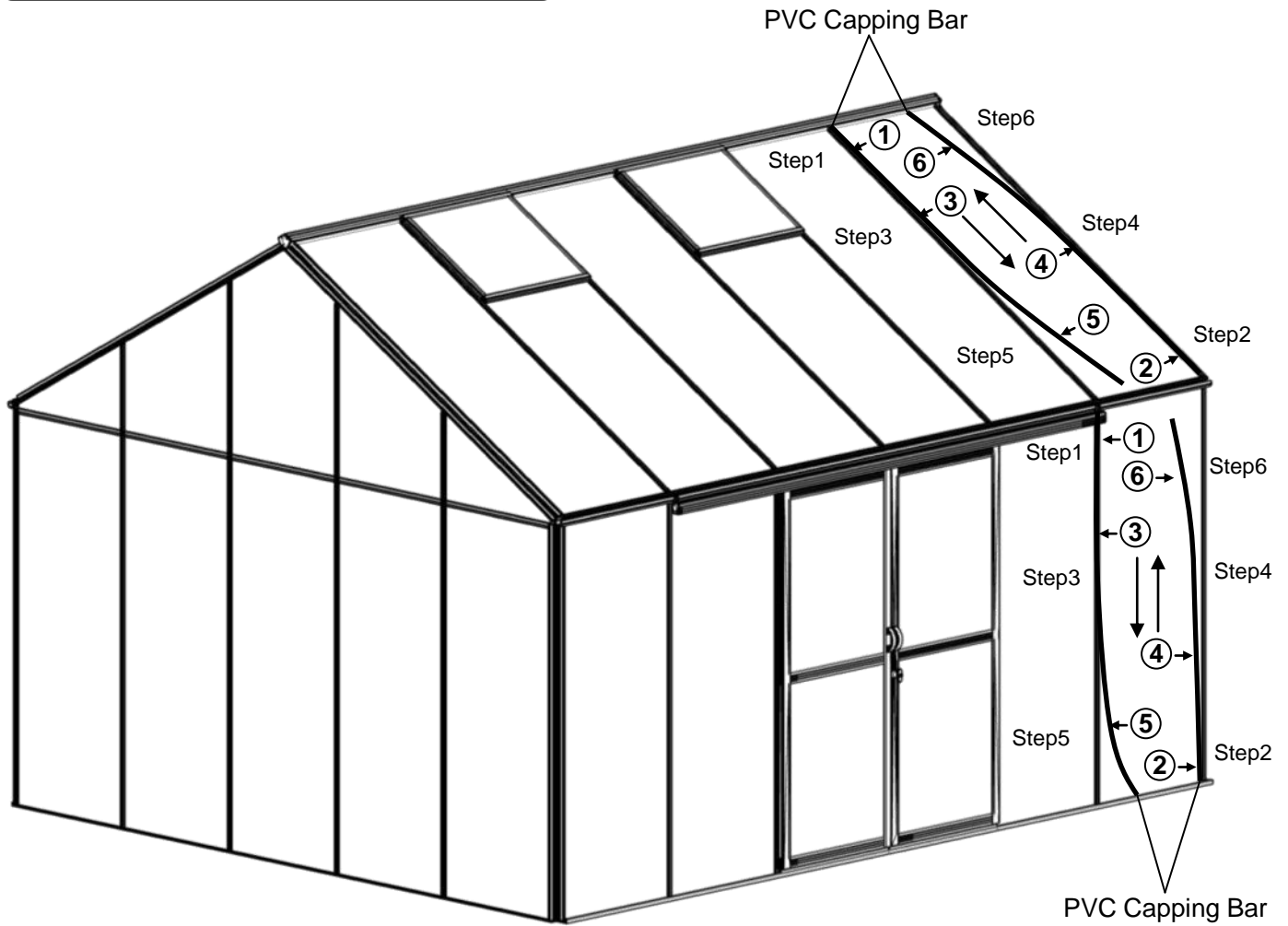
#	7938	7939	7940	7061	7062	7063	7065	a1	a2	a5	a15	a16	a20	m13	G-p5	FLUFF
Size	1838	1838	1838	715	715	715	-	M6x10	M6	Φ3.5x19	M6x12	Φ6	-	-	-	1838
QTY	2	1	1	2	2	2	2	8	9	28	1	1	9	2	2	2



# Door



# PVC Capping Bar

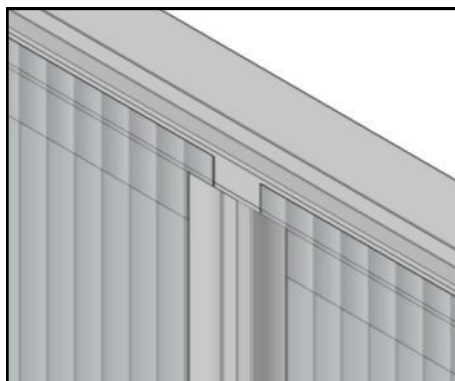
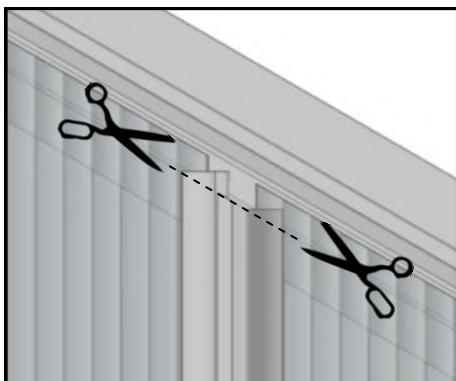


## Note:

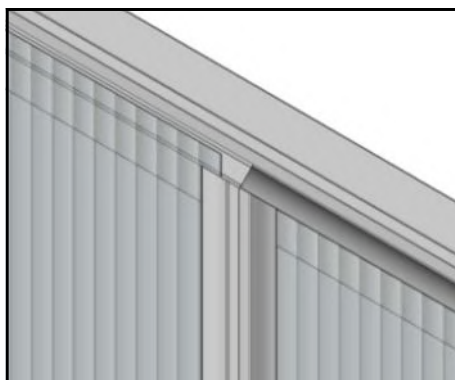
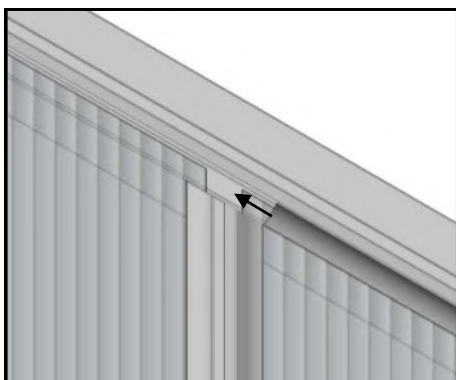
PVC capping bars were pushed in place from both top and bottom in diagonal direction together.

If you assemble it from one side by one side, you will feel space is too tight to assemble another PVC capping bar.

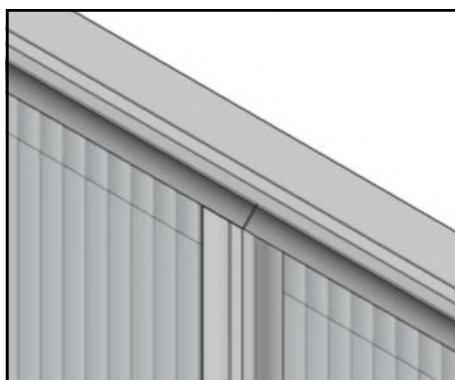
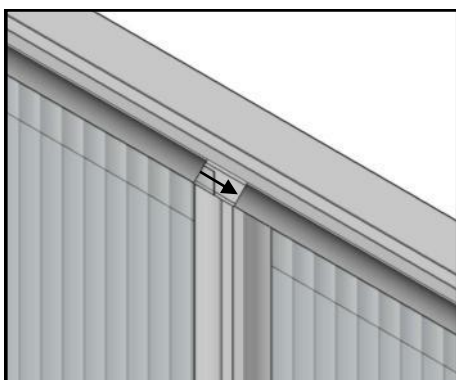
# PVC Capping Bar



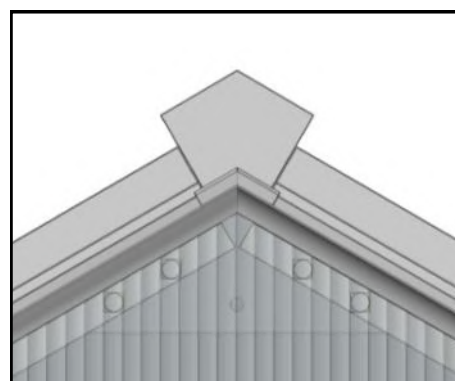
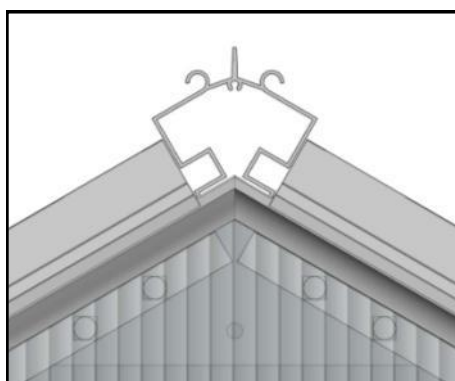
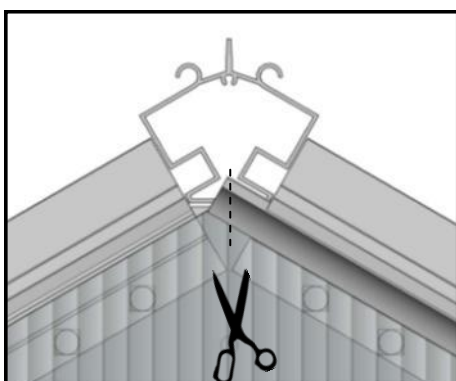
Please trim vertical PVC capping bar which exceeding Alu. Profile.



Sliding slope PVC capping bar into Alu. Profile gap.

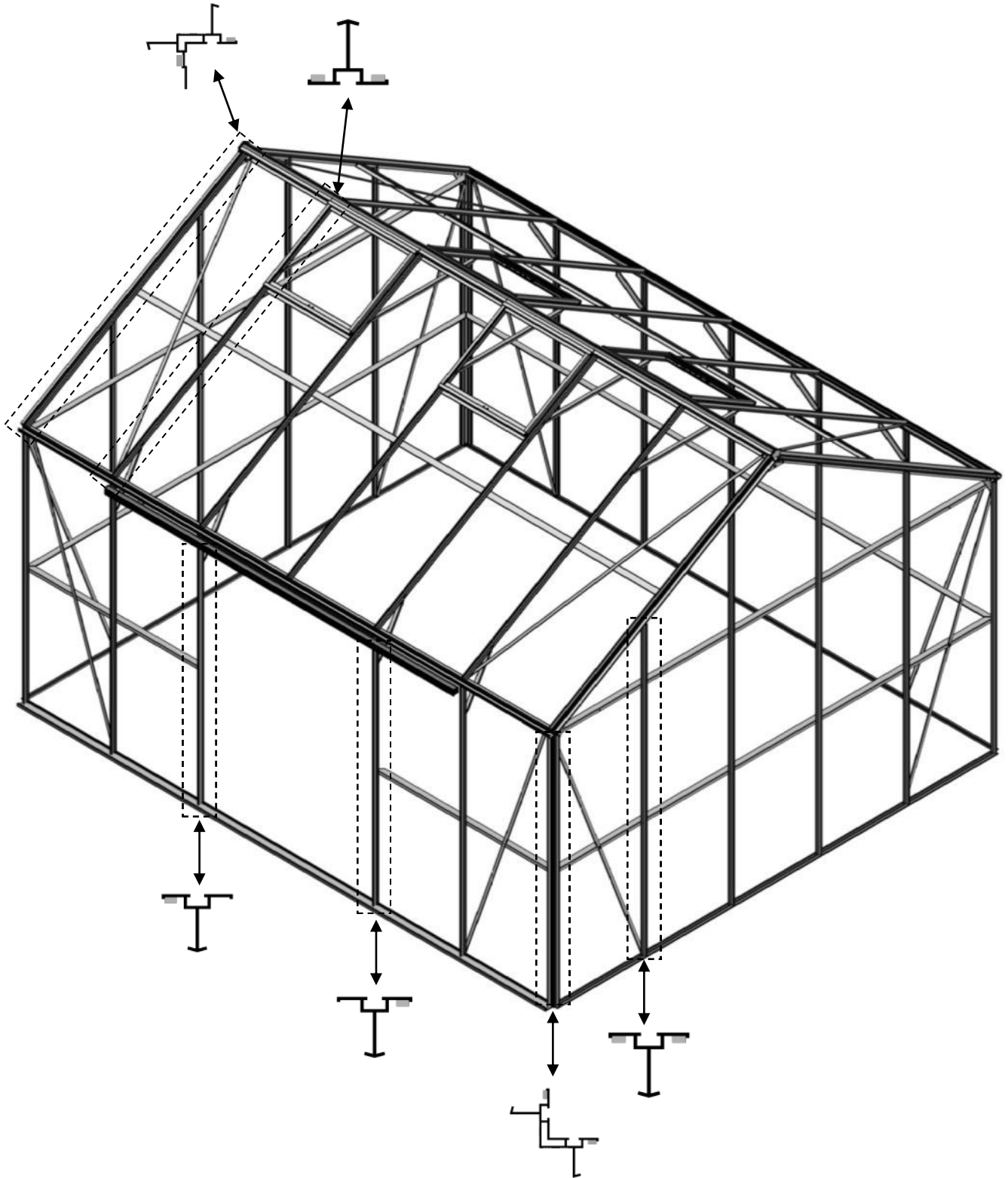
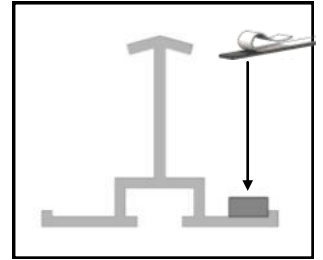


Two slope PVC capping bar connect together without gap.

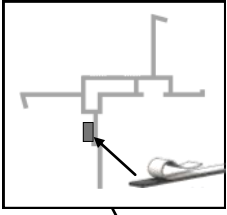
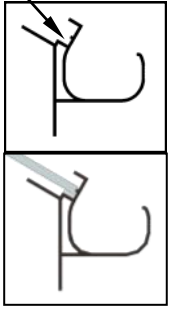


Please trim two slope PVC capping bar edge on top end and make them connect without gap.

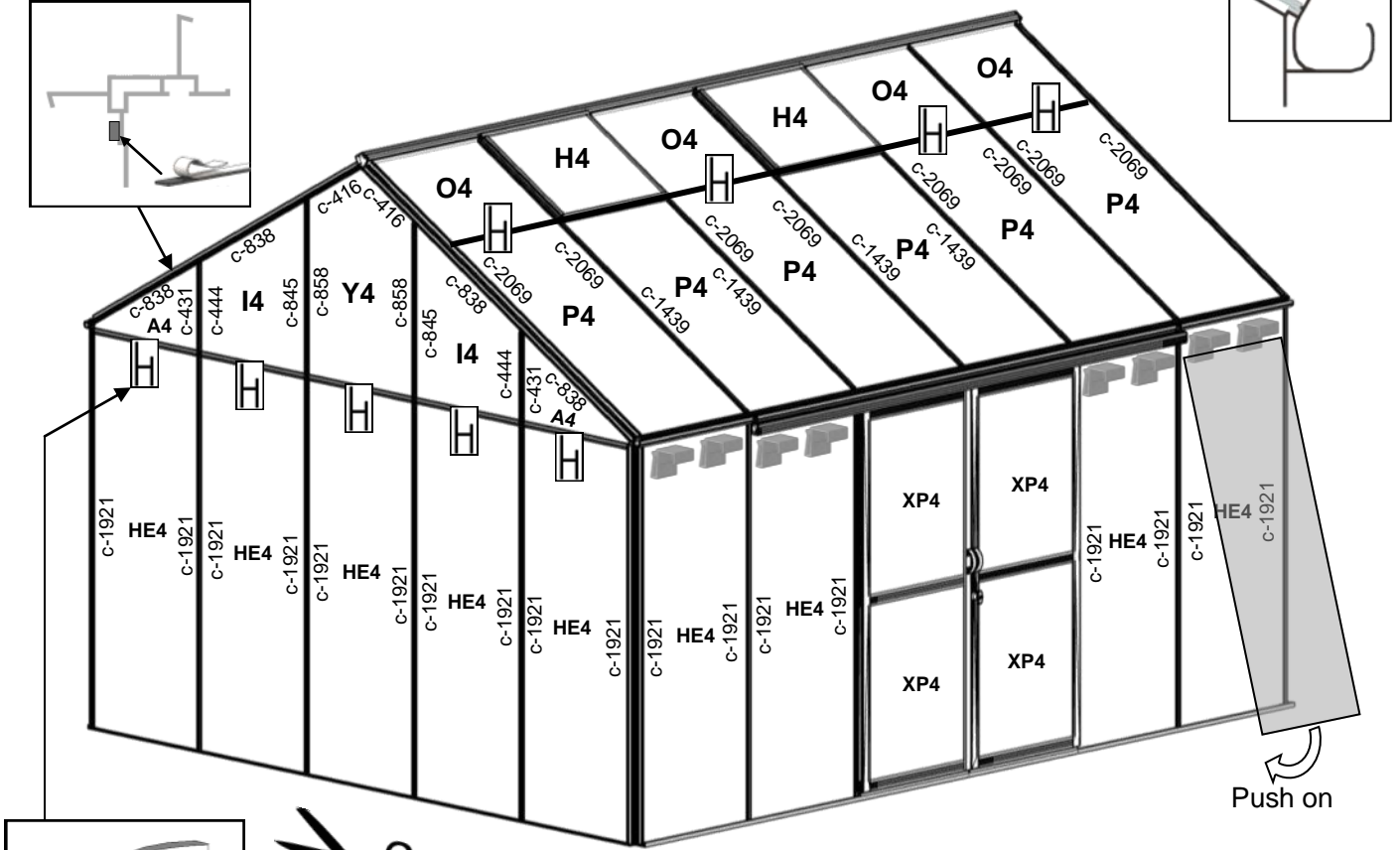
4mm Glass



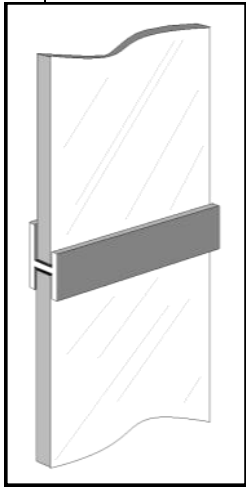
# 4mm Glass



Push on







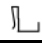

If you feel PVC size not correct, please use scissors to cut it.

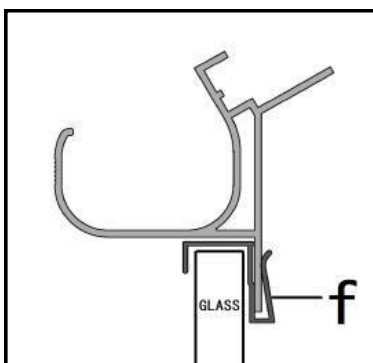
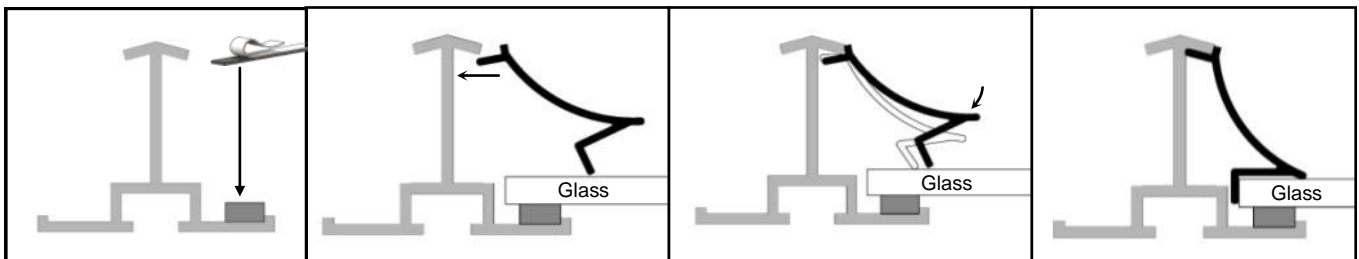


O4	H4	O4	H4	O4	O4
c-2069	c-2069	c-1439	c-1439	c-2069	c-2069
P4	P4	P4	P4	P4	P4
c-1921	c-1921	c-1921	c-1921	c-1921	c-1921
HE	HE	HE	HE	HE	HE
c-1921	c-1921	c-1921	c-1921	c-1921	c-1921

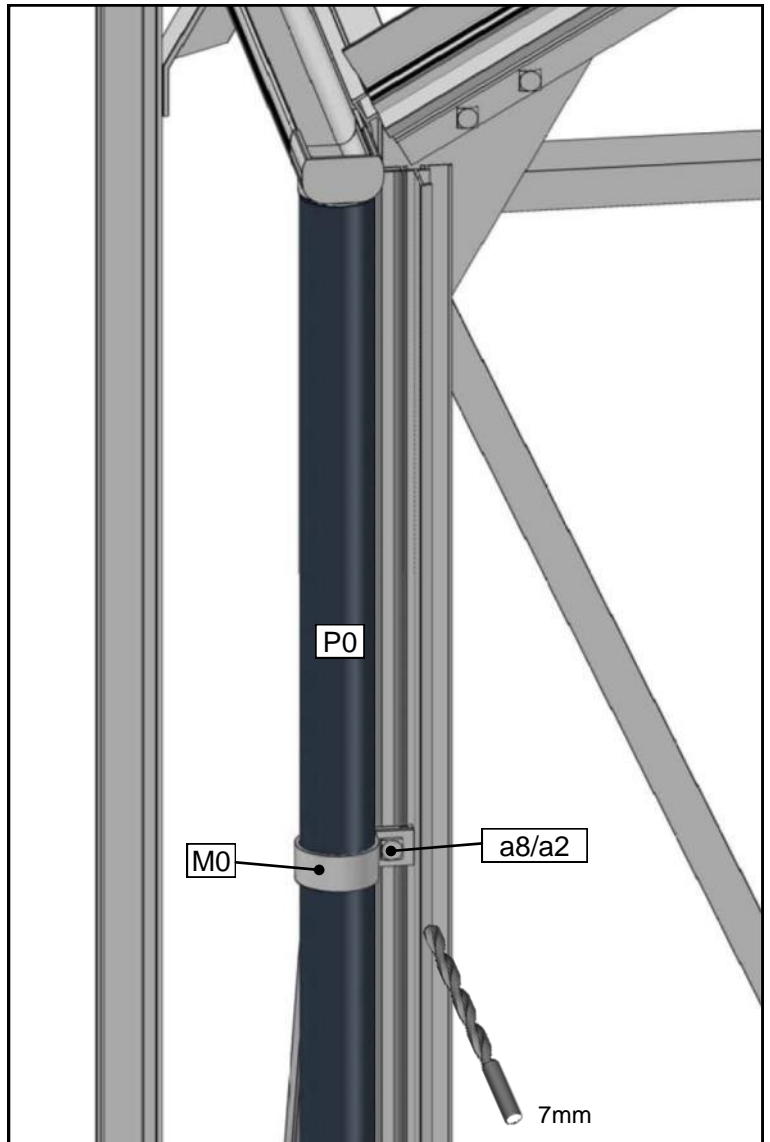
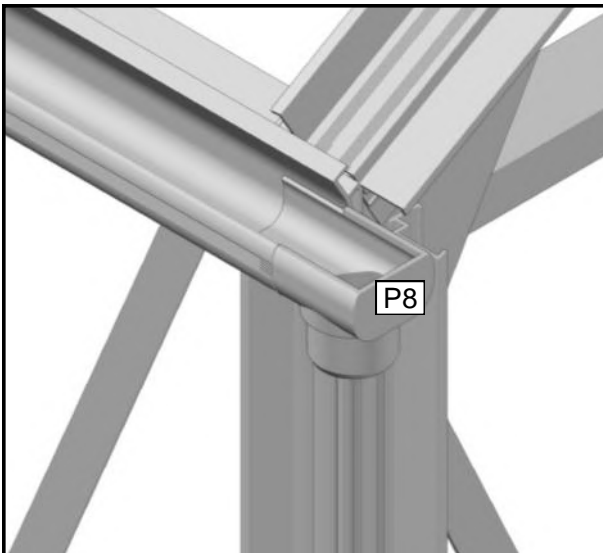
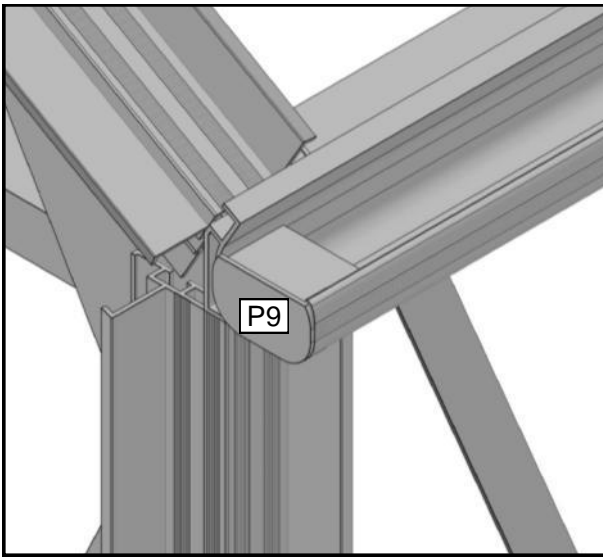
# 4mm Glass

#	Size	GH170070	GH170080
A4	700 x 35 / 438	4	4
XP4	650 x 883	4	4
HE4	700 x 1919	17	20
XA4	341x1919	2	
H4	700 x 631	4	4
I4	700 x 448 / 852	4	4
Y4	700 x 862 / 1061 / 862 / 14	2	2
O4	700 x 628	6	8
P4	700 x 1451	10	12
H	678	16	18
	5 meter	27 roll	29 roll
	Silicone 	3	3

		DWG	Length	GH170070	GH170080			DWG	Length	GH170070	GH170080			
Gable	c		416	4	4	Side	c		1921	18	20			
			431	4	4				f		16	16	20	
			444	4	4	Roof	c		2069	12	16			
			838	8	8				1439	8	8			
			845	4	4									
						858	4	4						
						1921	20	20						

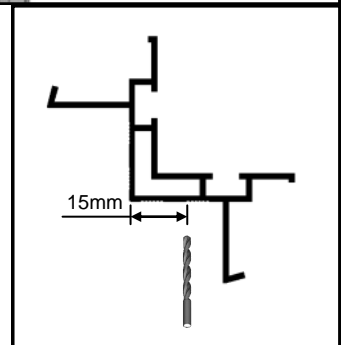


# Downpipe



**Note:**

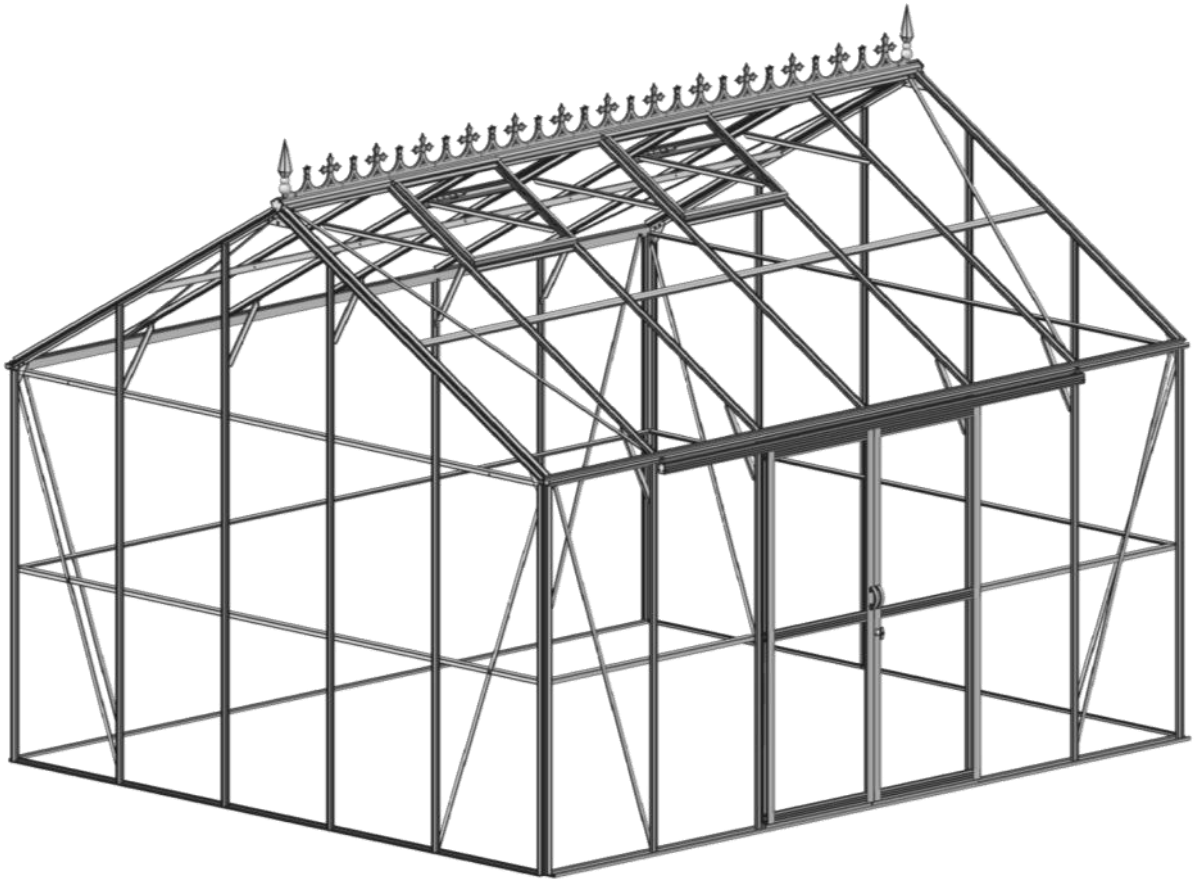
1. For a better seal you could run a bead of silicone around the inside edge of the gutter before inserting the outlet and stop end.
2. Drill a 7mm pilot hole with distance of 15mm from edge, using bolt and nut to fix the downpipe and bracket to the corner bar.
3. Push the 45 degree collar onto the end of the downpipe to direct the flow of water.
4. You could cut downpipe by yourself according to specific requirement.



#	P8	P9	M0	P1	P0	a8	a2	a20
mm					1800	M6x16	M6	-
QTY	2	2	2	2	2	2	2	2



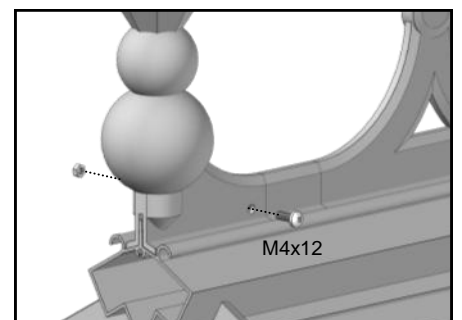
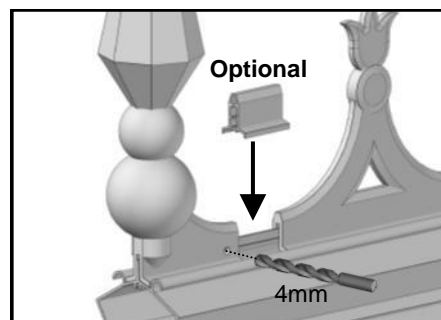
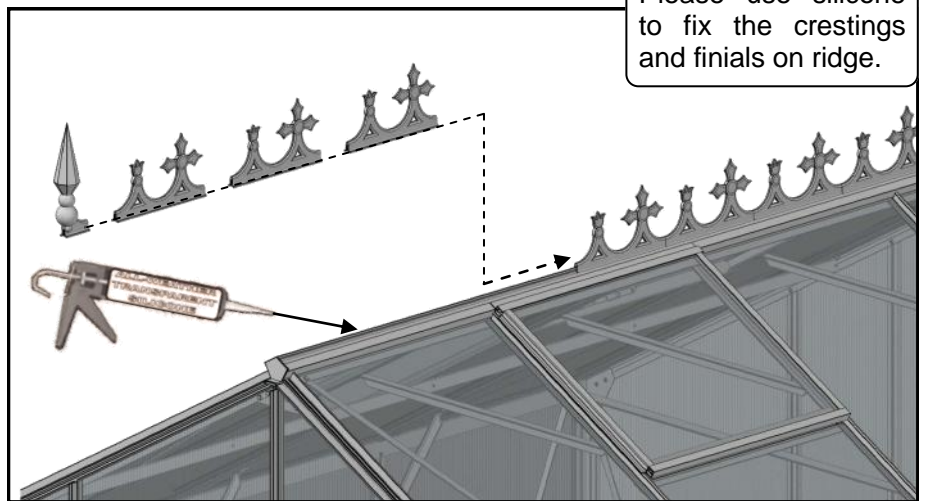
# Optional Cresting and Finials



## CAUTION:



Once finial in position, please immediately drill a 4mm hole on ridge and **fix** finial with M4x12 bolt and nut to avoid finial falling off to injure people.



# The list of parts

	Description	<b>GH170070</b>	<b>GH170080</b>
1	Gable	2	2
2	Side Front	1	1
3	Side Rear	1	1
4	Roof	1	1
5	Vent	4	4
6	Door	1	1
7	Glass	1	1
8	Base connector	1	1
9	Tools	1	1
10	Assembly Instruction	1	1

## Contact information

Austria



Belgium



Croatia



Denmark



Estonia



Finland



France



Germany



Ireland



Italy



Latvia



Lithuania



Nederland



Norway



Poland



Portugal



Spain



Sweden



Switzerland



UK

